



Please note that Cypress is an Infineon Technologies Company.

The document following this cover page is marked as “Cypress” document as this is the company that originally developed the product. Please note that Infineon will continue to offer the product to new and existing customers as part of the Infineon product portfolio.

Continuity of document content

The fact that Infineon offers the following product as part of the Infineon product portfolio does not lead to any changes to this document. Future revisions will occur when appropriate, and any changes will be set out on the document history page.

Continuity of ordering part numbers

Infineon continues to support existing part numbers. Please continue to use the ordering part numbers listed in the datasheet for ordering.

32-bit Arm® Cortex®-M4F Microcontroller Traveo™ II Family

General Description

CYT2B7 is a family of Traveo™ II microcontrollers targeted at automotive systems such as body control units. CYT2B7 has an Arm® Cortex®-M4 CPU for primary processing, and an Arm Cortex-M0+ CPU for peripheral and security processing. These devices contain embedded peripherals supporting Controller Area Network with Flexible Data rate (CAN FD), and Local Interconnect Network (LIN). Traveo II devices are manufactured on an advanced 40-nm process. CYT2B7 incorporates Cypress' low-power flash memory, multiple high-performance analog and digital peripherals, and enables the creation of a secure computing platform.

Features

■ Dual CPU Subsystem

- 160-MHz (max) 32-bit Arm Cortex-M4F CPU with
 - Single-cycle multiply
 - Single-precision floating point unit (FPU)
 - Memory Protection Unit (MPU)
- 100-MHz (max) 32-bit Arm Cortex M0+ CPU with
 - Single-cycle multiply
 - Memory Protection Unit
- Inter-processor communication in hardware
- Three DMA controllers
 - Peripheral DMA controller #0 (P-DMA0) with 89 channels
 - Peripheral DMA controller #1 (P-DMA1) with 33 channels
 - Memory DMA controller #0 (M-DMA0) with 4 channels

■ Integrated Memories

- 1088 KB of code-flash with an additional 96 KB of work-flash
 - Read-While-Write (RWW) allows updating the code-flash/work-flash while executing from it
 - Single- and dual-bank modes (specifically for Firmware update Over The Air [FOTA])
 - Flash programming through SWD/JTAG interface
- 128 KB of SRAM with selectable retention granularity

■ Crypto Engine^[1]

- Supports Enhanced Secure Hardware Extension (eSHE) and Hardware Security Module (HSM)
- Secure boot and authentication
 - Using digital signature verification
 - Using fast secure boot
- AES: 128-bit blocks, 128-/192-/256-bit keys
- 3DES^[2]: 64-bit blocks, 64-bit key
- Vector unit^[2] supporting asymmetric key cryptography such as Rivest-Shamir-Adleman (RSA) and Elliptic Curve (ECC)
- SHA-1/2/3^[2]: SHA-512, SHA-256, SHA-160 with variable length input data
- CRC^[2]: supports CCITT CRC16 and IEEE-802.3 CRC32
- True random number generator (TRNG) and pseudo random number generator (PRNG)
- Galois/Counter Mode (GCM)

■ Functional Safety for ASIL-B

- Memory protection unit (MPU)
- Shared memory protection unit (SMPU)
- Peripheral protection unit (PPU)

- Watchdog timer (WDT)
- Multi-counter watchdog timer (MCWDT)
- Low-voltage detector (LVD)
- Brown-out detector (BOD)
- Overvoltage detection (OVD)
- Clock supervisor (CSV)
- Hardware error correction (SECDED ECC) on all safety-critical memories (SRAM, flash)

■ Low-Power 2.7-V to 5.5-V Operation

- Low-power Active, Sleep, Low-power Sleep, DeepSleep, and Hibernate modes for fine-grained power management
- Configurable options for robust BOD
 - Two threshold levels (2.7 V and 3.0 V) for BOD on V_{DD} and V_{DDA}
 - One threshold level (1.1 V) for BOD on V_{CCD}

■ Wakeup Support

- Up to two pins to wakeup from Hibernate mode
- Up to 152 GPIO pins to wakeup from Sleep modes
- Event Generator, SCB, Watchdog Timer, RTC alarms to wake from DeepSleep modes

■ Clock Sources

- Internal main oscillator (IMO)
- Internal low-speed oscillator (ILO)
- External crystal oscillator (ECO)
- Watch crystal oscillator (WCO)
- Phase-locked loop (PLL)
- Frequency-locked loop (FLL)

■ Communication Interfaces

- Up to six CAN FD channels
 - Increased data rate (up to 8 Mbps) compared to classic CAN, limited by physical layer topology and transceivers
 - Compliant to ISO 11898-1:2015
 - Supports all the requirements of Bosch CAN FD Specification V1.0 for non-ISO CAN FD
 - ISO 16845:2015 certificate available
- Up to eight runtime-reconfigurable SCB (serial communication block) channels, each configurable as I²C, SPI, or UART
- Up to eight independent LIN channels
 - LIN protocol compliant with ISO 17987

Notes

1. The Crypto engine features are available on select MPNs.
2. This feature is not available in "eSHE only" parts; for more information, refer to [Ordering Information](#).

■ Timers

- Up to 75 16-bit and four 32-bit Timer/Counter Pulse-Width Modulator (TCPWM) blocks
 - Up to 12 16-bit counters for motor control
 - Up to 63 16-bit counters and four 32-bit counters for regular operations
 - Supports timer, capture, quadrature decoding, pulse-width modulation (PWM), PWM with dead time (PWM_DT), pseudo-random PWM (PWM_PR), and shift-register (SR) modes
- Up to 11 Event Generation (EVTGEN) timers supporting cyclic wakeup from DeepSleep
 - Events trigger a specific device operation (such as execution of an interrupt handler, a SAR ADC conversion, and so on)

■ Real Time Clock (RTC)

- Year/Month/Date, Day-of-week, Hour:Minute:Second fields
- 12- and 24-hour formats
- Automatic leap-year correction

■ I/O

- Up to 152 Programmable I/Os
- Two I/O types
 - GPIO Standard (GPIO_STD)
 - GPIO Enhanced (GPIO_ENH)

■ Regulators

- Generates 1.1-V nominal core supply from a 2.7-V to 5.5-V input supply
- Two types of regulators
 - DeepSleep
 - Core internal

■ Programmable Analog

- Three SAR A/D converters with up to 67 external channels (64 I/Os + 3 I/Os for motor control)
 - ADC0 supports 24 logical channels, with 24 + 1 physical connections
 - ADC1 supports 32 logical channels, with 32 + 1 physical connections
 - ADC2 supports 8 logical channels, with 8 + 1 physical connections
 - Any external channel can be connected to any logical channel in the respective SAR

- Each ADC supports 12-bit resolution and sampling rates of up to 1 Msps
- Each ADC also supports up to six internal analog inputs like
 - Bandgap reference to establish absolute voltage levels
 - Calibrated diode for junction temperature calculations
 - Two AMUXBUS inputs and two direct connections to monitor supply levels
- Each ADC supports addressing of external multiplexers
- Each ADC has a sequencer supporting autonomous scanning of configured channels
- Synchronized sampling of all ADCs for motor-sense applications

■ Smart I/O™

- Up to five Smart I/O blocks, which can perform Boolean operations on signals going to and from I/Os
- Up to 36 I/Os (GPIO_STD) supported

■ Debug Interface

- JTAG controller and interface compliant to IEEE-1149.1-2001
- Arm SWD (Serial Wire Debug) port
- Supports Arm Embedded Trace Macrocell (ETM) Trace
 - Data trace using SWD
 - Instruction and data trace using JTAG

■ Compatible with Industry-Standard Tools

- GHS/MULTI or IAR EWARM for code development and debugging

■ Packages

- 64-LQFP, 10 × 10 × 1.7 mm (max), 0.5-mm lead pitch
- 80-LQFP, 12 × 12 × 1.7 mm (max), 0.5-mm lead pitch
- 100-LQFP, 14 × 14 × 1.7 mm (max), 0.5-mm lead pitch
- 144-LQFP, 20 × 20 × 1.7 mm (max), 0.5-mm lead pitch
- 176-LQFP, 24 × 24 × 1.7 mm (max), 0.5-mm lead pitch

Contents

Features List	4	Documentation	83
Communication Peripheral Instance List	5	Tools	83
Blocks and Functionality	6	Electrical Specifications	84
Functional Description	7	Absolute Maximum Ratings	84
CPU Subsystem	7	Device-Level Specifications	86
System Resources	7	Smoothing Capacitor Recommendations	87
Peripherals	9	DC Specifications	87
I/Os	11	Reset Specifications	90
CYT2B7 Address Map	12	I/O	92
Flash Base Address Map	13	Analog Peripherals	98
Peripheral I/O Map	14	Digital Peripherals	102
CYT2B7 Clock Diagram	16	Memory	113
CYT2B7 CPU Start-up Sequence	17	System Resources	114
Pin Assignment	18	Debug	124
High-Speed I/O Matrix Connections	28	Clock Specifications	125
Package Pin List and Alternate Functions	29	Ordering Information	132
Power Pin Assignments	35	Part Number Nomenclature	133
Alternate Function Pin Assignments	36	Packaging	134
Interrupts and Wake-up Assignments	44	Appendix	140
Core Interrupt Types	53	Bootloading or End-of-line Programming	140
Trigger Multiplexer	54	External IP Revisions	141
Triggers Group Inputs	55	Acronyms	142
Triggers Group Outputs	58	Errata	144
Triggers One-to-One	59	Document History Page	149
Peripheral Clocks	63	Detailed Revision History	151
Faults	66	Sales, Solutions, and Legal Information	154
Peripheral Protection Unit Fixed Structure Pairs	69	Worldwide Sales and Design Support	154
Bus Masters	81	Products	154
Miscellaneous Configuration	82	PSoC® Solutions	154
Development Support	83	Cypress Developer Community	154
		Technical Support	154

1. Features List

Table 1-1. CYT2B7 Feature List for All Packages

Features	Packages				
	64-LQFP	80-LQFP	100-LQFP	144-LQFP	176-LQFP
CPU					
Core	32-bit Arm Cortex-M4F CPU and 32-bit Arm Cortex M0+ CPU				
Functional safety	ASIL-B				
Operating voltage	2.7 V to 5.5 V				
Core voltage	1.05 V to 1.15 V				
Operating frequency	Arm Cortex-M4 160 MHz (max) and Arm Cortex-M0+ 100 MHz (max), related by integer frequency ratio (that is, 1:1, 1:2, 1:3, and so on)				
MPU, PPU	Supported				
FPU	Single precision (32-bit)				
DSP-MUL/DIV/MAC	Supported by Arm Cortex-M4F CPU				
Memory					
Code-flash	1088 KB (960 KB + 128 KB)				
Work-flash	96 KB (72 KB + 24 KB)				
SRAM (configurable for retention)	128 KB				
ROM	32 KB				
Communication Interfaces					
CAN0 (CAN FD: Up to 8 Mbps)	3 ch				
CAN1 (CAN FD: Up to 8 Mbps)	2 ch	3 ch			
CAN RAM	24 KB per instance (3 ch), 48 KB in total				
Serial communication block (SCB/UART)	7 ch	8 ch			
Serial communication block (SCB/I2C)	6 ch		8 ch		
Serial communication block (SCB/SPI)	3 ch	6 ch	8 ch		
LIN	6 ch	7 ch		8 ch	
Timers					
RTC	1 ch				
TCPWM (16-bit) (Motor Control)	12 ch				
TCPWM (16-bit)	63 ch				
TCPWM (32-bit)	4 ch				
External Interrupts	49	63	78	122	152
Analog					
12-bit, 1 Msps SAR ADC	3 Units (SAR0/24, SAR1/32, SAR2/8 logical channels)				
	27 external channels (SAR0 11 ch, SAR1 9 ch, SAR2 7 ch)	34 external channels (SAR0 12 ch, SAR1 14 ch, SAR2 8 ch)	39 external channels (SAR0 14 ch, SAR1 17 ch, SAR2 8 ch)	54 external channels (SAR0 21 ch, SAR1 25 ch, SAR2 8 ch)	64 external channels (SAR0 24 ch, SAR1 32 ch, SAR2 8 ch)
	18 ch (6 per ADC) Internal sampling				
Motor Control Input	3 ch (synchronous sampling of one channel on each of the 3 ADCs)				

Note

3. Enhanced Secure Hardware Extension (eSHE) and Hardware Security Module (HSM) support are enabled by third-party firmware.

Table 1-1. CYT2B7 Feature List for All Packages (continued)

Features	Packages				
	64-LQFP	80-LQFP	100-LQFP	144-LQFP	176-LQFP
Security					
Flash Security (program/work read protection)	Supported				
Flash Chip erase enable	Configurable				
eSHE/HSM	By separate firmware ^[3]				
System					
DMA Controller	P-DMA0 with 89 channels (16 general purpose), P-DMA1 with 33 channels (8 general purpose), and M-DMA0 with 4 channels				
Internal main oscillator	8 MHz				
Internal low-speed oscillator	32.768 kHz (nominal)				
PLL	Input frequency: 3.988 to 33.34 MHz, PLL output frequency: up to 160 MHz				
FLL	Input frequency: 0.25 to 80 MHz, FLL output frequency: up to 100 MHz				
Watchdog timer and multi-counter watchdog timer	Supported				
Clock supervisor	Supported				
Cyclic wakeup from DeepSleep	Supported				
GPIO_STD	45	59	74	118	148
GPIO_ENH	4				
Smart I/O (Blocks)	3 blocks, 9 I/Os	3 blocks, 14 I/Os	4 blocks, 20 I/Os	5 blocks, 29 I/Os	5 blocks, 36 I/Os
Low-voltage detect	Two, 26 selectable levels				
Maximum ambient temperature	105 °C for S-grade and 125 °C for E-grade				
Debug interface	SWD/JTAG				
Debug trace	Arm Cortex-M4 ETB size of 8 KB, Arm Cortex M0+ MTB size of 4 KB				

1.1 Communication Peripheral Instance List

The following table lists the instances supported under each package for communication peripherals, based on the minimum pins needed for the functionality.

Table 1-2. Peripheral Instance List

Module	64-LQFP	80-LQFP	100-LQFP	144-LQFP	176-LQFP	Minimum Pin Functions
CAN0	0/1/2	0/1/2	0/1/2	0/1/2	0/1/2	TX, RX
CAN1	0/2	0/1/2	0/1/2	0/1/2	0/1/2	TX, RX
LIN	0/1/2/3/4/7	0/1/2/3/4/6/7	0/1/2/3/4/6/7	0/1/2/3/4/5/6/7	0/1/2/3/4/5/6/7	TX, RX
SCB/UART	0/1/2/3/4/5/7	0/1/2/3/4/5/6/7	0/1/2/3/4/5/6/7	0/1/2/3/4/5/6/7	0/1/2/3/4/5/6/7	TX, RX
SCB/I2C	0/2/3/4/5/7	0/1/3/4/5/7	0/1/2/3/4/5/6/7	0/1/2/3/4/5/6/7	0/1/2/3/4/5/6/7	SCL, SDA
SCB/SPI	0/3/4	0/1/3/4/5/7	0/1/2/3/4/5/6/7	0/1/2/3/4/5/6/7	0/1/2/3/4/5/6/7	MISO, MOSI, SCK, SELECT0

2. Blocks and Functionality

Figure 2-1. Block Diagram

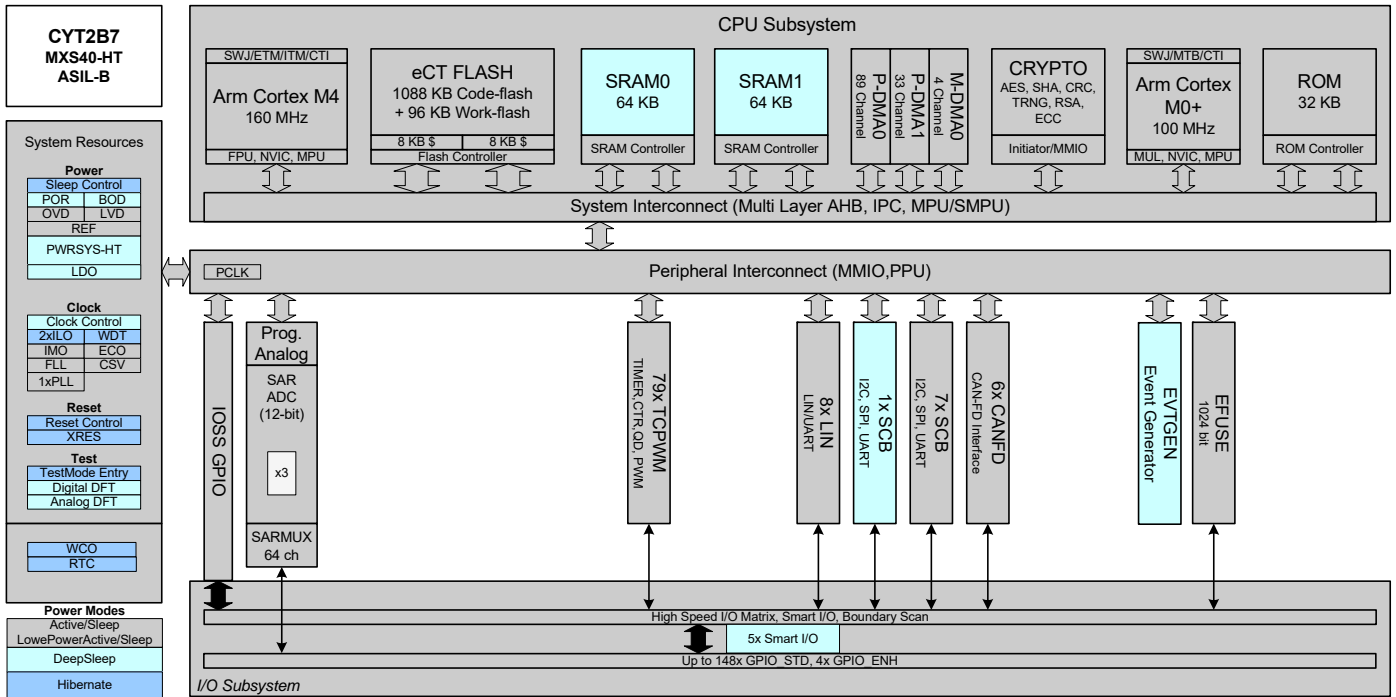


Figure 2-1. shows the CYT2B7 architecture block diagram, giving a simplified view of the interconnection between subsystems and blocks. CYT2B7 has four major subsystems: CPU, system resources, peripherals, and I/O^[4, 5]. The color-coding shows the lowest power mode where the particular block is still functional.

CYT2B7 provides extensive support for programming, testing, debugging, and tracing of both hardware and firmware.

Debug-on-chip functionality enables in-system debugging using the production device. It does not require special interfaces, debugging pods, simulators, or emulators.

The JTAG interface is fully compatible with industry-standard third-party probes such as I-jet, J-Link, and GHS.

The debug circuits are enabled by default.

CYT2B7 provides a high level of security with robust flash protection and the ability to disable features such as debug.

Additionally, each device interface can be permanently disabled for applications concerned with phishing attacks from a maliciously reprogrammed device or attempts to defeat security by starting and interrupting flash programming sequences. All programming, debug, and test interfaces are disabled when maximum device security is enabled.

Notes

4. GPIO_STD supporting 2.7 V to 5.5 V V_{DDIO} range.
5. GPIO_ENH supporting 2.7 V to 5.5 V V_{DDIO} range with higher currents at lower voltages.

3. Functional Description

3.1 CPU Subsystem

3.1.1 CPU

The CYT2B7 CPU subsystem contains a 32-bit Arm Cortex-M0+ CPU with MPU, and a 32-bit Arm Cortex-M4F CPU with MPU, and single-precision FPU. This subsystem also includes P-/M-DMA controllers, a cryptographic accelerator, 1088 KB of code-flash, 96 KB of work-flash, 128 KB of SRAM, and 32 KB of ROM.

The Cortex-M0+ CPU provides a secure, un-interruptible boot function. This guarantees that, following completion of the boot function, system integrity is valid and privileges are enforced. Shared resources (flash, SRAM, peripherals, and so on) can be accessed through bus arbitration, and exclusive accesses are supported by an inter-processor communication (IPC) mechanism using hardware semaphores.

3.1.2 DMA Controllers

CYT2B7 has three DMA controllers: P-DMA0 with 16 general-purpose and 73 dedicated channels, P-DMA1 with 8 general-purpose and 25 dedicated channels, and M-DMA0 with four channels. P-DMA is used for peripheral-to-memory and memory-to-peripheral data transfers and provides low latency for a large number of channels. Each P-DMA controller uses a single data-transfer engine that is shared by the associated channels. General purpose channels have a rich interconnect matrix including P-DMA cross triggering which enables demanding data-transfer scenarios. Dedicated channels have a single triggering input (such as an ADC channel) to handle common transfer needs. M-DMA is used for memory-to-memory data transfers and provides high memory bandwidth for a small number of channels. M-DMA uses a dedicated data-transfer engine for each channel. They support independent accesses to peripherals using the AHB multi-layer bus.

3.1.3 Flash

CYT2B7 has 1088 KB (960 KB with a 32-KB sector size, and 128 KB with an 8-KB sector size) of code-flash with an additional work-flash of up to 96 KB (72 KB with 2-KB sector size, and 24 KB with 128-B sectors size). Work-flash is optimized for reprogramming many more times than code-flash. Code-flash supports Read-While-Write (RWW) operation allowing flash to be updated while the CPU is active. Both the code-flash and work-flash areas support dual-bank operation for over-the-air (OTA) programming.

3.1.4 SRAM

CYT2B7 has 128 KB of SRAM with two independent controllers. The first controller, SRAM0, provides DeepSleep retention in 32-KB increments, while SRAM1 is selectable between fully retained and not retained.

3.1.5 ROM

CYT2B7 has 32-KB ROM that contains boot and configuration routines. This ROM enables secure boot and authentication of user flash to guarantee a secure system.

3.1.6 Cryptography Accelerator for Security

The cryptography accelerator implements (3)DES block cipher, AES block cipher, SHA hash, cyclic redundancy check, pseudo random number generation, true random number generation, galois/counter mode, and a vector unit to support asymmetric key cryptography such as RSA and ECC.

Depending on the part number, this block is either completely or partially available or not available at all. See [Ordering Information](#) for more details.

3.2 System Resources

3.2.1 Power System

The power system ensures that the supply voltage levels meet the requirements of each power mode, and provides a full-system reset when these levels are not valid. Internal power-on reset (POR) guarantees full-chip reset during the initial power ramp.

Three Brown-Out Detection (BOD) circuits monitor the external supply voltages (V_{DD} , V_{DDA} , V_{CCD}). The BOD on V_{DD} and V_{CCD} are initially enabled and cannot be disabled. The BOD on V_{DDA} is initially disabled and can be enabled by the user. For the external supplies V_{DD} and V_{DDA} , BOD circuits are software configurable with two settings; a 2.7-V minimum voltage that is robust for all internal signaling and a 3.0-V minimum voltage, which is also robust for all I/O specifications (which are guaranteed at 2.7 V). The BOD on V_{CCD} is provided as a safety measure and is not a robust detector.

Three overvoltage detection (OVD) circuits are provided for monitoring external supplies (V_{DD} , V_{DDA} , V_{CCD}), and overcurrent detection circuits (OCD) for monitoring internal and external regulators. OVD thresholds on V_{DD} and V_{DDA} are configurable with two settings; a 5.0-V and 5.5-V maximum voltage. Two voltage-detection circuits are provided to monitor the external supply voltage (V_{DD}) for falling and rising levels, each configurable for one of the 26 selectable levels.

All BOD, OVD, and OCD circuits on V_{DD} and V_{CCD} generate a reset, because these protect the CPUs and fault logic. The BOD and OVD circuits on V_{DDA} can be configured to generate either a reset, or a fault.

3.2.2 Regulators

CYT2B7 contains two regulators that provide power to the low-voltage core transistors: DeepSleep and core internal. These regulators accept a 2.7–5.5-V V_{DD} supply and provide a low-noise 1.1-V supply to various parts of the device. These regulators are automatically enabled and disabled by hardware and firmware when switching between power modes. The core internal and core external regulators operate in active mode, and provide power to the CPU subsystem and associated peripherals.

DeepSleep

The DeepSleep regulator is used to maintain power to a small number of blocks when in DeepSleep mode. These blocks include the ILO and WDT timers, BOD detector, SCB0, SRAM memories, Smart I/O, and other configuration memories. The DeepSleep regulator is enabled when in DeepSleep mode, and the core internal regulator is disabled. It is disabled when XRES_L is asserted (LOW) and when the core internal regulator is disabled.

Core internal

The core internal regulator supports load currents up to 150 mA, and is operational during the device start-up (boot process), and in Active/Sleep modes.

3.2.3 Clock System

The CYT2B7 clock system provides clocks to all subsystems that require them, and glitch-free switching between different clock sources. In addition, the clock system ensures that no metastable conditions occur.

The clock system for CYT2B7 consists of the 8-MHz IMO, two ILOs, three watchdog timers, a PLL, an FLL, five clock supervisors (CSV), a 3.988- to 33.34 MHz ECO, and a 32.768-kHz WCO.

The clock system supports two main clock domains: CLK_HF, and CLK_LF.

- CLK_HF_x are the Active mode clocks. Each can use any of the high frequency clock sources including IMO, EXT_CLK, ECO, FLL, or PLL
- CLK_LF is a DeepSleep domain clock and provides a reference clock for the MCWDT or RTC modules. The reference clock for the CLK_LF domain is either disabled or selectable from ILO0, ILO1, or WCO

Table 3-1. CLK_HF Destinations

Name	Description
CLK_HF0	CPUSS clocks, PERI, and AHB infrastructure
CLK_HF1	Event Generator, also available in HSIOM as an output

IMO Clock Source

The IMO is the frequency reference in CYT2B7 when no external reference is available or enabled. The IMO operates at a frequency of 8 MHz ±1%. The internal trim settings for the IMO can be dynamically updated to provide a tolerance <1%.

ILO Clock Source

An ILO is a low-power oscillator, nominally 32.768 kHz, which generates clocks for a watchdog timer when in DeepSleep mode. There are two ILOs to ensure clock supervisor (CSV) capability in DeepSleep mode. ILO-driven counters can be calibrated to the IMO, WCO, or ECO to improve their accuracy. ILO1 is also used for clock supervision.

PLL and FLL

A PLL or FLL may be used to generate high-speed clocks from the IMO, the ECO, or EXT_CLK. The FLL provides a much faster lock than the PLL (5 μs instead of 35 μs) in exchange for a small amount (±2%) of frequency error^[6].

Clock Supervisor (CSV)

Each CSV allows one clock (reference) to supervise the behavior of another clock (monitored). Each CSV has counters for both the monitored and reference clocks. Parameters for each counter determine the frequency of the reference clock as well as the upper and lower frequency limits of the monitored clock. If the frequency range comparator detects a stopped clock or a clock outside the specified frequency range, an abnormal state is signaled and either a reset or an interrupt is generated.

Note

6. Operation of reference-timed peripherals (like a UART) with an FLL-based reference is not recommended due to the allowed frequency error.

EXT_CLK

One of the two GPIO_STD I/Os can be used to provide an external clock input of up to 80 MHz. This clock can be used as the source clock for either the PLL or FLL, or can be used directly by the CLK_HF domain.

ECO

The ECO provides high-frequency clocking using an external crystal connected to the ECO_IN and ECO_OUT pins. It supports fundamental mode (non-overtone) quartz crystals, in the range of 3.988 to 33.34 MHz. When used in conjunction with the PLL, it generates CPU and peripheral clocks up to device's maximum frequency. ECO accuracy depends on the selected crystal. If the ECO is disabled, the associated pins can be used for any of the available I/O functions.

WCO

The WCO is a low-power, watch-crystal oscillator intended for real-time-clock applications. It requires an external 32.768-kHz crystal connected to the WCO_IN and WCO_OUT pins. The WCO can also be configured as a clock reference for CLK_LF, which is the clock source for the MCWDT and RTC.

3.2.4 Reset

CYT2B7 can be reset from a variety of sources, including software. Reset events are asynchronous and guarantee reversion to a known state. The reset cause (POR, BOD, OVD, overcurrent, XRES_L, WDT, MCWDT, software reset, fault, CSV, Hibernate wakeup, debug) is recorded in a register, which is sticky through reset and allows software to determine the cause of the reset. An XRES_L pin is available for external reset.

3.2.5 Watchdog Timers

CYT2B7 has one watchdog timer (WDT) and two multi-counter watchdog timers (MCWDT).

The WDT is a free-running counter clocked only by ILO0, which allows it to be used as a wakeup source from Hibernate. Watchdog operation is possible during all power modes. To prevent a device reset from a WDT timeout, the WDT must be serviced during a configured window. A watchdog reset is recorded in the reset cause register.

An MCWDT is available for each of the CPU cores. These timers provide more capabilities than the WDT, and are only available in Active, Sleep, and DeepSleep modes. These timers have multiple counters that can be used separately or cascaded to trigger interrupts and/or resets. They are clocked from ILO0 or the WCO.

3.2.6 Power Modes

CYT2B7 has the following six power modes:

- Active – all peripherals are available
- Low-Power Active (LPACTIVE) – Low-power profile of Active mode where all peripherals and the CPUs are available, but with limited capability
- Sleep – all peripherals except the CPUs are available
- Low-Power Sleep (LPSLEEP) – Low-power profile of Sleep mode where all peripherals except the CPUs are available, but with limited capability
- DeepSleep – only peripherals which work with CLK_LF are available
- Hibernate – the device and I/Os are in High-Z state, the device resets on wakeup

3.3 Peripherals

3.3.1 Peripheral Clock Dividers

Integer and fractional clock dividers are provided for peripheral and timing purposes.

Table 3-2. Clock Dividers

Divider	Count	Description
div_8	32	Integer divider, 8 bits
div_16	16	Integer divider, 16 bits
div_24_5	8	Fractional divider, 24.5 bits (24 integer bits, 5 fractional bits)

3.3.2 Peripheral Protection Unit

The Peripheral Protection Unit (PPU) controls and monitors unauthorized access from all masters (CPU, P-/M-DMA, Crypto, and any enabled debug interface) to the peripherals. It allows or restricts data transfers on the bus infrastructure. The access rules are enforced based on specific properties of a transfer, such as an address range for the transfer and access attributes (such as read/write, user/privilege, and secure/non-secure).

3.3.3 12-bit SAR ADC

CYT2B7 contains three 1-Msps SAR ADCs. These ADCs can be clocked at up to 26.67 MHz and provide a 12-bit result in 26 clock cycles.

The references for all three SAR ADCs come from a dedicated pair of inputs: VREFH and VREFL^[7].

CYT2B7 devices support up to 85 logical ADC channels, and external inputs from up to 67 I/Os. Each ADC also supports six internal connections for diagnostic and monitoring purposes. The number of ADC channels (per ADC and package type) are listed in [Table 1-1](#).

Each ADC has a sequencer, which autonomously cycles through the configured channels (sequencer scan) with zero-switching overhead (that is, the aggregate sampling bandwidth, when clocked at 26.67 MHz, is equal to 1 Msps whether it is for a single

channel or distributed over several channels). The sequencer switching is controlled through a state machine or firmware. The sequencer prioritizes trigger requests, enables the appropriate analog channel, controls ADC sampling, initiates ADC data conversion, manages results, and initiates subsequent conversions for repetitive or group conversions without CPU intervention.

Each SAR ADC has an analog multiplexer used to connect the signals to be measured to the ADC. It has 32 GPIO_STD inputs, one special GPIO_STD input for motor-sense, and six additional inputs to measure internal signals such as a band-gap reference, a temperature sensor, and power supplies. The device supports synchronous sampling of one motor-sense channel on each of the three ADCs.

CYT2B7 has one temperature sensor that is shared by all three ADCs. The temperature sensor must only be sampled by one ADC at a time. Software post processing is required to convert the temperature sensor reading into kelvin or Celsius values.

To accommodate signals with varying source impedances and frequencies, it is possible to have different sample times programmed for each channel. Each ADC also supports range comparison, which allows fast detection of out-of-range values without having to wait for a sequencer scan to complete and for the CPU firmware to evaluate the measurement for out-of-range values.

The ADCs are not usable in DeepSleep and Hibernate modes as they require a high-speed clock. The ADC input reference voltage VREFH range is 2.7 V to V_{DDA} and VREFL is V_{SSA} .

3.3.4 Timer/Counter/PWM Block (TCPWM)

The TCPWM block consists of 16-bit (75 channels) and 32-bit (four channels) counters with a user-programmable period. Twelve of the 16-bit counters include extra features to support motor control operations. Each TCPWM counter contains a capture register to record the count at the time of an event, a period register (used to either stop or auto-reload the counter when its count is equal to the period register), and compare registers to generate signals that are used as PWM duty-cycle outputs.

Each counter within the TCPWM block supports several functional modes such as timer, capture, quadrature, PWM, PWM with dead-time insertion (PWM_DT, 8-bit), pseudo-random PWM (PWM_PR), and shift-register.

In motor-control applications, the counter within the TCPWM block supports enhanced quadrature mode with features such as asymmetric PWM generation, dead-time insertion (16-bit), and association of different dead times for PWM output signals.

The TCPWM block also provides true and complement outputs, with programmable offset between them, to allow their use as deadband complementary PWM outputs. The TCPWM block also has a kill input (only for the PWM mode) to force outputs to a predetermined state; for example, this may be used in motor-drive systems when an overcurrent state is detected and the PWMs driving the FETs need to be shut off immediately (no time for software intervention).

Note

7. VREF_L prevents IR drops in the VSSIO and VSSA paths from impacting the measurements. VREF_L, when properly connected, reduces or removes the impact of IR drops in the VSSIO and VSSA paths from measurements.

3.3.5 Serial Communication Blocks (SCB)

CYT2B7 contains eight serial communication blocks, each configurable to support I²C, UART, or SPI.

I²C Interface

An SCB can be configured to implement a full I²C master (capable of multi-master arbitration) or slave interface. Each SCB configured for I²C can operate at speeds of up to 1 Mbps (Fast-mode Plus^[8]) and has flexible buffering options to reduce the interrupt overhead and latency of the CPU. In addition, each SCB supports FIFO buffering for receive and transmit data, which, by increasing the time for the CPU to read the data, reduces the need for clock stretching. The I²C interface is compatible with Standard, Fast-mode, and Fast-mode Plus devices as specified in the NXP I²C-bus specification and user manual (UM10204). The I²C-bus I/O is implemented with GPIO in open-drain modes^[9, 10].

UART Interface

When configured as a UART, each SCB provides a full-featured UART with maximum signalling rate determined by the configured peripheral-clock frequency and over-sampling rate. It supports infrared interface (IrDA) and SmartCard (ISO 7816) protocols, which are minor variants of the UART protocol. It also supports the 9-bit multiprocessor mode that allows the addressing of peripherals connected over common Rx and Tx lines. Common UART functions such as parity, number of stop bits, break detect, and frame error are supported. FIFO buffering of transmit and receive data allows greater CPU service latencies to be tolerated.

The LIN protocol is supported by the UART. LIN is based on a single-master multi-slave topology. There is one master node and multiple slave nodes on the LIN bus. The SCB UART supports only LIN slave functionality. Compared to the dedicated LIN blocks, an SCB/UART used for LIN requires a higher level of software interaction and increased CPU load.

SPI Interface

The SPI configuration supports full Motorola SPI, TI Synchronous Serial Protocol (SSP, essentially adds a start pulse that is used to synchronize SPI-based codecs), and National Microwire (a half-duplex form of SPI). The SPI interface can use the FIFO. The SPI interface operates with up to a 12.5-MHz SPI Clock. SCB also supports EZSPI^[11] mode.

SCB0 supports the following additional features:

- Operable as a slave in DeepSleep mode
- I²C slave EZ (EZI2C^[12]) mode with up to 256-B data buffer for multi-byte communication without CPU intervention
- I²C slave externally-clocked operations
- Command/response mode with a 512-B data buffer for multi-byte communication without CPU intervention

Notes

8. I/Os drive level does not support the full bus capacitance in Fast-mode Plus speeds.
9. This is not 100% compliant with the I²C-bus specification; I/Os are not over-voltage tolerant, do not support the 20-mA sink requirement of Fast-mode Plus, and violate the leakage specification when no power is applied.
10. Only Port 0 with the slew rate control enabled meets the minimum fall time requirement.
11. The Easy SPI (EZSPI) protocol is based on the Motorola SPI operating in any mode (0, 1, 2, or 3). It allows communication between master and slave reduces the need for CPU intervention.
12. The Easy I²C (EZI2C) protocol is a unique communication scheme built on top of the I²C protocol by Cypress. It uses a meta protocol around the standard I²C protocol to communicate to an I²C slave using indexed memory transfers. This reduces the need for CPU intervention.

3.3.6 CAN FD

CYT2B7 supports two CAN FD controller blocks, each supporting three CAN FD channels. All CAN FD controllers are compliant with the ISO 11898-1:2015 standard; an ISO 16845:2015 certificate is available. It also implements the time-triggered CAN (TTCAN) protocol specified in ISO 11898-4 (TTCAN protocol levels 1 and 2) completely in hardware.

All functions concerning the handling of messages are implemented by the Rx and Tx handlers. The Rx handler manages message acceptance filtering, transfer of received messages from the CAN core to a message RAM, and provides receive-message status. The Tx handler is responsible for the transfer of transmit messages from the message RAM, to the CAN core, and provides transmit-message status.

3.3.7 Local Interconnect Network (LIN)

CYT2B7 contains up to eight LIN channels. Each channel supports transmission/reception of data following the LIN protocol according to ISO standard 17987. Each LIN channel connects to an external transceiver through a 3-pin interface (including an enable function) and supports master and slave functionality. Each channel also supports classic and enhanced checksum, along with break detection during message reception and wake-up signaling. Break detection, sync field, checksum calculations, and error interrupts are handled in hardware.

3.3.8 One-Time-Programmable (OTP) eFuse

CYT2B7 contains a 1024-bit OTP eFuse memory that can be used to store and access a unique and unalterable identifier or serial number for each device. eFuses are also used to control the device life-cycle (manufacturing, programming, normal operation, end-of-life, and so on) and the security state. Of the 1024 bits, 192 are available for user purposes.

3.3.9 Event Generator

The event generator supports generation of interrupts and triggers in Active mode and interrupts in DeepSleep mode. The event generators are used to trigger a specific device operation (execution of an interrupt handler, a SAR ADC conversion, and so on) and to provide a cyclic wakeup mechanism from DeepSleep mode. They provide CPU-free triggers for device functions, and reduce CPU involvement in triggering device functions, thus reducing overall power consumption and processing overhead.

3.3.10 Trigger Multiplexer

CYT2B7 supports connecting various peripherals using trigger signals. Triggers are used to inform a peripheral of the occurrence of an event or change of state. These triggers are used to affect or initiate some action in other peripherals. The trigger multiplexer is used to route triggers from a source peripheral to a destination. Triggers provide active logic functionality and are typically supported in Active mode.

3.4 I/Os

CYT2B7 has up to 152 programmable I/Os.

The I/Os are organized as logical entities called ports, which are a maximum of 8 bits wide. During power-on, Hibernate, and reset, the I/Os are forced to the High-Z state.

Every I/O can generate an interrupt (if enabled) and each port has an interrupt request (IRQ) and interrupt service routine (ISR) associated with it.

I/O port power source mapping is listed in [Table 3-3](#). The associated supply determines the V_{OH} , V_{OL} , V_{IH} , and V_{IL} levels when configured for CMOS and Automotive thresholds.

Table 3-3. I/O Port Power Source

Supply	Ports
VDDD	P0, P1, P2, P3, P4, P5, P16, P17, P18, P19, P20, P21, P22, P23
VDDIO_1	P6, P7, P8, P9 ^[13]
VDDIO_2	P10, P11, P12, P13, P14, P15

3.4.1 Port Nomenclature

Px.y describes a particular bit “y” available within an I/O port “x.”

For example, P4.2 reads “port 4, bit 2”.

Each I/O implements the following:

- Programmable drive mode
 - High impedance
 - Resistive pull-up
 - Resistive pull-down
 - Open drain with strong pull-down
 - Open drain with strong pull-up
 - Strong pull-up or pull-down
 - Weak pull-up or pull-down

CYT2B7 has two types of programmable I/Os: GPIO standard and GPIO Enhanced.

- GPIO Standard (GPIO_STD)

Supports standard automotive signaling across the 2.7-V to 5.5-V V_{DDIO} range. GPIO Standard I/Os have multiple configurable drive levels, drive modes, and selectable input levels.

- GPIO Enhanced (GPIO_ENH)

Supports extended functionality automotive signalling across the 2.7-V to 5.5-V V_{DDIO} range with higher currents at lower voltages (full I²C timing support, slew-rate control).

Both GPIO_STD and GPIO_ENH implement the following:

- Configurable input threshold (CMOS, TTL, or Automotive)
- Hold mode for latching previous state (used for retaining the I/O state in DeepSleep mode)
- Analog input mode (input and output buffers disabled)

3.4.2 Smart I/O

Smart I/O allows Boolean operations on signals going to the I/O from the subsystems of the chip or on signals coming into the chip. CYT2B7 has five Smart I/O blocks. Operation can be synchronous or asynchronous and the blocks operate in all device power modes except for the Hibernate mode.

Note

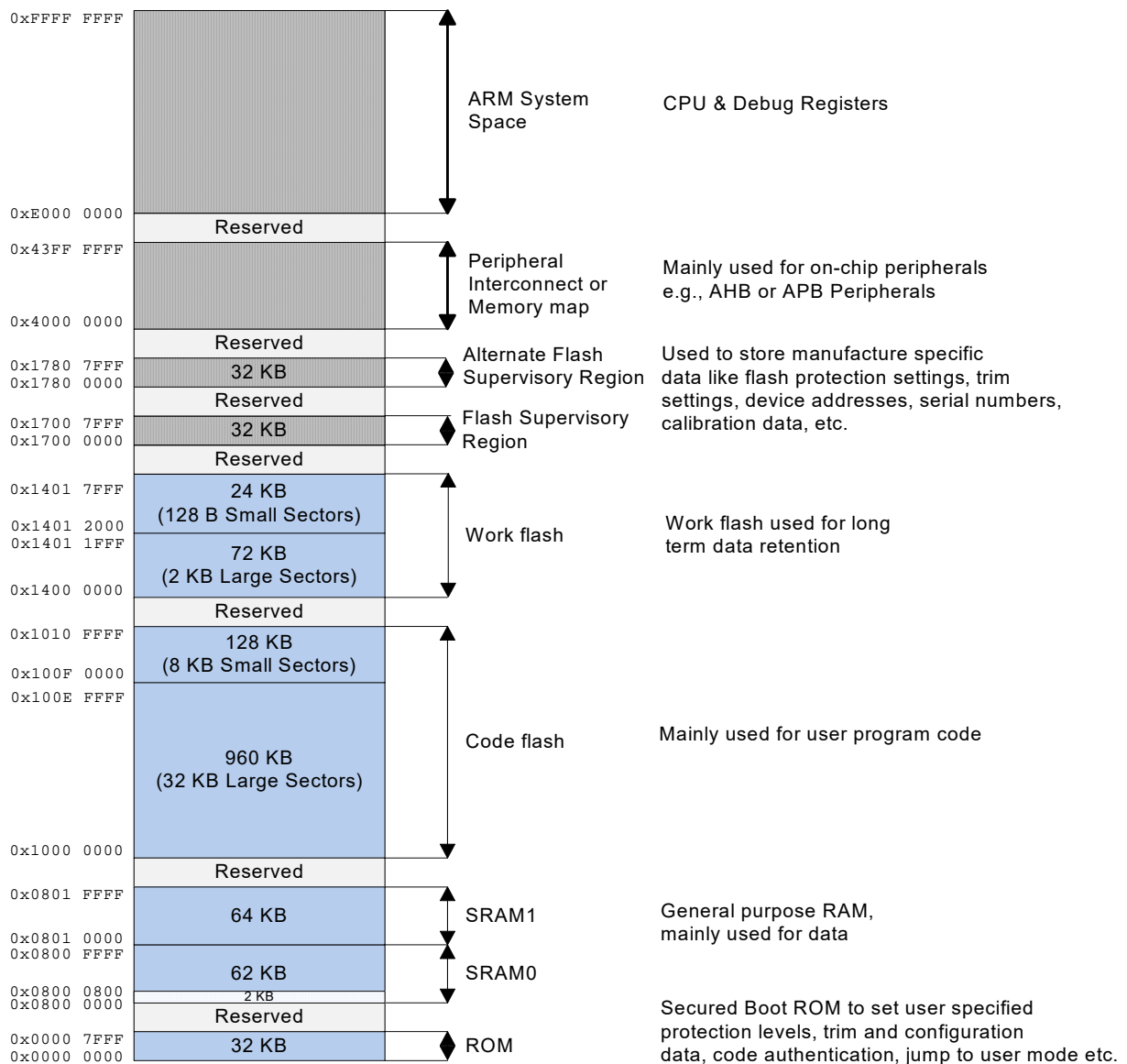
13. The I/Os in VDDIO_1 domain are referred to the VDDD domain in 64-LQFP package.

4. CYT2B7 Address Map

The CYT2B7 microcontroller supports the memory spaces shown in Figure 4-1..

- 1088KB (960KB + 128KB) of code-flash, used in the single- or dual-bank mode based on the associated bit in the flash control register
 - Single-bank mode - 1088KB
 - Dual-bank mode - 544KB per bank
- 96KB (72KB + 24KB) of work-flash, used in the single- or dual-bank mode based on the associated bit in the flash control register
 - Single-bank mode - 96KB
 - Dual-bank mode - 48KB per bank
- 32KB of secure ROM
- 128KB of SRAM (First 2 KB is reserved for internal usage)

Figure 4-1.CYT2B7 Address Map^[14, 15]



Notes

- 14. The size representation is not up to scale.
- 15. First 2 KB of SRAM is reserved, not available for users. User must keep the power of first 32KB block of SRAM0 in enabled or retained in all Active, LP Active, Sleep, LP Sleep, DeepSleep modes.

5. Flash Base Address Map

Table 5-1 through Table 5-6 give information about the sector mapping of the code- and work-flash regions along with their respective base addresses.

Table 5-1. Code-flash Address Mapping in Single Bank Mode

Code-flash Size (KB)	Large Sectors (LS)	Small Sectors (SS)	Large Sector Base Address	Small Sector Base Address
1088	32KB × 30	8KB × 16	0x1000 0000	0x100F 0000

Table 5-2. Work-flash Address Mapping in Single Bank Mode

Work-flash Size (KB)	Large Sectors	Small Sectors	Large Sector Base Address	Small Sector Base Address
96	2KB × 36	128 B × 192	0x1400 0000	0x1401 2000

Table 5-3. Code-flash Address Mapping in Dual Bank Mode (Mapping A)

Code-flash Size (KB)	First Half LS	First Half SS	Second Half LS	Second Half SS	First Half LS Base Address	First Half SS Base Address	Second Half LS Base Address	Second Half SS Base Address
1088	32KB × 15	8KB × 8	32KB × 15	8KB × 8	0x1000 0000	0x1007 8000	0x1200 0000	0x1207 8000

Table 5-4. Code-flash Address Mapping in Dual Bank Mode (Mapping B)

Code-flash Size (KB)	First Half LS	First Half SS	Second Half LS	Second Half SS	First Half LS Base Address	First Half SS Base Address	Second Half LS Base Address	Second Half SS Base Address
1088	32KB × 15	8KB × 8	32KB × 15	8KB × 8	0x1200 0000	0x1207 8000	0x1000 0000	0x1007 8000

Table 5-5. Work-flash Address Mapping in Dual Bank Mode (Mapping A)

Work-flash Size (KB)	First Half LS	First Half SS	Second Half LS	Second Half SS	First Half LS Base Address	First Half SS Base Address	Second Half LS Base Address	Second Half SS Base Address
96	2KB × 18	128 B × 96	2KB × 18	128 B × 96	0x1400 0000	0x1400 9000	0x1500 0000	0x1500 9000

Table 5-6. Work-flash Address Mapping in Dual Bank Mode (Mapping B)

Work-flash Size (KB)	First Half LS	First Half SS	Second Half LS	Second Half SS	First Half LS Base Address	First Half SS Base Address	Second Half LS Base Address	Second Half SS Base Address
96	2KB × 18	128 B × 96	2KB × 18	128 B × 96	0x1500 0000	0x1500 9000	0x1400 0000	0x1400 9000

6. Peripheral I/O Map

Table 6-1. CYT2B7 Peripheral I/O Map

Section	Description	Base Address	Instances	Instance Size	Group	Slave
PERI	Peripheral interconnect	0x4000 0000			0	0
	Peripheral group (0, 1, 2, 3, 5, 6, 9)	0x4000 4000	7	0x20		
	Peripheral trigger group	0x4000 8000	11	0x400		
	Peripheral 1:1 trigger group	0x4000 C000	11	0x400		
PERI_MS	Peripheral interconnect, master interface	0x4001 0000			0	1
	PERI Programmable PPU	0x4001 0000	6 ^[16]	0x40		
	PERI Fixed PPU	0x4001 0800	458	0x40		
Crypto	Cryptography component	0x4010 0000			1	0
CPUSS	CPU subsystem (CPUSS)	0x4020 0000			2	0
FAULT	Fault structure subsystem	0x4021 0000			2	1
	Fault structures	0x4021 0000	4	0x100		
IPC	Inter process communication	0x4022 0000			2	2
	IPC structures	0x4022 0000	8	0x20		
	IPC interrupt structures	0x4022 1000	8	0x20		
PROT	Protection	0x4023 0000			2	3
	Shared memory protection unit structures	0x4023 2000	16	0x40		
	Memory protection unit structures	0x4023 4000	16	0x400		
FLASHC	Flash controller	0x4024 0000			2	4
SRSS	System Resources Subsystem Core Registers	0x4026 0000			2	5
	Clock Supervision High Frequency	0x4026 1400	3	0x10		
	Clock Supervision Reference Frequency	0x4026 1710	1			
	Clock Supervision Low Frequency	0x4026 1720	1			
	Clock Supervision Internal Low Frequency	0x4026 1730	1			
	Multi Counter WDT	0x4026 8000	2	0x100		
	Free Running WDT	0x4026 C000	1			
BACKUP	SRSS Backup Domain/RTC	0x4027 0000			2	6
	Backup Register	0x4027 1000	4	0x04		
P-DMA	P-DMA0 Controller	0x4028 0000			2	7
	P-DMA0 channel structures	0x4028 8000	89	0x40		
	P-DMA1 Controller	0x4029 0000			2	8
	P-DMA1 channel structures	0x4029 8000	33	0x40		
M-DMA	M-DMA0 Controller	0x402A 0000			2	9
	M-DMA0 channels	0x402A 1000	4	0x100		
eFUSE	eFUSE Customer Data (192 bits)	0x402C 0868	6	0x04	2	10
HSIOM	High-Speed I/O Matrix (HSIOM)	0x4030 0000	24	0x10	3	0
GPIO	GPIO port control/configuration	0x4031 0000	24	0x80	3	1

Note

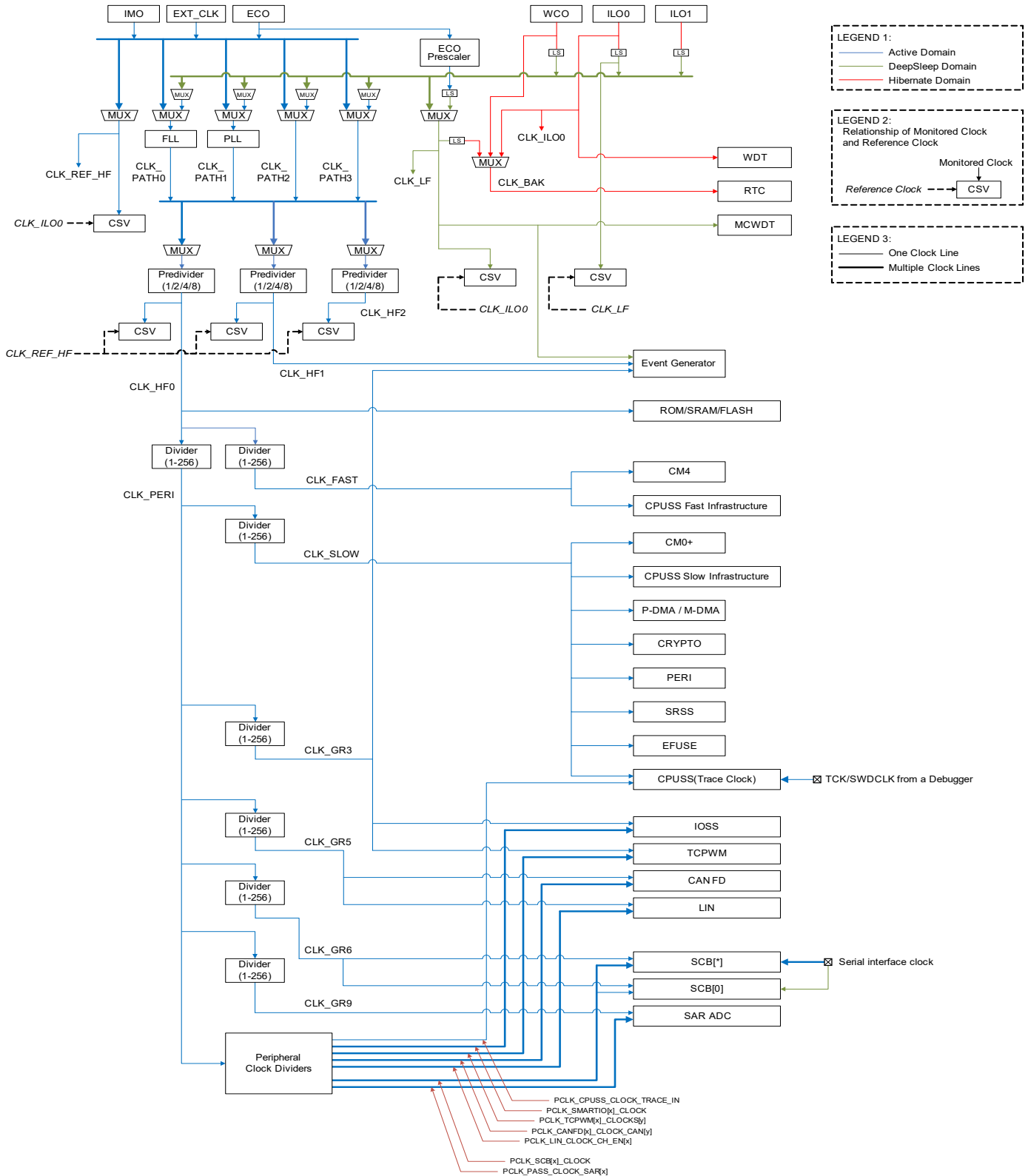
¹⁶ These six Programmable PPUs are configured by the Boot ROM and are available for the user based on the access rights. Refer to the device specific TRM to know more about the configuration of these programmable PPUs.

Table 6-1. CYT2B7 Peripheral I/O Map *(continued)*

Section	Description	Base Address	Instances	Instance Size	Group	Slave
SMARTIO	Programmable I/O configuration	0x4032 0000			3	2
	SMARTIO port configuration	0x4032 0C00	5	0x100		
TCPWM	Timer/Counter/PWM 0 (TCPWM0)	0x4038 0000			3	3
	TCPWM0 Group #0 (16-bit)	0x4038 0000	63	0x80		
	TCPWM0 Group #1 (16-bit, Motor control)	0x4038 8000	12	0x80		
	TCPWM0 Group #2 (32-bit)	0x4039 0000	4	0x80		
EVTGEN	Event generator 0 (EVTGEN0)	0x403F 0000			3	4
	Event generator 0 comparator structures	0x403F 0800	11	0x20		
LIN	Local Interconnect Network 0 (LIN0)	0x4050 0000			5	0
	LIN0 Channels	0x4050 8000	8	0x100		
TTCANFD	CAN0 controller	0x4052 0000	3	0x200	5	1
	Message RAM CAN0	0x4053 0000		0x5FFF		
	CAN1 controller	0x4054 0000	3	0x200	5	2
	Message RAM CAN1	0x4055 0000		0x5FFF		
SCB	Serial Communications Block (SPI/UART/I ² C)	0x4060 0000	8	0x10000	6	0-7
PASS0 SAR	Programmable Analog Subsystem (PASS0)	0x4090 0000			9	0
	SAR0 channel controller	0x4090 0000				
	SAR1 channel controller	0x4090 1000				
	SAR2 channel controller	0x4090 2000				
	SAR0 channel structures	0x4090 0800	24	0x40		
	SAR1 channel structures	0x4090 1800	32	0x40		
	SAR2 channel structures	0x4090 2800	8	0x40		

7. CYT2B7 Clock Diagram

Figure 7-1.CYT2B7 Clock Diagram



8. CYT2B7 CPU Start-up Sequence

The start-up sequence is described in the following steps:

1. System Reset (@0x0000 0000)
2. CM0+ executes ROM boot (@0x0000 0004)
 - i. Applies trims
 - ii. Applies Debug Access port (DAP) access restrictions and system protection from eFuse and supervisory flash
 - iii. Authenticates flash boot (only in SECURE life-cycle stage) and transfers control to it
3. CM0+ executes flash boot (from Supervisory flash @0x1700 2000)
 - i. Debug pins are configured as per the SWD/JTAG spec^[17]
 - ii. Sets CM0+ vector offset register (CM0_VTOR part of the Arm system space) to the beginning of flash (@0x1000 0000)
 - iii. CM0+ branches to its Reset handler
4. CM0+ starts execution
 - i. Moves CM0+ vector table to SRAM (updates CM0+ vector table base)
 - ii. Sets CM4_VECTOR_TABLE_BASE (@0x0000 0200) to the location of CM4 vector table mentioned in flash (specified in CM4 linker definition file)
 - iii. Releases CM4 from reset
 - iv. Continues execution of CM0+ user application
5. CM4 executes directly from either code-flash or SRAM
 - i. CM4 branches to its Reset handler
 - ii. Continues execution of CM4 user application

Note

17. Port configuration of SWD/JTAG pins will be changed from the default GPIO mode to support debugging after the boot process, refer to [Table 11-1](#) for pin assignments.

9. Pin Assignment

Figure 9-1.176-LQFP Pin Assignment

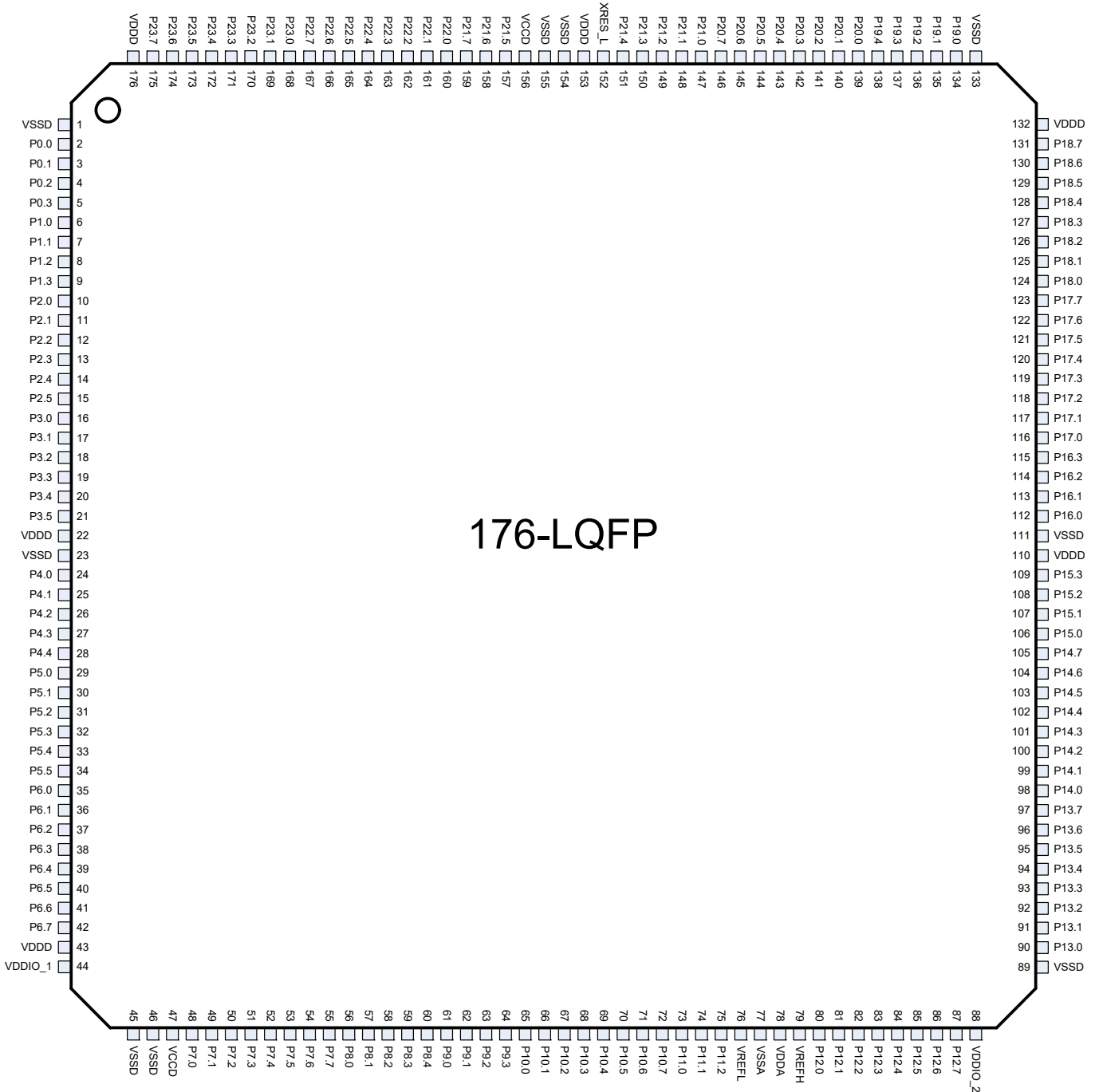


Figure 9-2.176-LQFP Pin Assignment with Alternate Functions

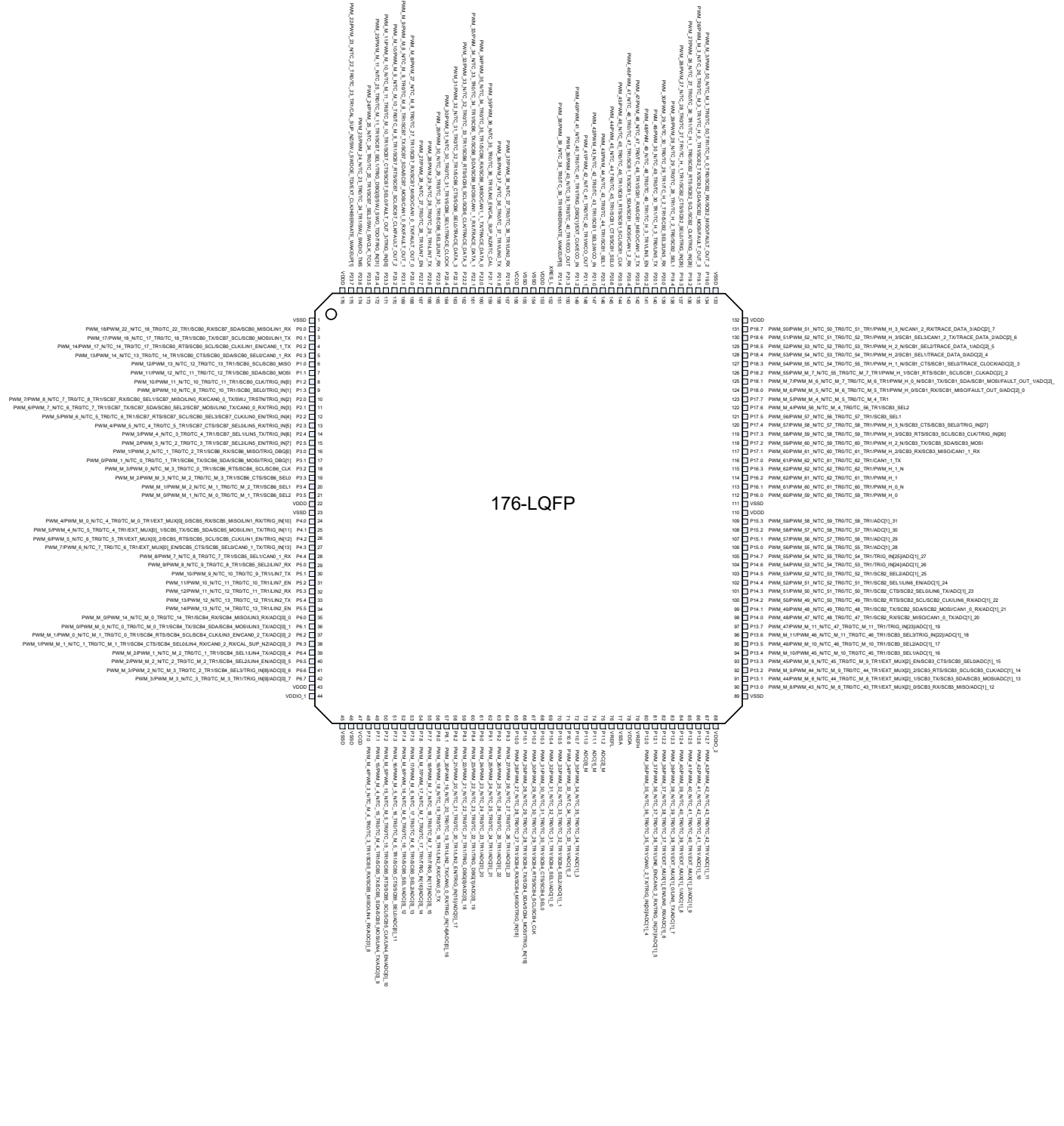


Figure 9-3.144-LQFP Pin Assignment

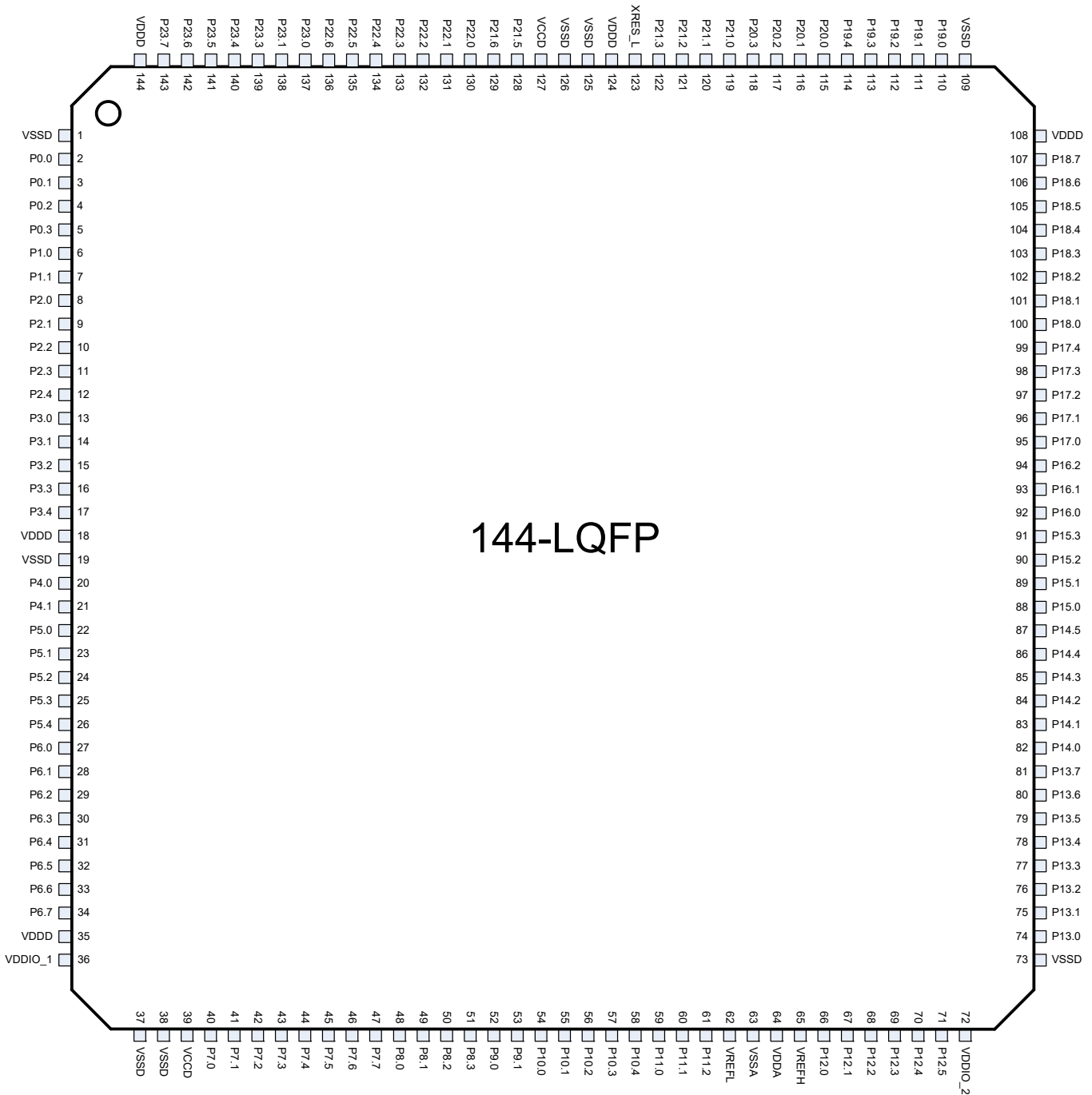


Figure 9-4.144-LQFP Pin Assignment with Alternate Functions

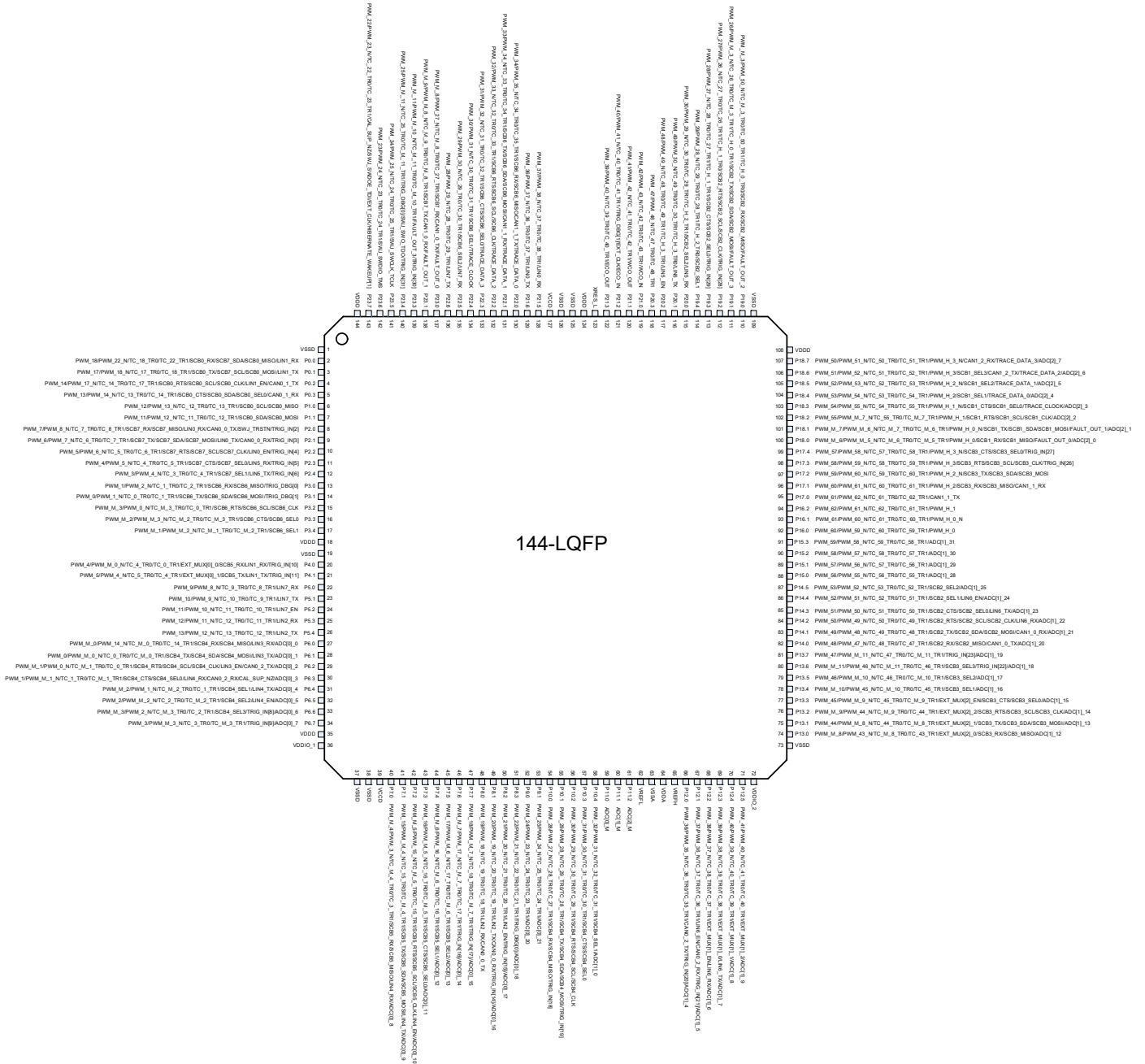


Figure 9-5.100-LQFP Pin Assignment

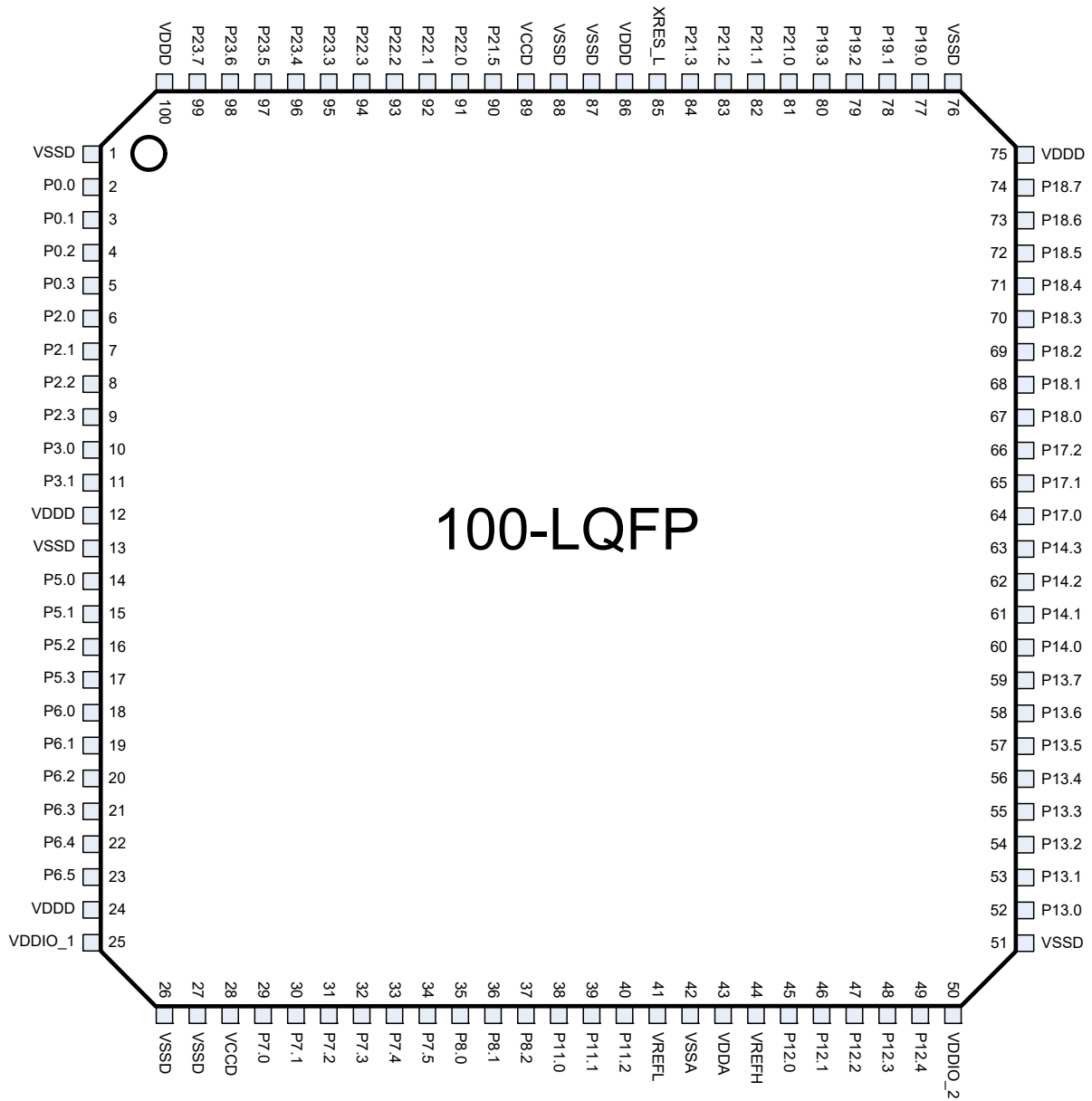


Figure 9-6.100-LQFP Pin Assignment with Alternate Functions

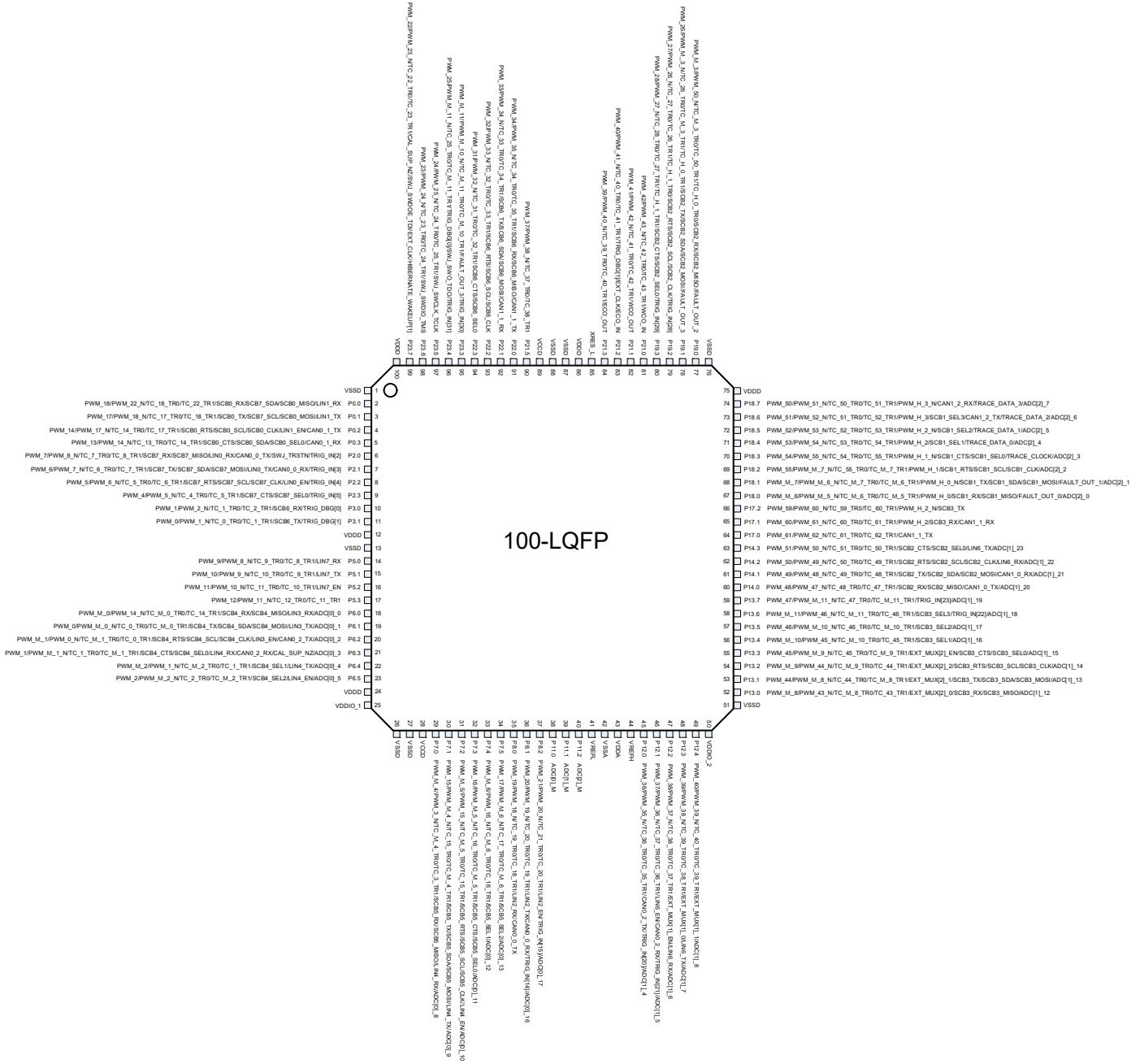


Figure 9-7.80-LQFP Pin Assignment

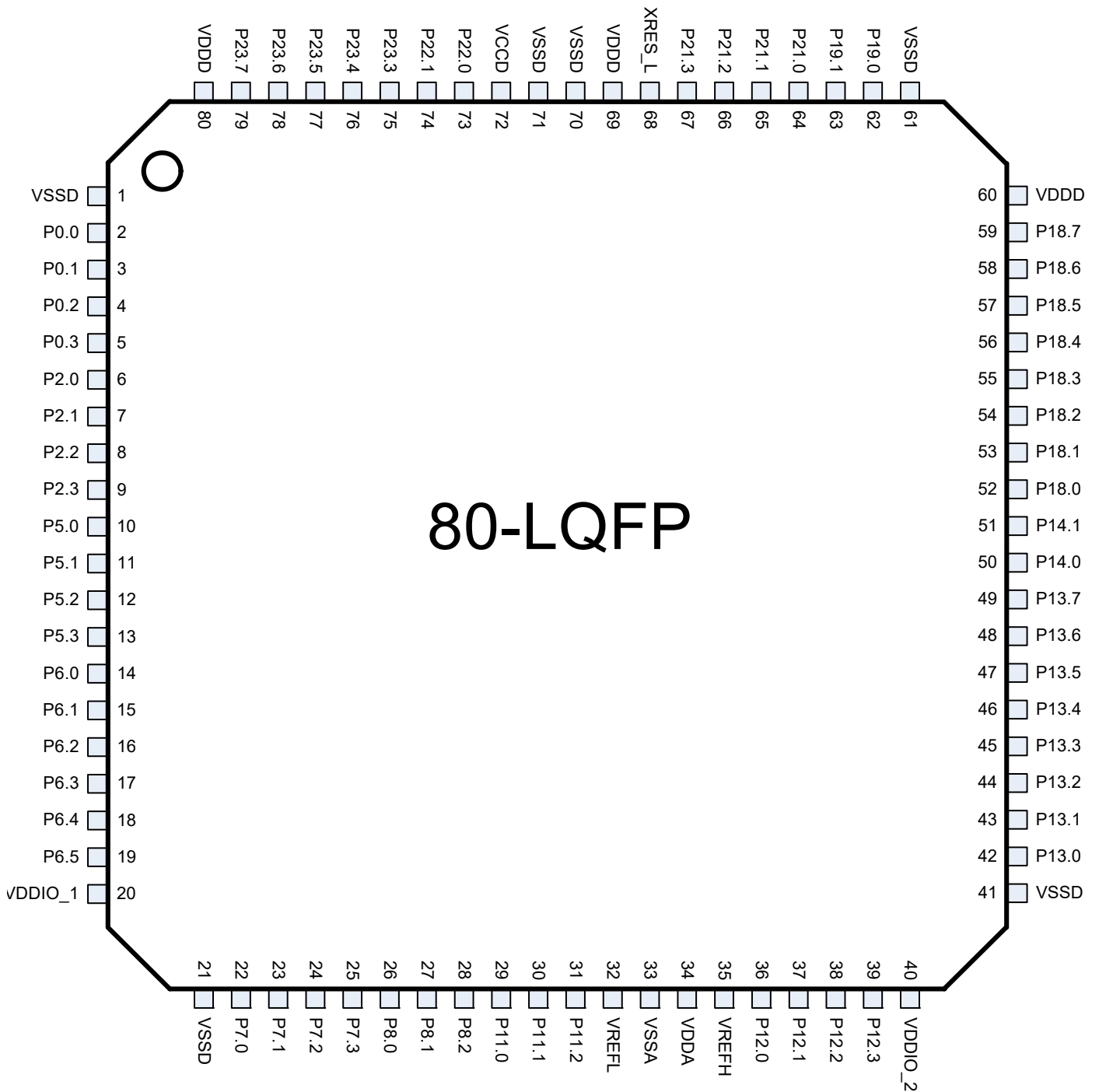


Figure 9-8.80-LQFP Pin Assignment with Alternate Functions

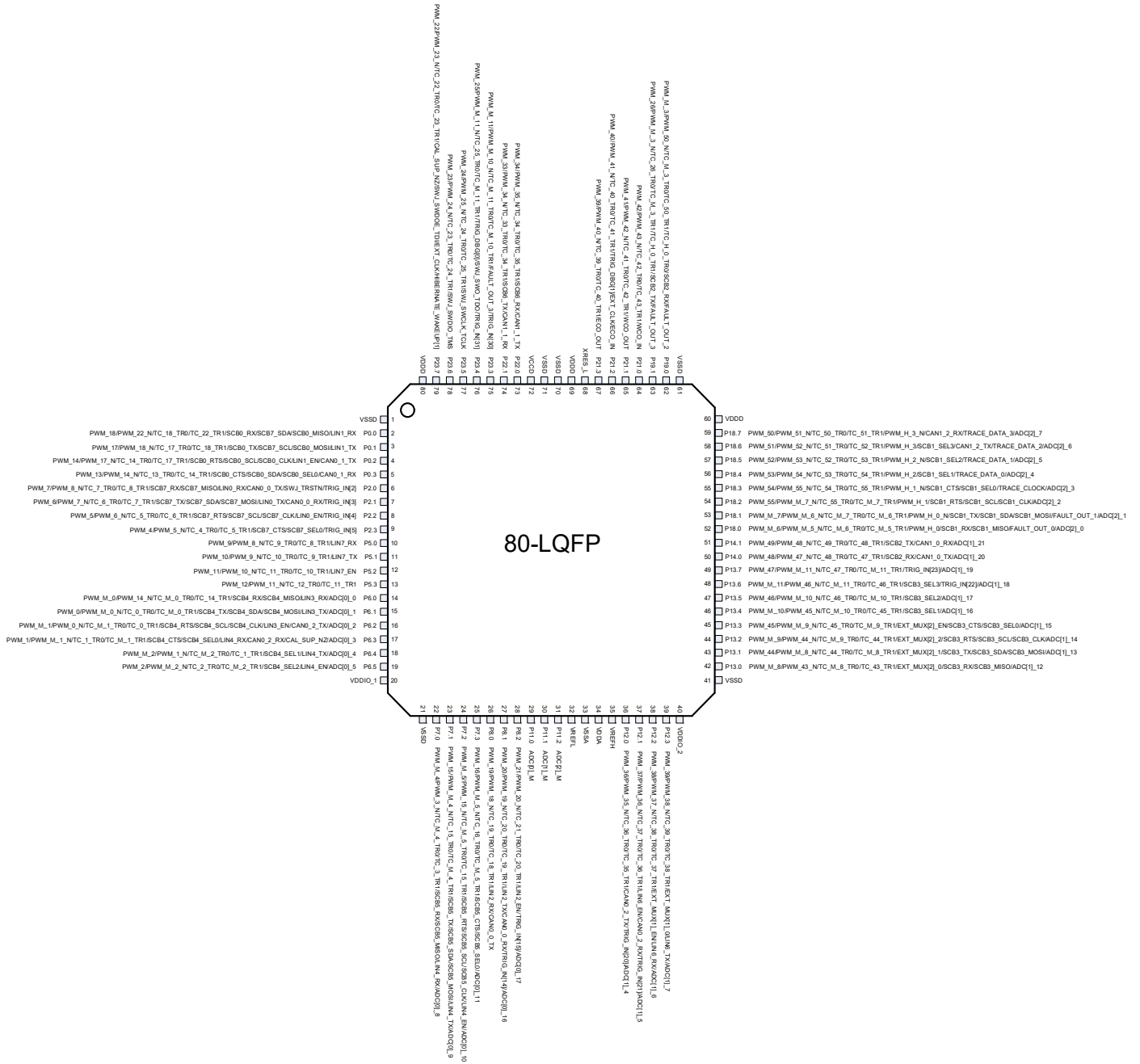


Figure 9-9.64-LQFP Pin Assignment

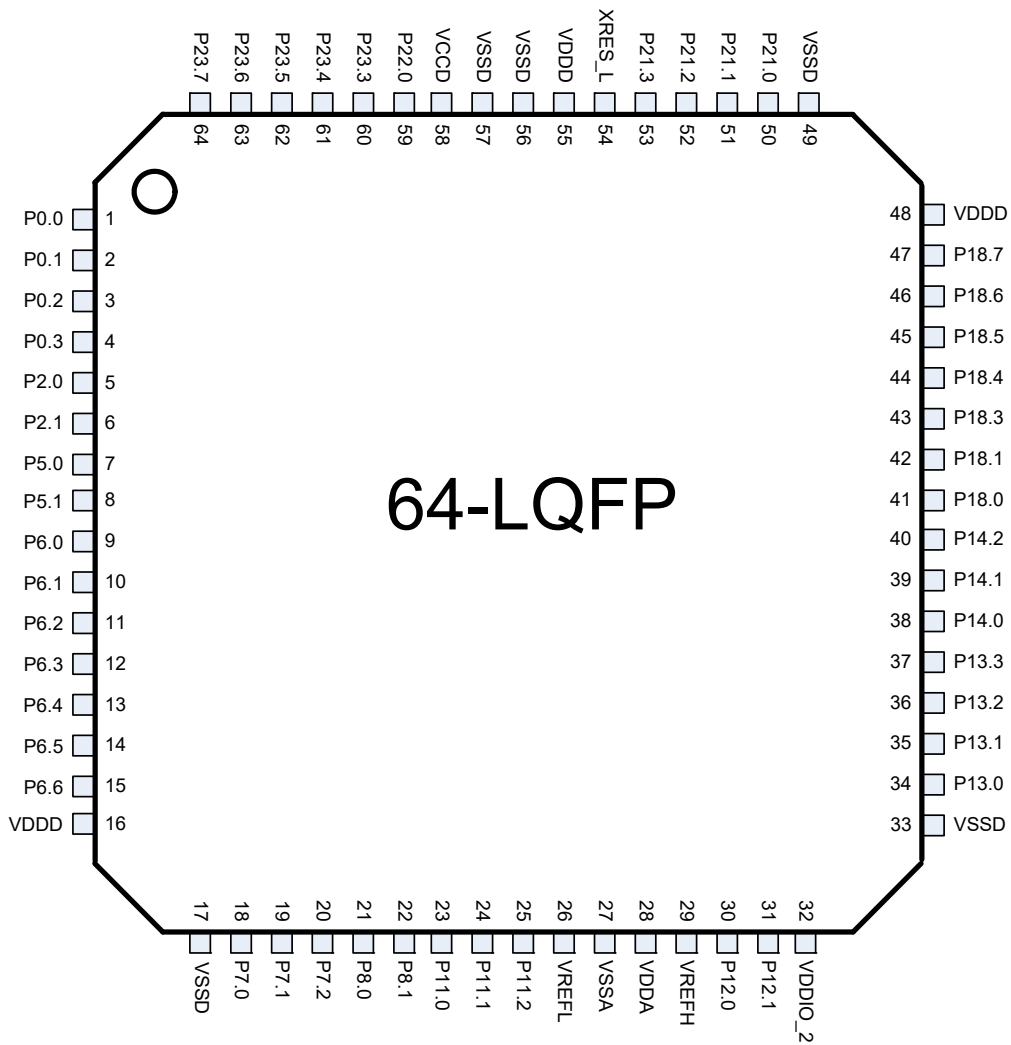
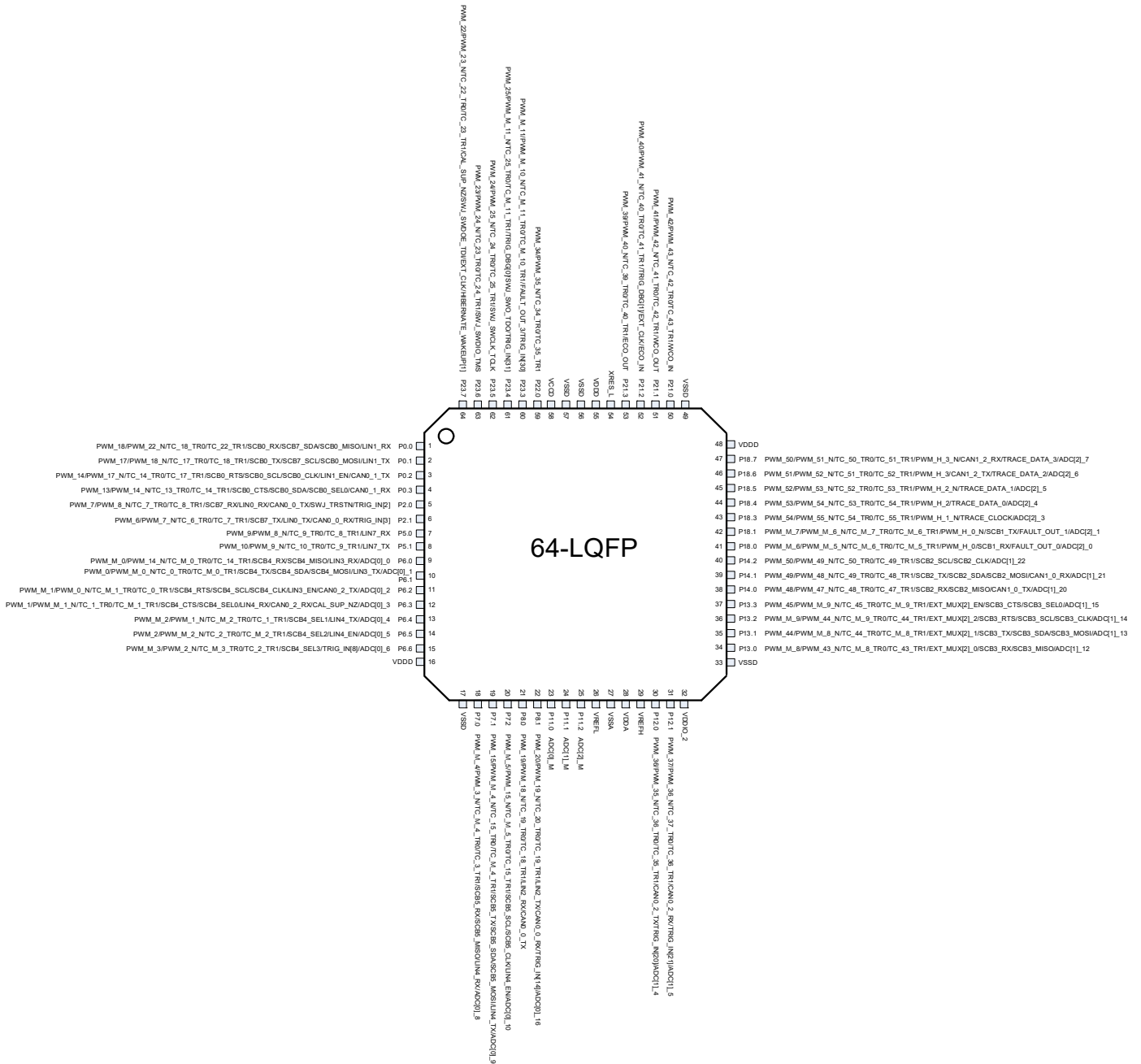


Figure 9-10.64-LQFP Pin Assignment with Alternate Functions



10. High-Speed I/O Matrix Connections

Table 10-1. HSIOM Connections Reference

Name	Number	Description
HSIOM_SEL_GPIO	0	GPIO controls 'out'
HSIOM_SEL_GPIO_DSI	1	GPIO controls 'out', DSI controls 'output enable'
HSIOM_SEL_DSI_DSI	2	DSI controls 'out' and 'output enable'
HSIOM_SEL_DSI_GPIO	3	DSI controls 'out', GPIO controls 'output enable'
HSIOM_SEL_AMUXA	4	Analog multiplexer bus A
HSIOM_SEL_AMUXB	5	Analog multiplexer bus B
HSIOM_SEL_AMUXA_DSI	6	Analog multiplexer bus A, DSI control
HSIOM_SEL_AMUXB_DSI	7	Analog multiplexer bus B, DSI control
HSIOM_SEL_ACT_0	8	Active functionality 0
HSIOM_SEL_ACT_1	9	Active functionality 1
HSIOM_SEL_ACT_2	10	Active functionality 2
HSIOM_SEL_ACT_3	11	Active functionality 3
HSIOM_SEL_DS_0	12	DeepSleep functionality 0
HSIOM_SEL_DS_1	13	DeepSleep functionality 1
HSIOM_SEL_DS_2	14	DeepSleep functionality 2
HSIOM_SEL_DS_3	15	DeepSleep functionality 3
HSIOM_SEL_ACT_4	16	Active functionality 4
HSIOM_SEL_ACT_5	17	Active functionality 5
HSIOM_SEL_ACT_6	18	Active functionality 6
HSIOM_SEL_ACT_7	19	Active functionality 7
HSIOM_SEL_ACT_8	20	Active functionality 8
HSIOM_SEL_ACT_9	21	Active functionality 9
HSIOM_SEL_ACT_10	22	Active functionality 10
HSIOM_SEL_ACT_11	23	Active functionality 11
HSIOM_SEL_ACT_12	24	Active functionality 12
HSIOM_SEL_ACT_13	25	Active functionality 13
HSIOM_SEL_ACT_14	26	Active functionality 14
HSIOM_SEL_ACT_15	27	Active functionality 15
HSIOM_SEL_DS_4	28	DeepSleep functionality 4
HSIOM_SEL_DS_5	29	DeepSleep functionality 5
HSIOM_SEL_DS_6	30	DeepSleep functionality 6
HSIOM_SEL_DS_7	31	DeepSleep functionality 7

11. Package Pin List and Alternate Functions

Most pins have alternate functionality, as specified in [Table 11-1](#).

Port 11 has the following additional features,

- Ability to pass full-level analog signals to the SAR without clipping to V_{DD} in cases where $V_{DD} < V_{DDA}$
- Ability to simultaneously capture all three ADC signals with highest priority (ADC[0:2]_M)
- Lower noise, for the most sensitive sensors

Table 11-1. Pin Selector and Alternate Pin Functions in DeepSleep (DS) Mode, Analog, Smart I/O

Name	Package						DeepSleep Mapping ^[20]			Analog	SMARTIO
	HCon#0 ^[18]	176-LQFP	144-LQFP	100-LQFP	80-LQFP	64-LQFP	HCon#14	HCon#29	HCon#30		
	I/O Type	Pin	Pin	Pin	Pin	Pin	DS #0 ^[19]	DS #1	DS #2		
P0.0	GPIO_ENH	2	2	2	2	1			SCB0_MISO		
P0.1	GPIO_ENH	3	3	3	3	2			SCB0_MOSI		
P0.2	GPIO_ENH	4	4	4	4	3	SCB0_SCL		SCB0_CLK		
P0.3	GPIO_ENH	5	5	5	5	4	SCB0_SDA		SCB0_SEL0		
P1.0	GPIO_STD	6	6	NA	NA	NA	SCB0_SCL		SCB0_MISO		
P1.1	GPIO_STD	7	7	NA	NA	NA	SCB0_SDA		SCB0_MOSI		
P1.2	GPIO_STD	8	NA	NA	NA	NA			SCB0_CLK		
P1.3	GPIO_STD	9	NA	NA	NA	NA			SCB0_SEL0		
P2.0	GPIO_STD	10	8	6	6	5		SWJ_TRSTN	SCB0_SEL1		
P2.1	GPIO_STD	11	9	7	7	6			SCB0_SEL2		
P2.2	GPIO_STD	12	10	8	8	NA			SCB0_SEL3		
P2.3	GPIO_STD	13	11	9	9	NA					
P2.4	GPIO_STD	14	12	NA	NA	NA					
P2.5	GPIO_STD	15	NA	NA	NA	NA					
P3.0	GPIO_STD	16	13	10	NA	NA					
P3.1	GPIO_STD	17	14	11	NA	NA					
P3.2	GPIO_STD	18	15	NA	NA	NA					

Notes

18. HCon refers to High Speed I/O matrix connection reference as per [Table 10-1](#).

19. DeepSleep ordering (DS #0, DS #1, DS #2) does not have any impact on choosing any alternate functions; the HSIOM module handles the individual alternate function assignment.

20. All port pin functions available in DeepSleep mode are also available in Active mode.

Table 11-1. Pin Selector and Alternate Pin Functions in DeepSleep (DS) Mode, Analog, Smart I/O (continued)

Name	Package						DeepSleep Mapping ^[20]			Analog	SMARTIO
	HCon#0 ^[18]	176-LQFP	144-LQFP	100-LQFP	80-LQFP	64-LQFP	HCon#14	HCon#29	HCon#30		
	I/O Type	Pin	Pin	Pin	Pin	Pin	DS #0 ^[19]	DS #1	DS #2		
P3.3	GPIO_STD	19	16	NA	NA	NA					
P3.4	GPIO_STD	20	17	NA	NA	NA					
P3.5	GPIO_STD	21	NA	NA	NA	NA					
P4.0	GPIO_STD	24	20	NA	NA	NA					
P4.1	GPIO_STD	25	21	NA	NA	NA					
P4.2	GPIO_STD	26	NA	NA	NA	NA					
P4.3	GPIO_STD	27	NA	NA	NA	NA					
P4.4	GPIO_STD	28	NA	NA	NA	NA					
P5.0	GPIO_STD	29	22	14	10	7					
P5.1	GPIO_STD	30	23	15	11	8					
P5.2	GPIO_STD	31	24	16	12	NA					
P5.3	GPIO_STD	32	25	17	13	NA					
P5.4	GPIO_STD	33	26	NA	NA	NA					
P5.5	GPIO_STD	34	NA	NA	NA	NA					
P6.0	GPIO_STD	35	27	18	14	9				ADC[0]_0	
P6.1	GPIO_STD	36	28	19	15	10				ADC[0]_1	
P6.2	GPIO_STD	37	29	20	16	11				ADC[0]_2	
P6.3	GPIO_STD	38	30	21	17	12				ADC[0]_3	
P6.4	GPIO_STD	39	31	22	18	13				ADC[0]_4	
P6.5	GPIO_STD	40	32	23	19	14				ADC[0]_5	
P6.6	GPIO_STD	41	33	NA	NA	15				ADC[0]_6	
P6.7	GPIO_STD	42	34	NA	NA	NA				ADC[0]_7	
P7.0	GPIO_STD	48	40	29	22	18				ADC[0]_8	
P7.1	GPIO_STD	49	41	30	23	19				ADC[0]_9	
P7.2	GPIO_STD	50	42	31	24	20				ADC[0]_10	
P7.3	GPIO_STD	51	43	32	25	NA				ADC[0]_11	
P7.4	GPIO_STD	52	44	33	NA	NA				ADC[0]_12	
P7.5	GPIO_STD	53	45	34	NA	NA				ADC[0]_13	

Table 11-1. Pin Selector and Alternate Pin Functions in DeepSleep (DS) Mode, Analog, Smart I/O (continued)

Name	Package						DeepSleep Mapping ^[20]			Analog	SMARTIO
	HCon#0 ^[18]	176-LQFP	144-LQFP	100-LQFP	80-LQFP	64-LQFP	HCon#14	HCon#29	HCon#30		
	I/O Type	Pin	Pin	Pin	Pin	Pin	DS #0 ^[19]	DS #1	DS #2		
P7.6	GPIO_STD	54	46	NA	NA	NA				ADC[0]_14	
P7.7	GPIO_STD	55	47	NA	NA	NA				ADC[0]_15	
P8.0	GPIO_STD	56	48	35	26	21					
P8.1	GPIO_STD	57	49	36	27	22				ADC[0]_16	
P8.2	GPIO_STD	58	50	37	28	NA				ADC[0]_17	
P8.3	GPIO_STD	59	51	NA	NA	NA				ADC[0]_18	
P8.4	GPIO_STD	60	NA	NA	NA	NA				ADC[0]_19	
P9.0	GPIO_STD	61	52	NA	NA	NA				ADC[0]_20	
P9.1	GPIO_STD	62	53	NA	NA	NA				ADC[0]_21	
P9.2	GPIO_STD	63	NA	NA	NA	NA				ADC[0]_22	
P9.3	GPIO_STD	64	NA	NA	NA	NA				ADC[0]_23	
P10.0	GPIO_STD	65	54	NA	NA	NA					
P10.1	GPIO_STD	66	55	NA	NA	NA					
P10.2	GPIO_STD	67	56	NA	NA	NA					
P10.3	GPIO_STD	68	57	NA	NA	NA					
P10.4	GPIO_STD	69	58	NA	NA	NA				ADC[1]_0	
P10.5	GPIO_STD	70	NA	NA	NA	NA				ADC[1]_1	
P10.6	GPIO_STD	71	NA	NA	NA	NA				ADC[1]_2	
P10.7	GPIO_STD	72	NA	NA	NA	NA				ADC[1]_3	
P11.0	GPIO_STD	73	59	38	29	23				ADC[0]_M	
P11.1	GPIO_STD	74	60	39	30	24				ADC[1]_M	
P11.2	GPIO_STD	75	61	40	31	25				ADC[2]_M	
P12.0	GPIO_STD	80	66	45	36	30				ADC[1]_4	SMARTIO12_0
P12.1	GPIO_STD	81	67	46	37	31				ADC[1]_5	SMARTIO12_1
P12.2	GPIO_STD	82	68	47	38	NA				ADC[1]_6	SMARTIO12_2
P12.3	GPIO_STD	83	69	48	39	NA				ADC[1]_7	SMARTIO12_3
P12.4	GPIO_STD	84	70	49	NA	NA				ADC[1]_8	SMARTIO12_4
P12.5	GPIO_STD	85	71	NA	NA	NA				ADC[1]_9	SMARTIO12_5

Table 11-1. Pin Selector and Alternate Pin Functions in DeepSleep (DS) Mode, Analog, Smart I/O (continued)

Name	Package						DeepSleep Mapping ^[20]			Analog	SMARTIO
	HCon#0 ^[18]	176-LQFP	144-LQFP	100-LQFP	80-LQFP	64-LQFP	HCon#14	HCon#29	HCon#30		
	I/O Type	Pin	Pin	Pin	Pin	Pin	DS #0 ^[19]	DS #1	DS #2		
P12.6	GPIO_STD	86	NA	NA	NA	NA				ADC[1]_10	SMARTIO12_6
P12.7	GPIO_STD	87	NA	NA	NA	NA				ADC[1]_11	SMARTIO12_7
P13.0	GPIO_STD	90	74	52	42	34				ADC[1]_12	SMARTIO13_0
P13.1	GPIO_STD	91	75	53	43	35				ADC[1]_13	SMARTIO13_1
P13.2	GPIO_STD	92	76	54	44	36				ADC[1]_14	SMARTIO13_2
P13.3	GPIO_STD	93	77	55	45	37				ADC[1]_15	SMARTIO13_3
P13.4	GPIO_STD	94	78	56	46	NA				ADC[1]_16	SMARTIO13_4
P13.5	GPIO_STD	95	79	57	47	NA				ADC[1]_17	SMARTIO13_5
P13.6	GPIO_STD	96	80	58	48	NA				ADC[1]_18	SMARTIO13_6
P13.7	GPIO_STD	97	81	59	49	NA				ADC[1]_19	SMARTIO13_7
P14.0	GPIO_STD	98	82	60	50	38				ADC[1]_20	SMARTIO14_0
P14.1	GPIO_STD	99	83	61	51	39				ADC[1]_21	SMARTIO14_1
P14.2	GPIO_STD	100	84	62	NA	40				ADC[1]_22	SMARTIO14_2
P14.3	GPIO_STD	101	85	63	NA	NA				ADC[1]_23	SMARTIO14_3
P14.4	GPIO_STD	102	86	NA	NA	NA				ADC[1]_24	SMARTIO14_4
P14.5	GPIO_STD	103	87	NA	NA	NA				ADC[1]_25	SMARTIO14_5
P14.6	GPIO_STD	104	NA	NA	NA	NA				ADC[1]_26	SMARTIO14_6
P14.7	GPIO_STD	105	NA	NA	NA	NA				ADC[1]_27	SMARTIO14_7
P15.0	GPIO_STD	106	88	NA	NA	NA				ADC[1]_28	SMARTIO15_0
P15.1	GPIO_STD	107	89	NA	NA	NA				ADC[1]_29	SMARTIO15_1
P15.2	GPIO_STD	108	90	NA	NA	NA				ADC[1]_30	SMARTIO15_2
P15.3	GPIO_STD	109	91	NA	NA	NA				ADC[1]_31	SMARTIO15_3
P16.0	GPIO_STD	112	92	NA	NA	NA					
P16.1	GPIO_STD	113	93	NA	NA	NA					
P16.2	GPIO_STD	114	94	NA	NA	NA					
P16.3	GPIO_STD	115	NA	NA	NA	NA					
P17.0	GPIO_STD	116	95	64	NA	NA					SMARTIO17_0
P17.1	GPIO_STD	117	96	65	NA	NA					SMARTIO17_1

Table 11-1. Pin Selector and Alternate Pin Functions in DeepSleep (DS) Mode, Analog, Smart I/O (continued)

Name	Package						DeepSleep Mapping ^[20]			Analog	SMARTIO
	HCon#0 ^[18]	176-LQFP	144-LQFP	100-LQFP	80-LQFP	64-LQFP	HCon#14	HCon#29	HCon#30		
	I/O Type	Pin	Pin	Pin	Pin	Pin	DS #0 ^[19]	DS #1	DS #2		
P17.2	GPIO_STD	118	97	66	NA	NA					SMARTIO17_2
P17.3	GPIO_STD	119	98	NA	NA	NA					SMARTIO17_3
P17.4	GPIO_STD	120	99	NA	NA	NA					SMARTIO17_4
P17.5	GPIO_STD	121	NA	NA	NA	NA					SMARTIO17_5
P17.6	GPIO_STD	122	NA	NA	NA	NA					SMARTIO17_6
P17.7	GPIO_STD	123	NA	NA	NA	NA					SMARTIO17_7
P18.0	GPIO_STD	124	100	67	52	41				ADC[2]_0	
P18.1	GPIO_STD	125	101	68	53	42				ADC[2]_1	
P18.2	GPIO_STD	126	102	69	54	NA				ADC[2]_2	
P18.3	GPIO_STD	127	103	70	55	43				ADC[2]_3	
P18.4	GPIO_STD	128	104	71	56	44				ADC[2]_4	
P18.5	GPIO_STD	129	105	72	57	45				ADC[2]_5	
P18.6	GPIO_STD	130	106	73	58	46				ADC[2]_6	
P18.7	GPIO_STD	131	107	74	59	47				ADC[2]_7	
P19.0	GPIO_STD	134	110	77	62	NA					
P19.1	GPIO_STD	135	111	78	63	NA					
P19.2	GPIO_STD	136	112	79	NA	NA					
P19.3	GPIO_STD	137	113	80	NA	NA					
P19.4	GPIO_STD	138	114	NA	NA	NA					
P20.0	GPIO_STD	139	115	NA	NA	NA					
P20.1	GPIO_STD	140	116	NA	NA	NA					
P20.2	GPIO_STD	141	117	NA	NA	NA					
P20.3	GPIO_STD	142	118	NA	NA	NA					
P20.4	GPIO_STD	143	NA	NA	NA	NA					
P20.5	GPIO_STD	144	NA	NA	NA	NA					
P20.6	GPIO_STD	145	NA	NA	NA	NA					
P20.7	GPIO_STD	146	NA	NA	NA	NA					
P21.0	GPIO_STD	147	119	81	64	50				WCO_IN ^[21]	

Table 11-1. Pin Selector and Alternate Pin Functions in DeepSleep (DS) Mode, Analog, Smart I/O (continued)

Name	Package						DeepSleep Mapping ^[20]			Analog	SMARTIO
	HCon#0 ^[18]	176-LQFP	144-LQFP	100-LQFP	80-LQFP	64-LQFP	HCon#14	HCon#29	HCon#30		
	I/O Type	Pin	Pin	Pin	Pin	Pin	DS #0 ^[19]	DS #1	DS #2		
P21.1	GPIO_STD	148	120	82	65	51				WCO_OUT ^[21]	
P21.2	GPIO_STD	149	121	83	66	52				ECO_IN ^[21]	
P21.3	GPIO_STD	150	122	84	67	53				ECO_OUT ^[21]	
P21.4	GPIO_STD	151	NA	NA	NA	NA				HIBERNATE_WAKEUP[0] ^[22]	
P21.5	GPIO_STD	157	128	90	NA	NA					
P21.6	GPIO_STD	158	129	NA	NA	NA					
P21.7	GPIO_STD	159	NA	NA	NA	NA		RTC_CAL			
P22.0	GPIO_STD	160	130	91	73	59					
P22.1	GPIO_STD	161	131	92	74	NA					
P22.2	GPIO_STD	162	132	93	NA	NA					
P22.3	GPIO_STD	163	133	94	NA	NA					
P22.4	GPIO_STD	164	134	NA	NA	NA					
P22.5	GPIO_STD	165	135	NA	NA	NA					
P22.6	GPIO_STD	166	136	NA	NA	NA					
P22.7	GPIO_STD	167	NA	NA	NA	NA					
P23.0	GPIO_STD	168	137	NA	NA	NA					
P23.1	GPIO_STD	169	138	NA	NA	NA					
P23.2	GPIO_STD	170	NA	NA	NA	NA					
P23.3	GPIO_STD	171	139	95	75	60					
P23.4	GPIO_STD	172	140	96	76	61		SWJ_SWO_TDO			
P23.5	GPIO_STD	173	141	97	77	62		SWJ_SWCLK_TCLK			
P23.6	GPIO_STD	174	142	98	78	63		SWJ_SWDIO_TMS			
P23.7	GPIO_STD	175	143	99	79	64		SWJ_SWDOE_TDI		HIBERNATE_WAKEUP[1] ^[22]	

Notes

21. I/O pins that support an oscillator function (WCO or ECO) must be configured for high-impedance if the oscillator is enabled.
 22. This I/O has increased leakage to ground when the V_{DD} supply is below the POR threshold.

12. Power Pin Assignments

Table 12-1. Power Pin Assignments

Name	Package					Remarks
	64-LQFP	80-LQFP	100-LQFP	144-LQFP	176-LQFP	
VDDD	55, 48, 16	80, 69, 60	100, 86, 75, 24, 12	144, 124, 108, 35, 18	176, 153, 132, 110, 43, 22	Main digital supply
VSSD	57, 56, 49, 33, 17	71, 70, 61, 41, 21, 1	88, 87, 76, 51, 27, 26, 13, 1	126, 125, 109, 73, 38, 37, 19, 1	155, 154, 133, 111, 89, 46, 45, 23, 1	Main digital ground
VDDIO_1	NA	20	25	36	44	I/O supply for analog I/Os (except analog I/Os on V _{DDA})
VDDIO_2	32	40	50	72	88	I/O supply for analog I/Os (except analog I/Os on V _{DDA}), P11
VCCD ^[23]	58	72	89, 28	127, 39	156, 47	Main regulated supply. Driven by LDO regulator (either internal LDO or external LDO/PMIC)
VREFH	29	35	44	65	79	High reference voltage for SAR ADCs
VREFL	26	32	41	62	76	Low reference voltage for SAR ADCs
VDDA	28	34	43	64	78	Main analog supply for SAR ADCs
VSSA	27	33	42	63	77	Main analog ground
XRES_L	54	68	85	123	152	Active LOW external reset input

Note

23. The V_{CCD} pins must be connected together to ensure a low-impedance connection. (see the requirement in [Figure 26-2](#).)

13. Alternate Function Pin Assignments

Table 13-1. Alternate Pin Functions in Active Mode

Name	Active Mapping											
	HCon#8 ^[24]	HCon#9	HCon#10	HCon#11	HCon#16	HCon#17	HCon#18	HCon#19	HCon#20	HCon#21	HCon#26	HCon#27
	ACT #0 ^[25]	ACT #1	ACT #2	ACT #3	ACT #4	ACT #5	ACT #6	ACT #7	ACT #8	ACT #9	ACT #10	ACT #11
P0.0	PWM_18	PWM_22_N	TC_18_TR0	TC_22_TR1		SCB0_RX	SCB7_SDA		LIN1_RX			
P0.1	PWM_17	PWM_18_N	TC_17_TR0	TC_18_TR1		SCB0_TX	SCB7_SCL		LIN1_TX			
P0.2	PWM_14	PWM_17_N	TC_14_TR0	TC_17_TR1		SCB0_RTS			LIN1_EN	CAN0_1_TX		
P0.3	PWM_13	PWM_14_N	TC_13_TR0	TC_14_TR1		SCB0_CTS				CAN0_1_RX		
P1.0	PWM_12	PWM_13_N	TC_12_TR0	TC_13_TR1								
P1.1	PWM_11	PWM_12_N	TC_11_TR0	TC_12_TR1								
P1.2	PWM_10	PWM_11_N	TC_10_TR0	TC_11_TR1								TRIG_IN[0]
P1.3	PWM_8	PWM_10_N	TC_8_TR0	TC_10_TR1								TRIG_IN[1]
P2.0	PWM_7	PWM_8_N	TC_7_TR0	TC_8_TR1		SCB7_RX		SCB7_MISO	LIN0_RX	CAN0_0_TX	TRIG_IN[2]	
P2.1	PWM_6	PWM_7_N	TC_6_TR0	TC_7_TR1		SCB7_TX	SCB7_SDA	SCB7_MOSI	LIN0_TX	CAN0_0_RX	TRIG_IN[3]	
P2.2	PWM_5	PWM_6_N	TC_5_TR0	TC_6_TR1		SCB7_RTS	SCB7_SCL	SCB7_CLK	LIN0_EN		TRIG_IN[4]	
P2.3	PWM_4	PWM_5_N	TC_4_TR0	TC_5_TR1		SCB7_CTS		SCB7_SEL0	LIN5_RX		TRIG_IN[5]	
P2.4	PWM_3	PWM_4_N	TC_3_TR0	TC_4_TR1				SCB7_SEL1	LIN5_TX		TRIG_IN[6]	
P2.5	PWM_2	PWM_3_N	TC_2_TR0	TC_3_TR1				SCB7_SEL2	LIN5_EN		TRIG_IN[7]	
P3.0	PWM_1	PWM_2_N	TC_1_TR0	TC_2_TR1		SCB6_RX		SCB6_MISO				TRIG_DBG[0]
P3.1	PWM_0	PWM_1_N	TC_0_TR0	TC_1_TR1		SCB6_TX	SCB6_SDA	SCB6_MOSI				TRIG_DBG[1]
P3.2	PWM_M_3	PWM_0_N	TC_M_3_TR0	TC_0_TR1		SCB6_RTS	SCB6_SCL	SCB6_CLK				
P3.3	PWM_M_2	PWM_M_3_N	TC_M_2_TR0	TC_M_3_TR1		SCB6_CTS		SCB6_SEL0				
P3.4	PWM_M_1	PWM_M_2_N	TC_M_1_TR0	TC_M_2_TR1				SCB6_SEL1				
P3.5	PWM_M_0	PWM_M_1_N	TC_M_0_TR0	TC_M_1_TR1				SCB6_SEL2				
P4.0	PWM_4	PWM_M_0_N	TC_4_TR0	TC_M_0_TR1	EXT_MUX[0]_0	SCB5_RX		SCB5_MISO	LIN1_RX		TRIG_IN[10]	
P4.1	PWM_5	PWM_4_N	TC_5_TR0	TC_4_TR1	EXT_MUX[0]_1	SCB5_TX	SCB5_SDA	SCB5_MOSI	LIN1_TX		TRIG_IN[11]	
P4.2	PWM_6	PWM_5_N	TC_6_TR0	TC_5_TR1	EXT_MUX[0]_2	SCB5_RTS	SCB5_SCL	SCB5_CLK	LIN1_EN		TRIG_IN[12]	

Notes:

24. High Speed I/O matrix connection (HCon) reference as per [Table 10-1](#).

25. Active Mode ordering (ACT#0, ACT#1, and so on) does not have any impact on configuring alternate functions; the HSIOM module handles the alternate function assignments.

Table 13-1. Alternate Pin Functions in Active Mode (continued)

Name	Active Mapping											
	HCon#8 ^[24]	HCon#9	HCon#10	HCon#11	HCon#16	HCon#17	HCon#18	HCon#19	HCon#20	HCon#21	HCon#26	HCon#27
	ACT #0 ^[25]	ACT #1	ACT #2	ACT #3	ACT #4	ACT #5	ACT #6	ACT #7	ACT #8	ACT #9	ACT #10	ACT #11
P4.3	PWM_7	PWM_6_N	TC_7_TR0	TC_6_TR1	EXT_MUX[0]_EN	SCB5_CTS		SCB5_SEL0		CAN0_1_TX	TRIG_IN[13]	
P4.4	PWM_8	PWM_7_N	TC_8_TR0	TC_7_TR1				SCB5_SEL1		CAN0_1_RX		
P5.0	PWM_9	PWM_8_N	TC_9_TR0	TC_8_TR1				SCB5_SEL2	LIN7_RX			
P5.1	PWM_10	PWM_9_N	TC_10_TR0	TC_9_TR1					LIN7_TX			
P5.2	PWM_11	PWM_10_N	TC_11_TR0	TC_10_TR1					LIN7_EN			
P5.3	PWM_12	PWM_11_N	TC_12_TR0	TC_11_TR1					LIN2_RX			
P5.4	PWM_13	PWM_12_N	TC_13_TR0	TC_12_TR1					LIN2_TX			
P5.5	PWM_14	PWM_13_N	TC_14_TR0	TC_13_TR1					LIN2_EN			
P6.0	PWM_M_0	PWM_14_N	TC_M_0_TR0	TC_14_TR1		SCB4_RX		SCB4_MISO	LIN3_RX			
P6.1	PWM_0	PWM_M_0_N	TC_0_TR0	TC_M_0_TR1		SCB4_TX	SCB4_SDA	SCB4_MOSI	LIN3_TX			
P6.2	PWM_M_1	PWM_0_N	TC_M_1_TR0	TC_0_TR1		SCB4_RTS	SCB4_SCL	SCB4_CLK	LIN3_EN	CAN0_2_TX		
P6.3	PWM_1	PWM_M_1_N	TC_1_TR0	TC_M_1_TR1		SCB4_CTS		SCB4_SEL0	LIN4_RX	CAN0_2_RX		CAL_SUP_NZ
P6.4	PWM_M_2	PWM_1_N	TC_M_2_TR0	TC_1_TR1				SCB4_SEL1	LIN4_TX			
P6.5	PWM_2	PWM_M_2_N	TC_2_TR0	TC_M_2_TR1				SCB4_SEL2	LIN4_EN			
P6.6	PWM_M_3	PWM_2_N	TC_M_3_TR0	TC_2_TR1				SCB4_SEL3			TRIG_IN[8]	
P6.7	PWM_3	PWM_M_3_N	TC_3_TR0	TC_M_3_TR1							TRIG_IN[9]	
P7.0	PWM_M_4	PWM_3_N	TC_M_4_TR0	TC_3_TR1		SCB5_RX		SCB5_MISO	LIN4_RX			
P7.1	PWM_15	PWM_M_4_N	TC_15_TR0	TC_M_4_TR1		SCB5_TX	SCB5_SDA	SCB5_MOSI	LIN4_TX			
P7.2	PWM_M_5	PWM_15_N	TC_M_5_TR0	TC_15_TR1		SCB5_RTS	SCB5_SCL	SCB5_CLK	LIN4_EN			
P7.3	PWM_16	PWM_M_5_N	TC_16_TR0	TC_M_5_TR1		SCB5_CTS		SCB5_SEL0				
P7.4	PWM_M_6	PWM_16_N	TC_M_6_TR0	TC_16_TR1				SCB5_SEL1				
P7.5	PWM_17	PWM_M_6_N	TC_17_TR0	TC_M_6_TR1				SCB5_SEL2				
P7.6	PWM_M_7	PWM_17_N	TC_M_7_TR0	TC_17_TR1							TRIG_IN[16]	
P7.7	PWM_18	PWM_M_7_N	TC_18_TR0	TC_M_7_TR1							TRIG_IN[17]	
P8.0	PWM_19	PWM_18_N	TC_19_TR0	TC_18_TR1					LIN2_RX	CAN0_0_TX		
P8.1	PWM_20	PWM_19_N	TC_20_TR0	TC_19_TR1					LIN2_TX	CAN0_0_RX	TRIG_IN[14]	
P8.2	PWM_21	PWM_20_N	TC_21_TR0	TC_20_TR1					LIN2_EN		TRIG_IN[15]	
P8.3	PWM_22	PWM_21_N	TC_22_TR0	TC_21_TR1								TRIG_DBG[0]

Table 13-1. Alternate Pin Functions in Active Mode (continued)

Name	Active Mapping											
	HCon#8 ^[24]	HCon#9	HCon#10	HCon#11	HCon#16	HCon#17	HCon#18	HCon#19	HCon#20	HCon#21	HCon#26	HCon#27
	ACT #0 ^[25]	ACT #1	ACT #2	ACT #3	ACT #4	ACT #5	ACT #6	ACT #7	ACT #8	ACT #9	ACT #10	ACT #11
P8.4	PWM_23	PWM_22_N	TC_23_TR0	TC_22_TR1								TRIG_DBG[1]
P9.0	PWM_24	PWM_23_N	TC_24_TR0	TC_23_TR1								
P9.1	PWM_25	PWM_24_N	TC_25_TR0	TC_24_TR1								
P9.2	PWM_26	PWM_25_N	TC_26_TR0	TC_25_TR1								
P9.3	PWM_27	PWM_26_N	TC_27_TR0	TC_26_TR1								
P10.0	PWM_28	PWM_27_N	TC_28_TR0	TC_27_TR1		SCB4_RX		SCB4_MISO			TRIG_IN[18]	
P10.1	PWM_29	PWM_28_N	TC_29_TR0	TC_28_TR1		SCB4_TX	SCB4_SDA	SCB4_MOSI			TRIG_IN[19]	
P10.2	PWM_30	PWM_29_N	TC_30_TR0	TC_29_TR1		SCB4_RTS	SCB4_SCL	SCB4_CLK				
P10.3	PWM_31	PWM_30_N	TC_31_TR0	TC_30_TR1		SCB4_CTS		SCB4_SEL0				
P10.4	PWM_32	PWM_31_N	TC_32_TR0	TC_31_TR1				SCB4_SEL1				
P10.5	PWM_33	PWM_32_N	TC_33_TR0	TC_32_TR1				SCB4_SEL2				
P10.6	PWM_34	PWM_33_N	TC_34_TR0	TC_33_TR1								
P10.7	PWM_35	PWM_34_N	TC_35_TR0	TC_34_TR1								
P11.0												
P11.1												
P11.2												
P12.0	PWM_36	PWM_35_N	TC_36_TR0	TC_35_TR1						CAN0_2_TX	TRIG_IN[20]	
P12.1	PWM_37	PWM_36_N	TC_37_TR0	TC_36_TR1					LIN6_EN	CAN0_2_RX	TRIG_IN[21]	
P12.2	PWM_38	PWM_37_N	TC_38_TR0	TC_37_TR1	EXT_MUX[1]_EN				LIN6_RX			
P12.3	PWM_39	PWM_38_N	TC_39_TR0	TC_38_TR1	EXT_MUX[1]_0				LIN6_TX			
P12.4	PWM_40	PWM_39_N	TC_40_TR0	TC_39_TR1	EXT_MUX[1]_1							
P12.5	PWM_41	PWM_40_N	TC_41_TR0	TC_40_TR1	EXT_MUX[1]_2							
P12.6	PWM_42	PWM_41_N	TC_42_TR0	TC_41_TR1								
P12.7	PWM_43	PWM_42_N	TC_43_TR0	TC_42_TR1								
P13.0	PWM_M_8	PWM_43_N	TC_M_8_TR0	TC_43_TR1	EXT_MUX[2]_0	SCB3_RX		SCB3_MISO				
P13.1	PWM_44	PWM_M_8_N	TC_44_TR0	TC_M_8_TR1	EXT_MUX[2]_1	SCB3_TX	SCB3_SDA	SCB3_MOSI				
P13.2	PWM_M_9	PWM_44_N	TC_M_9_TR0	TC_44_TR1	EXT_MUX[2]_2	SCB3_RTS	SCB3_SCL	SCB3_CLK				
P13.3	PWM_45	PWM_M_9_N	TC_45_TR0	TC_M_9_TR1	EXT_MUX[2]_EN	SCB3_CTS		SCB3_SEL0				

Table 13-1. Alternate Pin Functions in Active Mode (continued)

Name	Active Mapping											
	HCon#8 ^[24]	HCon#9	HCon#10	HCon#11	HCon#16	HCon#17	HCon#18	HCon#19	HCon#20	HCon#21	HCon#26	HCon#27
	ACT #0 ^[25]	ACT #1	ACT #2	ACT #3	ACT #4	ACT #5	ACT #6	ACT #7	ACT #8	ACT #9	ACT #10	ACT #11
P13.4	PWM_M_10	PWM_45_N	TC_M_10_TR0	TC_45_TR1				SCB3_SEL1				
P13.5	PWM_46	PWM_M_10_N	TC_46_TR0	TC_M_10_TR1				SCB3_SEL2				
P13.6	PWM_M_11	PWM_46_N	TC_M_11_TR0	TC_46_TR1				SCB3_SEL3			TRIG_IN[22]	
P13.7	PWM_47	PWM_M_11_N	TC_47_TR0	TC_M_11_TR1							TRIG_IN[23]	
P14.0	PWM_48	PWM_47_N	TC_48_TR0	TC_47_TR1		SCB2_RX		SCB2_MISO		CAN1_0_TX		
P14.1	PWM_49	PWM_48_N	TC_49_TR0	TC_48_TR1		SCB2_TX	SCB2_SDA	SCB2_MOSI		CAN1_0_RX		
P14.2	PWM_50	PWM_49_N	TC_50_TR0	TC_49_TR1		SCB2_RTS	SCB2_SCL	SCB2_CLK	LIN6_RX			
P14.3	PWM_51	PWM_50_N	TC_51_TR0	TC_50_TR1		SCB2_CTS		SCB2_SEL0	LIN6_TX			
P14.4	PWM_52	PWM_51_N	TC_52_TR0	TC_51_TR1				SCB2_SEL1	LIN6_EN			
P14.5	PWM_53	PWM_52_N	TC_53_TR0	TC_52_TR1				SCB2_SEL2				
P14.6	PWM_54	PWM_53_N	TC_54_TR0	TC_53_TR1							TRIG_IN[24]	
P14.7	PWM_55	PWM_54_N	TC_55_TR0	TC_54_TR1							TRIG_IN[25]	
P15.0	PWM_56	PWM_55_N	TC_56_TR0	TC_55_TR1								
P15.1	PWM_57	PWM_56_N	TC_57_TR0	TC_56_TR1								
P15.2	PWM_58	PWM_57_N	TC_58_TR0	TC_57_TR1								
P15.3	PWM_59	PWM_58_N	TC_59_TR0	TC_58_TR1								
P16.0	PWM_60	PWM_59_N	TC_60_TR0	TC_59_TR1	PWM_H_0							
P16.1	PWM_61	PWM_60_N	TC_61_TR0	TC_60_TR1	PWM_H_0_N							
P16.2	PWM_62	PWM_61_N	TC_62_TR0	TC_61_TR1	PWM_H_1							
P16.3	PWM_62	PWM_62_N	TC_62_TR0	TC_62_TR1	PWM_H_1_N							
P17.0	PWM_61	PWM_62_N	TC_61_TR0	TC_62_TR1						CAN1_1_TX		
P17.1	PWM_60	PWM_61_N	TC_60_TR0	TC_61_TR1	PWM_H_2	SCB3_RX		SCB3_MISO		CAN1_1_RX		
P17.2	PWM_59	PWM_60_N	TC_59_TR0	TC_60_TR1	PWM_H_2_N	SCB3_TX	SCB3_SDA	SCB3_MOSI				
P17.3	PWM_58	PWM_59_N	TC_58_TR0	TC_59_TR1	PWM_H_3	SCB3_RTS	SCB3_SCL	SCB3_CLK			TRIG_IN[26]	
P17.4	PWM_57	PWM_58_N	TC_57_TR0	TC_58_TR1	PWM_H_3_N	SCB3_CTS		SCB3_SEL0			TRIG_IN[27]	
P17.5	PWM_56	PWM_57_N	TC_56_TR0	TC_57_TR1				SCB3_SEL1				
P17.6	PWM_M_4	PWM_56_N	TC_M_4_TR0	TC_56_TR1				SCB3_SEL2				
P17.7	PWM_M_5	PWM_M_4_N	TC_M_5_TR0	TC_M_4_TR1								

Table 13-1. Alternate Pin Functions in Active Mode (continued)

Name	Active Mapping											
	HCon#8 ^[24]	HCon#9	HCon#10	HCon#11	HCon#16	HCon#17	HCon#18	HCon#19	HCon#20	HCon#21	HCon#26	HCon#27
	ACT #0 ^[25]	ACT #1	ACT #2	ACT #3	ACT #4	ACT #5	ACT #6	ACT #7	ACT #8	ACT #9	ACT #10	ACT #11
P18.0	PWM_M_6	PWM_M_5_N	TC_M_6_TR0	TC_M_5_TR1	PWM_H_0	SCB1_RX		SCB1_MISO				FAULT_OUT_0
P18.1	PWM_M_7	PWM_M_6_N	TC_M_7_TR0	TC_M_6_TR1	PWM_H_0_N	SCB1_TX	SCB1_SDA	SCB1_MOSI				FAULT_OUT_1
P18.2	PWM_55	PWM_M_7_N	TC_55_TR0	TC_M_7_TR1	PWM_H_1	SCB1_RTS	SCB1_SCL	SCB1_CLK				
P18.3	PWM_54	PWM_55_N	TC_54_TR0	TC_55_TR1	PWM_H_1_N	SCB1_CTS		SCB1_SEL0				TRACE_CLOCK
P18.4	PWM_53	PWM_54_N	TC_53_TR0	TC_54_TR1	PWM_H_2			SCB1_SEL1				TRACE_DATA_0
P18.5	PWM_52	PWM_53_N	TC_52_TR0	TC_53_TR1	PWM_H_2_N			SCB1_SEL2				TRACE_DATA_1
P18.6	PWM_51	PWM_52_N	TC_51_TR0	TC_52_TR1	PWM_H_3			SCB1_SEL3		CAN1_2_TX		TRACE_DATA_2
P18.7	PWM_50	PWM_51_N	TC_50_TR0	TC_51_TR1	PWM_H_3_N					CAN1_2_RX		TRACE_DATA_3
P19.0	PWM_M_3	PWM_50_N	TC_M_3_TR0	TC_50_TR1	TC_H_0_TR0	SCB2_RX		SCB2_MISO				FAULT_OUT_2
P19.1	PWM_26	PWM_M_3_N	TC_26_TR0	TC_M_3_TR1	TC_H_0_TR1	SCB2_TX	SCB2_SDA	SCB2_MOSI				FAULT_OUT_3
P19.2	PWM_27	PWM_26_N	TC_27_TR0	TC_26_TR1	TC_H_1_TR0	SCB2_RTS	SCB2_SCL	SCB2_CLK			TRIG_IN[28]	
P19.3	PWM_28	PWM_27_N	TC_28_TR0	TC_27_TR1	TC_H_1_TR1	SCB2_CTS		SCB2_SEL0			TRIG_IN[29]	
P19.4	PWM_29	PWM_28_N	TC_29_TR0	TC_28_TR1	TC_H_2_TR0			SCB2_SEL1				
P20.0	PWM_30	PWM_29_N	TC_30_TR0	TC_29_TR1	TC_H_2_TR1			SCB2_SEL2	LIN5_RX			
P20.1	PWM_49	PWM_30_N	TC_49_TR0	TC_30_TR1	TC_H_3_TR0				LIN5_TX			
P20.2	PWM_48	PWM_49_N	TC_48_TR0	TC_49_TR1	TC_H_3_TR1				LIN5_EN			
P20.3	PWM_47	PWM_48_N	TC_47_TR0	TC_48_TR1		SCB1_RX		SCB1_MISO		CAN1_2_TX		
P20.4	PWM_46	PWM_47_N	TC_46_TR0	TC_47_TR1		SCB1_TX	SCB1_SDA	SCB1_MOSI		CAN1_2_RX		
P20.5	PWM_45	PWM_46_N	TC_45_TR0	TC_46_TR1		SCB1_RTS	SCB1_SCL	SCB1_CLK				
P20.6	PWM_44	PWM_45_N	TC_44_TR0	TC_45_TR1		SCB1_CTS		SCB1_SEL0				
P20.7	PWM_43	PWM_44_N	TC_43_TR0	TC_44_TR1				SCB1_SEL1				
P21.0	PWM_42	PWM_43_N	TC_42_TR0	TC_43_TR1				SCB1_SEL2				
P21.1	PWM_41	PWM_42_N	TC_41_TR0	TC_42_TR1								
P21.2	PWM_40	PWM_41_N	TC_40_TR0	TC_41_TR1							EXT_CLK	TRIG_DBG[1]
P21.3	PWM_39	PWM_40_N	TC_39_TR0	TC_40_TR1								
P21.4	PWM_38	PWM_39_N	TC_38_TR0	TC_39_TR1								
P21.5	PWM_37	PWM_38_N	TC_37_TR0	TC_38_TR1					LIN0_RX			
P21.6	PWM_36	PWM_37_N	TC_36_TR0	TC_37_TR1					LIN0_TX			

Table 13-1. Alternate Pin Functions in Active Mode (continued)

Name	Active Mapping											
	HCon#8 ^[24]	HCon#9	HCon#10	HCon#11	HCon#16	HCon#17	HCon#18	HCon#19	HCon#20	HCon#21	HCon#26	HCon#27
	ACT #0 ^[25]	ACT #1	ACT #2	ACT #3	ACT #4	ACT #5	ACT #6	ACT #7	ACT #8	ACT #9	ACT #10	ACT #11
P21.7	PWM_35	PWM_36_N	TC_35_TR0	TC_36_TR1					LIN0_EN			CAL_SUP_NZ
P22.0	PWM_34	PWM_35_N	TC_34_TR0	TC_35_TR1		SCB6_RX		SCB6_MISO		CAN1_1_TX		TRACE_DATA_0
P22.1	PWM_33	PWM_34_N	TC_33_TR0	TC_34_TR1		SCB6_TX	SCB6_SDA	SCB6_MOSI		CAN1_1_RX		TRACE_DATA_1
P22.2	PWM_32	PWM_33_N	TC_32_TR0	TC_33_TR1		SCB6_RTS	SCB6_SCL	SCB6_CLK				TRACE_DATA_2
P22.3	PWM_31	PWM_32_N	TC_31_TR0	TC_32_TR1		SCB6_CTS		SCB6_SEL0				TRACE_DATA_3
P22.4	PWM_30	PWM_31_N	TC_30_TR0	TC_31_TR1				SCB6_SEL1				TRACE_CLOCK
P22.5	PWM_29	PWM_30_N	TC_29_TR0	TC_30_TR1				SCB6_SEL2	LIN7_RX			
P22.6	PWM_28	PWM_29_N	TC_28_TR0	TC_29_TR1					LIN7_TX			
P22.7	PWM_27	PWM_28_N	TC_27_TR0	TC_28_TR1					LIN7_EN			
P23.0	PWM_M_8	PWM_27_N	TC_M_8_TR0	TC_27_TR1		SCB7_RX		SCB7_MISO		CAN1_0_TX		FAULT_OUT_0
P23.1	PWM_M_9	PWM_M_8_N	TC_M_9_TR0	TC_M_8_TR1		SCB7_TX	SCB7_SDA	SCB7_MOSI		CAN1_0_RX		FAULT_OUT_1
P23.2	PWM_M_10	PWM_M_9_N	TC_M_10_TR0	TC_M_9_TR1		SCB7_RTS	SCB7_SCL	SCB7_CLK				FAULT_OUT_2
P23.3	PWM_M_11	PWM_M_10_N	TC_M_11_TR0	TC_M_10_TR1		SCB7_CTS		SCB7_SEL0			TRIG_IN[30]	FAULT_OUT_3
P23.4	PWM_25	PWM_M_11_N	TC_25_TR0	TC_M_11_TR1				SCB7_SEL1			TRIG_IN[31]	TRIG_DBG[0]
P23.5	PWM_24	PWM_25_N	TC_24_TR0	TC_25_TR1				SCB7_SEL2				
P23.6	PWM_23	PWM_24_N	TC_23_TR0	TC_24_TR1								
P23.7	PWM_22	PWM_23_N	TC_22_TR0	TC_23_TR1							EXT_CLK	CAL_SUP_NZ

Table 13-2. Pin Mux Descriptions

Sl. No.	Module	Pin	Description
1	TCPWM	PWMx_y	TCPWM 16-bit PWM (no motor control), PWM_DT and PWM_PR line out, x-TCPWM block, y-counter number
2	TCPWM	PWMx_y_N	TCPWM 16-bit PWM (no motor control), PWM_DT and PWM_PR complementary line out (N), x-TCPWM block, y-counter number
3	TCPWM	PWMx_M_y	TCPWM 16-bit PWM with motor control line out, x-TCPWM block, y-counter number
4	TCPWM	PWMx_M_y_N	TCPWM 16-bit PWM with motor control complementary line out (N), x-TCPWM block, y-counter number
5	TCPWM	PWMx_H_y	TCPWM 32-bit PWM, PWM_DT and PWM_PR line out, x-TCPWM block, y-counter number
6	TCPWM	PWMx_H_y_N	TCPWM 32-bit PWM, PWM_DT and PWM_PR complementary line out (N), x-TCPWM block, y-counter number
7	TCPWM	TCx_y_TRz	TCPWM 16-bit dedicated counter input triggers, x-TCPWM block, y-counter number, z-trigger number
8	TCPWM	TCx_M_y_TRz	TCPWM 16-bit dedicated counter input triggers with motor control, x-TCPWM block, y-counter number, z-trigger number
9	TCPWM	TCx_H_y_TRz	TCPWM 32-bit dedicated counter input triggers, x-TCPWM block, y-counter number, z-trigger number
10	SCB	SCBx_RX	UART Receive, x-SCB block
11	SCB	SCBx_TX	UART Transmit, x-SCB block
12	SCB	SCBx_RTS	UART Request to Send (Handshake), x-SCB block
13	SCB	SCBx_CTS	UART Clear to Send (Handshake), x-SCB block
14	SCB	SCBx_SDA	I2C Data line, x-SCB block
15	SCB	SCBx_SCL	I2C Clock line, x-SCB block
16	SCB	SCBx_MISO	SPI Master Input Slave Output, x-SCB block
17	SCB	SCBx_MOSI	SPI Master Output Slave Input, x-SCB block
18	SCB	SCBx_CLK	SPI Serial Clock, x-SCB block
19	SCB	SCBx_SELy	SPI Slave Select, x-SCB block, y-select line
20	LIN	LINx_RX	LIN Receive line, x-LIN block
21	LIN	LINx_TX	LIN Transmit line, x-LIN block
22	LIN	LINx_EN	LIN Enable line, x-LIN block
23	CANFD	CANx_y_TX	CAN Transmit line, x-CAN block, y-channel number
24	CANFD	CANx_y_RX	CAN Receive line, x-CAN block, y-channel number
25	CPUSS	CAL_SUP_NZ	ETAS Calibration support line
26	SRSS	FAULT_OUT_x	Fault output line x-0 to 3
27	SRSS	TRACE_DATA_x	Trace dataout line x-0 to 3
28	SRSS	TRACE_CLOCK	Trace clock line
29	SRSS RTC	RTC_CAL	RTC calibration clock input
30	SRSS	SWJ_TRSTN	JTAG Test reset line (Active low)
31	SRSS	SWJ_SWO_TDO	JTAG Test data output/SWO (Serial Wire Output)
32	SRSS	SWJ_SWCLK_TCLK	JTAG Test clock/SWD clock (Serial Wire Clock)
33	SRSS	SWJ_SWDIO_TMS	JTAG Test mode select/SWD data (Serial Wire Data Input/Output)
34	SRSS	SWJ_SWDOE_TDI	JTAG Test data input

Table 13-2. Pin Mux Descriptions *(continued)*

Sl. No.	Module	Pin	Description
35	SRSS	HIBERNATE_WAKEUP[x]	Hibernate wakeup line x-0 to 1
36	PASS SAR	ADC[x]_y	SAR, channel, x-SAR number, y-channel number
37	PASS SAR	ADC[x]_M	SAR motor control input, x-SAR number
38	PASS SAR	EXT_MUX[x]_y	External SAR MUX inputs, x-MUX number, y-MUX input 0 to 2
39	PASS SAR	EXT_MUX[x]_EN	External SAR MUX enable line

14. Interrupts and Wake-up Assignments

Table 14-1. Peripheral Interrupt Assignments and Wake-up Sources

Interrupt	Source	Power Mode	Description
0	cpuss_interrupts_ipc_0_IRQn	DeepSleep	CPUSS Inter Process Communication Interrupt #0
1	cpuss_interrupts_ipc_1_IRQn	DeepSleep	CPUSS Inter Process Communication Interrupt #1
2	cpuss_interrupts_ipc_2_IRQn	DeepSleep	CPUSS Inter Process Communication Interrupt #2
3	cpuss_interrupts_ipc_3_IRQn	DeepSleep	CPUSS Inter Process Communication Interrupt #3
4	cpuss_interrupts_ipc_4_IRQn	DeepSleep	CPUSS Inter Process Communication Interrupt #4
5	cpuss_interrupts_ipc_5_IRQn	DeepSleep	CPUSS Inter Process Communication Interrupt #5
6	cpuss_interrupts_ipc_6_IRQn	DeepSleep	CPUSS Inter Process Communication Interrupt #6
7	cpuss_interrupts_ipc_7_IRQn	DeepSleep	CPUSS Inter Process Communication Interrupt #7
8	cpuss_interrupts_fault_0_IRQn	DeepSleep	CPUSS Fault Structure #0 Interrupt
9	cpuss_interrupts_fault_1_IRQn	DeepSleep	CPUSS Fault Structure #1 Interrupt
10	cpuss_interrupts_fault_2_IRQn	DeepSleep	CPUSS Fault Structure #2 Interrupt
11	cpuss_interrupts_fault_3_IRQn	DeepSleep	CPUSS Fault Structure #3 Interrupt
12	srss_interrupt_backup_IRQn	DeepSleep	BACKUP domain Interrupt
13	srss_interrupt_mcwtdt_0_IRQn	DeepSleep	Multi Counter Watchdog Timer #0 interrupt
14	srss_interrupt_mcwtdt_1_IRQn	DeepSleep	Multi Counter Watchdog Timer #1 interrupt
15	srss_interrupt_wdt_IRQn	DeepSleep	Hardware Watchdog Timer interrupt
16	srss_interrupt_IRQn	DeepSleep	Other combined Interrupts for SRSS (LVD, CLKCAL)
17	scb_0_interrupt_IRQn	DeepSleep	SCB0 interrupt (DeepSleep capable)
18	evtgen_0_interrupt_dpssp_IRQn	DeepSleep	Event gen DeepSleep domain interrupt
19	ioss_interrupt_vdd_IRQn	DeepSleep	I/O Supply (V _{DDIO} , V _{DDA} , V _{DDD}) state change Interrupt
20	ioss_interrupt_gpio_IRQn	DeepSleep	Consolidated Interrupt for GPIO_STD and GPIO_ENH, All Ports
21	ioss_interrupts_gpio_0_IRQn	DeepSleep	GPIO_ENH Port #0 Interrupt
22	ioss_interrupts_gpio_1_IRQn	DeepSleep	GPIO_STD Port #1 Interrupt
23	ioss_interrupts_gpio_2_IRQn	DeepSleep	GPIO_STD Port #2 Interrupt
24	ioss_interrupts_gpio_3_IRQn	DeepSleep	GPIO_STD Port #3 Interrupt
25	ioss_interrupts_gpio_4_IRQn	DeepSleep	GPIO_STD Port #4 Interrupt
26	ioss_interrupts_gpio_5_IRQn	DeepSleep	GPIO_STD Port #5 Interrupt
27	ioss_interrupts_gpio_6_IRQn	DeepSleep	GPIO_STD Port #6 Interrupt
28	ioss_interrupts_gpio_7_IRQn	DeepSleep	GPIO_STD Port #7 Interrupt
29	ioss_interrupts_gpio_8_IRQn	DeepSleep	GPIO_STD Port #8 Interrupt
30	ioss_interrupts_gpio_9_IRQn	DeepSleep	GPIO_STD Port #9 Interrupt
31	ioss_interrupts_gpio_10_IRQn	DeepSleep	GPIO_STD Port #10 Interrupt
32	ioss_interrupts_gpio_11_IRQn	DeepSleep	GPIO_STD Port #11 Interrupt
33	ioss_interrupts_gpio_12_IRQn	DeepSleep	GPIO_STD Port #12 Interrupt
34	ioss_interrupts_gpio_13_IRQn	DeepSleep	GPIO_STD Port #13 Interrupt
35	ioss_interrupts_gpio_14_IRQn	DeepSleep	GPIO_STD Port #14 Interrupt
36	ioss_interrupts_gpio_15_IRQn	DeepSleep	GPIO_STD Port #15 Interrupt
37	ioss_interrupts_gpio_16_IRQn	DeepSleep	GPIO_STD Port #16 Interrupt
38	ioss_interrupts_gpio_17_IRQn	DeepSleep	GPIO_STD Port #17 Interrupt
39	ioss_interrupts_gpio_18_IRQn	DeepSleep	GPIO_STD Port #18 Interrupt

Table 14-1. Peripheral Interrupt Assignments and Wake-up Sources *(continued)*

Interrupt	Source	Power Mode	Description
40	ioss_interrupts_gpio_19_IRQn	DeepSleep	GPIO_STD Port #19 Interrupt
41	ioss_interrupts_gpio_20_IRQn	DeepSleep	GPIO_STD Port #20 Interrupt
42	ioss_interrupts_gpio_21_IRQn	DeepSleep	GPIO_STD Port #21 Interrupt
43	ioss_interrupts_gpio_22_IRQn	DeepSleep	GPIO_STD Port #22 Interrupt
44	ioss_interrupts_gpio_23_IRQn	DeepSleep	GPIO_STD Port #23 Interrupt
45	cpuss_interrupt_crypto_IRQn	Active	Crypto Accelerator Interrupt
46	cpuss_interrupt_fm_IRQn	Active	FLASH Macro Interrupt
47	cpuss_interrupts_cm4_fp_IRQn	Active	CM4 Floating Point operation fault
48	cpuss_interrupts_cm0_cti_0_IRQn	Active	CM0+ CTI (Cross Trigger Interface) #0
49	cpuss_interrupts_cm0_cti_1_IRQn	Active	CM0+ CTI #1
50	cpuss_interrupts_cm4_cti_0_IRQn	Active	CM4 CTI #0
51	cpuss_interrupts_cm4_cti_1_IRQn	Active	CM4 CTI #1
52	evtgen_0_interrupt_IRQn	Active	Event gen Active domain interrupt
53	canfd_0_interrupt0_IRQn	Active	CAN0, Consolidated Interrupt #0 for all three channels
54	canfd_0_interrupt1_IRQn	Active	CAN0, Consolidated Interrupt #1 for all three channels
55	canfd_1_interrupt0_IRQn	Active	CAN1, Consolidated Interrupt #0 for all three channels
56	canfd_1_interrupt1_IRQn	Active	CAN1, Consolidated Interrupt #1 for all three channels
57	canfd_0_interrupts0_0_IRQn	Active	CAN0, Interrupt #0, Channel #0
58	canfd_0_interrupts0_1_IRQn	Active	CAN0, Interrupt #0, Channel #1
59	canfd_0_interrupts0_2_IRQn	Active	CAN0, Interrupt #0, Channel #2
60	canfd_0_interrupts1_0_IRQn	Active	CAN0, Interrupt #1, Channel #0
61	canfd_0_interrupts1_1_IRQn	Active	CAN0, Interrupt #1, Channel #1
62	canfd_0_interrupts1_2_IRQn	Active	CAN0, Interrupt #1, Channel #2
63	canfd_1_interrupts0_0_IRQn	Active	CAN1, Interrupt #0, Channel #0
64	canfd_1_interrupts0_1_IRQn	Active	CAN1, Interrupt #0, Channel #1
65	canfd_1_interrupts0_2_IRQn	Active	CAN1, Interrupt #0, Channel #2
66	canfd_1_interrupts1_0_IRQn	Active	CAN1, Interrupt #1, Channel #0
67	canfd_1_interrupts1_1_IRQn	Active	CAN1, Interrupt #1, Channel #1
68	canfd_1_interrupts1_2_IRQn	Active	CAN1, Interrupt #1, Channel #2
69	lin_0_interrupts_0_IRQn	Active	LIN0, Channel #0 Interrupt
70	lin_0_interrupts_1_IRQn	Active	LIN0, Channel #1 Interrupt
71	lin_0_interrupts_2_IRQn	Active	LIN0, Channel #2 Interrupt
72	lin_0_interrupts_3_IRQn	Active	LIN0, Channel #3 Interrupt
73	lin_0_interrupts_4_IRQn	Active	LIN0, Channel #4 Interrupt
74	lin_0_interrupts_5_IRQn	Active	LIN0, Channel #5 Interrupt
75	lin_0_interrupts_6_IRQn	Active	LIN0, Channel #6 Interrupt
76	lin_0_interrupts_7_IRQn	Active	LIN0, Channel #7 Interrupt
77	scb_1_interrupt_IRQn	Active	SCB1 Interrupt
78	scb_2_interrupt_IRQn	Active	SCB2 Interrupt
79	scb_3_interrupt_IRQn	Active	SCB3 Interrupt
80	scb_4_interrupt_IRQn	Active	SCB4 Interrupt

Table 14-1. Peripheral Interrupt Assignments and Wake-up Sources (continued)

Interrupt	Source	Power Mode	Description
81	scb_5_interrupt_IRQn	Active	SCB5 Interrupt
82	scb_6_interrupt_IRQn	Active	SCB6 Interrupt
83	scb_7_interrupt_IRQn	Active	SCB7 Interrupt
84	pass_0_interrupts_sar_0_IRQn	Active	SAR0, Logical Channel #0 Interrupt
85	pass_0_interrupts_sar_1_IRQn	Active	SAR0, Logical Channel #1 Interrupt
86	pass_0_interrupts_sar_2_IRQn	Active	SAR0, Logical Channel #2 Interrupt
87	pass_0_interrupts_sar_3_IRQn	Active	SAR0, Logical Channel #3 Interrupt
88	pass_0_interrupts_sar_4_IRQn	Active	SAR0, Logical Channel #4 Interrupt
89	pass_0_interrupts_sar_5_IRQn	Active	SAR0, Logical Channel #5 Interrupt
90	pass_0_interrupts_sar_6_IRQn	Active	SAR0, Logical Channel #6 Interrupt
91	pass_0_interrupts_sar_7_IRQn	Active	SAR0, Logical Channel #7 Interrupt
92	pass_0_interrupts_sar_8_IRQn	Active	SAR0, Logical Channel #8 Interrupt
93	pass_0_interrupts_sar_9_IRQn	Active	SAR0, Logical Channel #9 Interrupt
94	pass_0_interrupts_sar_10_IRQn	Active	SAR0, Logical Channel #10 Interrupt
95	pass_0_interrupts_sar_11_IRQn	Active	SAR0, Logical Channel #11 Interrupt
96	pass_0_interrupts_sar_12_IRQn	Active	SAR0, Logical Channel #12 Interrupt
97	pass_0_interrupts_sar_13_IRQn	Active	SAR0, Logical Channel #13 Interrupt
98	pass_0_interrupts_sar_14_IRQn	Active	SAR0, Logical Channel #14 Interrupt
99	pass_0_interrupts_sar_15_IRQn	Active	SAR0, Logical Channel #15 Interrupt
100	pass_0_interrupts_sar_16_IRQn	Active	SAR0, Logical Channel #16 Interrupt
101	pass_0_interrupts_sar_17_IRQn	Active	SAR0, Logical Channel #17 Interrupt
102	pass_0_interrupts_sar_18_IRQn	Active	SAR0, Logical Channel #18 Interrupt
103	pass_0_interrupts_sar_19_IRQn	Active	SAR0, Logical Channel #19 Interrupt
104	pass_0_interrupts_sar_20_IRQn	Active	SAR0, Logical Channel #20 Interrupt
105	pass_0_interrupts_sar_21_IRQn	Active	SAR0, Logical Channel #21 Interrupt
106	pass_0_interrupts_sar_22_IRQn	Active	SAR0, Logical Channel #22 Interrupt
107	pass_0_interrupts_sar_23_IRQn	Active	SAR0, Logical Channel #23 Interrupt
108	pass_0_interrupts_sar_32_IRQn	Active	SAR1, Logical Channel #0 Interrupt
109	pass_0_interrupts_sar_33_IRQn	Active	SAR1, Logical Channel #1 Interrupt
110	pass_0_interrupts_sar_34_IRQn	Active	SAR1, Logical Channel #2 Interrupt
111	pass_0_interrupts_sar_35_IRQn	Active	SAR1, Logical Channel #3 Interrupt
112	pass_0_interrupts_sar_36_IRQn	Active	SAR1, Logical Channel #4 Interrupt
113	pass_0_interrupts_sar_37_IRQn	Active	SAR1, Logical Channel #5 Interrupt
114	pass_0_interrupts_sar_38_IRQn	Active	SAR1, Logical Channel #6 Interrupt
115	pass_0_interrupts_sar_39_IRQn	Active	SAR1, Logical Channel #7 Interrupt
116	pass_0_interrupts_sar_40_IRQn	Active	SAR1, Logical Channel #8 Interrupt
117	pass_0_interrupts_sar_41_IRQn	Active	SAR1, Logical Channel #9 Interrupt
118	pass_0_interrupts_sar_42_IRQn	Active	SAR1, Logical Channel #10 Interrupt
119	pass_0_interrupts_sar_43_IRQn	Active	SAR1, Logical Channel #11 Interrupt
120	pass_0_interrupts_sar_44_IRQn	Active	SAR1, Logical Channel #12 Interrupt
121	pass_0_interrupts_sar_45_IRQn	Active	SAR1, Logical Channel #13 Interrupt

Table 14-1. Peripheral Interrupt Assignments and Wake-up Sources (continued)

Interrupt	Source	Power Mode	Description
122	pass_0_interrupts_sar_46_IRQn	Active	SAR1, Logical Channel #14 Interrupt
123	pass_0_interrupts_sar_47_IRQn	Active	SAR1, Logical Channel #15 Interrupt
124	pass_0_interrupts_sar_48_IRQn	Active	SAR1, Logical Channel #16 Interrupt
125	pass_0_interrupts_sar_49_IRQn	Active	SAR1, Logical Channel #17 Interrupt
126	pass_0_interrupts_sar_50_IRQn	Active	SAR1, Logical Channel #18 Interrupt
127	pass_0_interrupts_sar_51_IRQn	Active	SAR1, Logical Channel #19 Interrupt
128	pass_0_interrupts_sar_52_IRQn	Active	SAR1, Logical Channel #20 Interrupt
129	pass_0_interrupts_sar_53_IRQn	Active	SAR1, Logical Channel #21 Interrupt
130	pass_0_interrupts_sar_54_IRQn	Active	SAR1, Logical Channel #22 Interrupt
131	pass_0_interrupts_sar_55_IRQn	Active	SAR1, Logical Channel #23 Interrupt
132	pass_0_interrupts_sar_56_IRQn	Active	SAR1, Logical Channel #24 Interrupt
133	pass_0_interrupts_sar_57_IRQn	Active	SAR1, Logical Channel #25 Interrupt
134	pass_0_interrupts_sar_58_IRQn	Active	SAR1, Logical Channel #26 Interrupt
135	pass_0_interrupts_sar_59_IRQn	Active	SAR1, Logical Channel #27 Interrupt
136	pass_0_interrupts_sar_60_IRQn	Active	SAR1, Logical Channel #28 Interrupt
137	pass_0_interrupts_sar_61_IRQn	Active	SAR1, Logical Channel #29 Interrupt
138	pass_0_interrupts_sar_62_IRQn	Active	SAR1, Logical Channel #30 Interrupt
139	pass_0_interrupts_sar_63_IRQn	Active	SAR1, Logical Channel #31 Interrupt
140	pass_0_interrupts_sar_64_IRQn	Active	SAR2, Logical Channel #0 Interrupt
141	pass_0_interrupts_sar_65_IRQn	Active	SAR2, Logical Channel #1 Interrupt
142	pass_0_interrupts_sar_66_IRQn	Active	SAR2, Logical Channel #2 Interrupt
143	pass_0_interrupts_sar_67_IRQn	Active	SAR2, Logical Channel #3 Interrupt
144	pass_0_interrupts_sar_68_IRQn	Active	SAR2, Logical Channel #4 Interrupt
145	pass_0_interrupts_sar_69_IRQn	Active	SAR2, Logical Channel #5 Interrupt
146	pass_0_interrupts_sar_70_IRQn	Active	SAR2, Logical Channel #6 Interrupt
147	pass_0_interrupts_sar_71_IRQn	Active	SAR2, Logical Channel #7 Interrupt
148	cpuss_interrupts_dmac_0_IRQn	Active	CPUSS M-DMA0, Channel #0 Interrupt
149	cpuss_interrupts_dmac_1_IRQn	Active	CPUSS M-DMA0, Channel #1 Interrupt
150	cpuss_interrupts_dmac_2_IRQn	Active	CPUSS M-DMA0, Channel #2 Interrupt
151	cpuss_interrupts_dmac_3_IRQn	Active	CPUSS M-DMA0, Channel #3 Interrupt
152	cpuss_interrupts_dw0_0_IRQn	Active	CPUSS P-DMA0, Channel #0 Interrupt
153	cpuss_interrupts_dw0_1_IRQn	Active	CPUSS P-DMA0, Channel #1 Interrupt
154	cpuss_interrupts_dw0_2_IRQn	Active	CPUSS P-DMA0, Channel #2 Interrupt
155	cpuss_interrupts_dw0_3_IRQn	Active	CPUSS P-DMA0, Channel #3 Interrupt
156	cpuss_interrupts_dw0_4_IRQn	Active	CPUSS P-DMA0, Channel #4 Interrupt
157	cpuss_interrupts_dw0_5_IRQn	Active	CPUSS P-DMA0, Channel #5 Interrupt
158	cpuss_interrupts_dw0_6_IRQn	Active	CPUSS P-DMA0, Channel #6 Interrupt
159	cpuss_interrupts_dw0_7_IRQn	Active	CPUSS P-DMA0, Channel #7 Interrupt
160	cpuss_interrupts_dw0_8_IRQn	Active	CPUSS P-DMA0, Channel #8 Interrupt
161	cpuss_interrupts_dw0_9_IRQn	Active	CPUSS P-DMA0, Channel #9 Interrupt
162	cpuss_interrupts_dw0_10_IRQn	Active	CPUSS P-DMA0, Channel #10 Interrupt

Table 14-1. Peripheral Interrupt Assignments and Wake-up Sources (continued)

Interrupt	Source	Power Mode	Description
163	cpuss_interrupts_dw0_11_IRQn	Active	CPUSS P-DMA0, Channel #11 Interrupt
164	cpuss_interrupts_dw0_12_IRQn	Active	CPUSS P-DMA0, Channel #12 Interrupt
165	cpuss_interrupts_dw0_13_IRQn	Active	CPUSS P-DMA0, Channel #13 Interrupt
166	cpuss_interrupts_dw0_14_IRQn	Active	CPUSS P-DMA0, Channel #14 Interrupt
167	cpuss_interrupts_dw0_15_IRQn	Active	CPUSS P-DMA0, Channel #15 Interrupt
168	cpuss_interrupts_dw0_16_IRQn	Active	CPUSS P-DMA0, Channel #16 Interrupt
169	cpuss_interrupts_dw0_17_IRQn	Active	CPUSS P-DMA0, Channel #17 Interrupt
170	cpuss_interrupts_dw0_18_IRQn	Active	CPUSS P-DMA0, Channel #18 Interrupt
171	cpuss_interrupts_dw0_19_IRQn	Active	CPUSS P-DMA0, Channel #19 Interrupt
172	cpuss_interrupts_dw0_20_IRQn	Active	CPUSS P-DMA0, Channel #20 Interrupt
173	cpuss_interrupts_dw0_21_IRQn	Active	CPUSS P-DMA0, Channel #21 Interrupt
174	cpuss_interrupts_dw0_22_IRQn	Active	CPUSS P-DMA0, Channel #22 Interrupt
175	cpuss_interrupts_dw0_23_IRQn	Active	CPUSS P-DMA0, Channel #23 Interrupt
176	cpuss_interrupts_dw0_24_IRQn	Active	CPUSS P-DMA0, Channel #24 Interrupt
177	cpuss_interrupts_dw0_25_IRQn	Active	CPUSS P-DMA0, Channel #25 Interrupt
178	cpuss_interrupts_dw0_26_IRQn	Active	CPUSS P-DMA0, Channel #26 Interrupt
179	cpuss_interrupts_dw0_27_IRQn	Active	CPUSS P-DMA0, Channel #27 Interrupt
180	cpuss_interrupts_dw0_28_IRQn	Active	CPUSS P-DMA0, Channel #28 Interrupt
181	cpuss_interrupts_dw0_29_IRQn	Active	CPUSS P-DMA0, Channel #29 Interrupt
182	cpuss_interrupts_dw0_30_IRQn	Active	CPUSS P-DMA0, Channel #30 Interrupt
183	cpuss_interrupts_dw0_31_IRQn	Active	CPUSS P-DMA0, Channel #31 Interrupt
184	cpuss_interrupts_dw0_32_IRQn	Active	CPUSS P-DMA0, Channel #32 Interrupt
185	cpuss_interrupts_dw0_33_IRQn	Active	CPUSS P-DMA0, Channel #33 Interrupt
186	cpuss_interrupts_dw0_34_IRQn	Active	CPUSS P-DMA0, Channel #34 Interrupt
187	cpuss_interrupts_dw0_35_IRQn	Active	CPUSS P-DMA0, Channel #35 Interrupt
188	cpuss_interrupts_dw0_36_IRQn	Active	CPUSS P-DMA0, Channel #36 Interrupt
189	cpuss_interrupts_dw0_37_IRQn	Active	CPUSS P-DMA0, Channel #37 Interrupt
190	cpuss_interrupts_dw0_38_IRQn	Active	CPUSS P-DMA0, Channel #38 Interrupt
191	cpuss_interrupts_dw0_39_IRQn	Active	CPUSS P-DMA0, Channel #39 Interrupt
192	cpuss_interrupts_dw0_40_IRQn	Active	CPUSS P-DMA0, Channel #40 Interrupt
193	cpuss_interrupts_dw0_41_IRQn	Active	CPUSS P-DMA0, Channel #41 Interrupt
194	cpuss_interrupts_dw0_42_IRQn	Active	CPUSS P-DMA0, Channel #42 Interrupt
195	cpuss_interrupts_dw0_43_IRQn	Active	CPUSS P-DMA0, Channel #43 Interrupt
196	cpuss_interrupts_dw0_44_IRQn	Active	CPUSS P-DMA0, Channel #44 Interrupt
197	cpuss_interrupts_dw0_45_IRQn	Active	CPUSS P-DMA0, Channel #45 Interrupt
198	cpuss_interrupts_dw0_46_IRQn	Active	CPUSS P-DMA0, Channel #46 Interrupt
199	cpuss_interrupts_dw0_47_IRQn	Active	CPUSS P-DMA0, Channel #47 Interrupt
200	cpuss_interrupts_dw0_48_IRQn	Active	CPUSS P-DMA0, Channel #48 Interrupt
201	cpuss_interrupts_dw0_49_IRQn	Active	CPUSS P-DMA0, Channel #49 Interrupt
202	cpuss_interrupts_dw0_50_IRQn	Active	CPUSS P-DMA0, Channel #50 Interrupt
203	cpuss_interrupts_dw0_51_IRQn	Active	CPUSS P-DMA0, Channel #51 Interrupt

Table 14-1. Peripheral Interrupt Assignments and Wake-up Sources (continued)

Interrupt	Source	Power Mode	Description
204	cpuss_interrupts_dw0_52_IRQn	Active	CPUSS P-DMA0, Channel #52 Interrupt
205	cpuss_interrupts_dw0_53_IRQn	Active	CPUSS P-DMA0, Channel #53 Interrupt
206	cpuss_interrupts_dw0_54_IRQn	Active	CPUSS P-DMA0, Channel #54 Interrupt
207	cpuss_interrupts_dw0_55_IRQn	Active	CPUSS P-DMA0, Channel #55 Interrupt
208	cpuss_interrupts_dw0_56_IRQn	Active	CPUSS P-DMA0, Channel #56 Interrupt
209	cpuss_interrupts_dw0_57_IRQn	Active	CPUSS P-DMA0, Channel #57 Interrupt
210	cpuss_interrupts_dw0_58_IRQn	Active	CPUSS P-DMA0, Channel #58 Interrupt
211	cpuss_interrupts_dw0_59_IRQn	Active	CPUSS P-DMA0, Channel #59 Interrupt
212	cpuss_interrupts_dw0_60_IRQn	Active	CPUSS P-DMA0, Channel #60 Interrupt
213	cpuss_interrupts_dw0_61_IRQn	Active	CPUSS P-DMA0, Channel #61 Interrupt
214	cpuss_interrupts_dw0_62_IRQn	Active	CPUSS P-DMA0, Channel #62 Interrupt
215	cpuss_interrupts_dw0_63_IRQn	Active	CPUSS P-DMA0, Channel #63 Interrupt
216	cpuss_interrupts_dw0_64_IRQn	Active	CPUSS P-DMA0, Channel #64 Interrupt
217	cpuss_interrupts_dw0_65_IRQn	Active	CPUSS P-DMA0, Channel #65 Interrupt
218	cpuss_interrupts_dw0_66_IRQn	Active	CPUSS P-DMA0, Channel #66 Interrupt
219	cpuss_interrupts_dw0_67_IRQn	Active	CPUSS P-DMA0, Channel #67 Interrupt
220	cpuss_interrupts_dw0_68_IRQn	Active	CPUSS P-DMA0, Channel #68 Interrupt
221	cpuss_interrupts_dw0_69_IRQn	Active	CPUSS P-DMA0, Channel #69 Interrupt
222	cpuss_interrupts_dw0_70_IRQn	Active	CPUSS P-DMA0, Channel #70 Interrupt
223	cpuss_interrupts_dw0_71_IRQn	Active	CPUSS P-DMA0, Channel #71 Interrupt
224	cpuss_interrupts_dw0_72_IRQn	Active	CPUSS P-DMA0, Channel #72 Interrupt
225	cpuss_interrupts_dw0_73_IRQn	Active	CPUSS P-DMA0, Channel #73 Interrupt
226	cpuss_interrupts_dw0_74_IRQn	Active	CPUSS P-DMA0, Channel #74 Interrupt
227	cpuss_interrupts_dw0_75_IRQn	Active	CPUSS P-DMA0, Channel #75 Interrupt
228	cpuss_interrupts_dw0_76_IRQn	Active	CPUSS P-DMA0, Channel #76 Interrupt
229	cpuss_interrupts_dw0_77_IRQn	Active	CPUSS P-DMA0, Channel #77 Interrupt
230	cpuss_interrupts_dw0_78_IRQn	Active	CPUSS P-DMA0, Channel #78 Interrupt
231	cpuss_interrupts_dw0_79_IRQn	Active	CPUSS P-DMA0, Channel #79 Interrupt
232	cpuss_interrupts_dw0_80_IRQn	Active	CPUSS P-DMA0, Channel #80 Interrupt
233	cpuss_interrupts_dw0_81_IRQn	Active	CPUSS P-DMA0, Channel #81 Interrupt
234	cpuss_interrupts_dw0_82_IRQn	Active	CPUSS P-DMA0, Channel #82 Interrupt
235	cpuss_interrupts_dw0_83_IRQn	Active	CPUSS P-DMA0, Channel #83 Interrupt
236	cpuss_interrupts_dw0_84_IRQn	Active	CPUSS P-DMA0, Channel #84 Interrupt
237	cpuss_interrupts_dw0_85_IRQn	Active	CPUSS P-DMA0, Channel #85 Interrupt
238	cpuss_interrupts_dw0_86_IRQn	Active	CPUSS P-DMA0, Channel #86 Interrupt
239	cpuss_interrupts_dw0_87_IRQn	Active	CPUSS P-DMA0, Channel #87 Interrupt
240	cpuss_interrupts_dw0_88_IRQn	Active	CPUSS P-DMA0, Channel #88 Interrupt
241	cpuss_interrupts_dw1_0_IRQn	Active	CPUSS P-DMA1, Channel #0 Interrupt
242	cpuss_interrupts_dw1_1_IRQn	Active	CPUSS P-DMA1, Channel #1 Interrupt
243	cpuss_interrupts_dw1_2_IRQn	Active	CPUSS P-DMA1, Channel #2 Interrupt
244	cpuss_interrupts_dw1_3_IRQn	Active	CPUSS P-DMA1, Channel #3 Interrupt

Table 14-1. Peripheral Interrupt Assignments and Wake-up Sources (continued)

Interrupt	Source	Power Mode	Description
245	cpuss_interrupts_dw1_4_IRQn	Active	CPUSS P-DMA1, Channel #4 Interrupt
246	cpuss_interrupts_dw1_5_IRQn	Active	CPUSS P-DMA1, Channel #5 Interrupt
247	cpuss_interrupts_dw1_6_IRQn	Active	CPUSS P-DMA1, Channel #6 Interrupt
248	cpuss_interrupts_dw1_7_IRQn	Active	CPUSS P-DMA1, Channel #7 Interrupt
249	cpuss_interrupts_dw1_8_IRQn	Active	CPUSS P-DMA1, Channel #8 Interrupt
250	cpuss_interrupts_dw1_9_IRQn	Active	CPUSS P-DMA1, Channel #9 Interrupt
251	cpuss_interrupts_dw1_10_IRQn	Active	CPUSS P-DMA1, Channel #10 Interrupt
252	cpuss_interrupts_dw1_11_IRQn	Active	CPUSS P-DMA1, Channel #11 Interrupt
253	cpuss_interrupts_dw1_12_IRQn	Active	CPUSS P-DMA1, Channel #12 Interrupt
254	cpuss_interrupts_dw1_13_IRQn	Active	CPUSS P-DMA1, Channel #13 Interrupt
255	cpuss_interrupts_dw1_14_IRQn	Active	CPUSS P-DMA1, Channel #14 Interrupt
256	cpuss_interrupts_dw1_15_IRQn	Active	CPUSS P-DMA1, Channel #15 Interrupt
257	cpuss_interrupts_dw1_16_IRQn	Active	CPUSS P-DMA1, Channel #16 Interrupt
258	cpuss_interrupts_dw1_17_IRQn	Active	CPUSS P-DMA1, Channel #17 Interrupt
259	cpuss_interrupts_dw1_18_IRQn	Active	CPUSS P-DMA1, Channel #18 Interrupt
260	cpuss_interrupts_dw1_19_IRQn	Active	CPUSS P-DMA1, Channel #19 Interrupt
261	cpuss_interrupts_dw1_20_IRQn	Active	CPUSS P-DMA1, Channel #20 Interrupt
262	cpuss_interrupts_dw1_21_IRQn	Active	CPUSS P-DMA1, Channel #21 Interrupt
263	cpuss_interrupts_dw1_22_IRQn	Active	CPUSS P-DMA1, Channel #22 Interrupt
264	cpuss_interrupts_dw1_23_IRQn	Active	CPUSS P-DMA1, Channel #23 Interrupt
265	cpuss_interrupts_dw1_24_IRQn	Active	CPUSS P-DMA1, Channel #24 Interrupt
266	cpuss_interrupts_dw1_25_IRQn	Active	CPUSS P-DMA1, Channel #25 Interrupt
267	cpuss_interrupts_dw1_26_IRQn	Active	CPUSS P-DMA1, Channel #26 Interrupt
268	cpuss_interrupts_dw1_27_IRQn	Active	CPUSS P-DMA1, Channel #27 Interrupt
269	cpuss_interrupts_dw1_28_IRQn	Active	CPUSS P-DMA1, Channel #28 Interrupt
270	cpuss_interrupts_dw1_29_IRQn	Active	CPUSS P-DMA1, Channel #29 Interrupt
271	cpuss_interrupts_dw1_30_IRQn	Active	CPUSS P-DMA1, Channel #30 Interrupt
272	cpuss_interrupts_dw1_31_IRQn	Active	CPUSS P-DMA1, Channel #31 Interrupt
273	cpuss_interrupts_dw1_32_IRQn	Active	CPUSS P-DMA1, Channel #32 Interrupt
274	tcpwm_0_interrupts_0_IRQn	Active	TCPWM0 Group #0, Counter #0 Interrupt
275	tcpwm_0_interrupts_1_IRQn	Active	TCPWM0 Group #0, Counter #1 Interrupt
276	tcpwm_0_interrupts_2_IRQn	Active	TCPWM0 Group #0, Counter #2 Interrupt
277	tcpwm_0_interrupts_3_IRQn	Active	TCPWM0 Group #0, Counter #3 Interrupt
278	tcpwm_0_interrupts_4_IRQn	Active	TCPWM0 Group #0, Counter #4 Interrupt
279	tcpwm_0_interrupts_5_IRQn	Active	TCPWM0 Group #0, Counter #5 Interrupt
280	tcpwm_0_interrupts_6_IRQn	Active	TCPWM0 Group #0, Counter #6 Interrupt
281	tcpwm_0_interrupts_7_IRQn	Active	TCPWM0 Group #0, Counter #7 Interrupt
282	tcpwm_0_interrupts_8_IRQn	Active	TCPWM0 Group #0, Counter #8 Interrupt
283	tcpwm_0_interrupts_9_IRQn	Active	TCPWM0 Group #0, Counter #9 Interrupt
284	tcpwm_0_interrupts_10_IRQn	Active	TCPWM0 Group #0, Counter #10 Interrupt
285	tcpwm_0_interrupts_11_IRQn	Active	TCPWM0 Group #0, Counter #11 Interrupt

Table 14-1. Peripheral Interrupt Assignments and Wake-up Sources *(continued)*

Interrupt	Source	Power Mode	Description
286	tcpwm_0_interrupts_12_IRQn	Active	TCPWM0 Group #0, Counter #12 Interrupt
287	tcpwm_0_interrupts_13_IRQn	Active	TCPWM0 Group #0, Counter #13 Interrupt
288	tcpwm_0_interrupts_14_IRQn	Active	TCPWM0 Group #0, Counter #14 Interrupt
289	tcpwm_0_interrupts_15_IRQn	Active	TCPWM0 Group #0, Counter #15 Interrupt
290	tcpwm_0_interrupts_16_IRQn	Active	TCPWM0 Group #0, Counter #16 Interrupt
291	tcpwm_0_interrupts_17_IRQn	Active	TCPWM0 Group #0, Counter #17 Interrupt
292	tcpwm_0_interrupts_18_IRQn	Active	TCPWM0 Group #0, Counter #18 Interrupt
293	tcpwm_0_interrupts_19_IRQn	Active	TCPWM0 Group #0, Counter #19 Interrupt
294	tcpwm_0_interrupts_20_IRQn	Active	TCPWM0 Group #0, Counter #20 Interrupt
295	tcpwm_0_interrupts_21_IRQn	Active	TCPWM0 Group #0, Counter #21 Interrupt
296	tcpwm_0_interrupts_22_IRQn	Active	TCPWM0 Group #0, Counter #22 Interrupt
297	tcpwm_0_interrupts_23_IRQn	Active	TCPWM0 Group #0, Counter #23 Interrupt
298	tcpwm_0_interrupts_24_IRQn	Active	TCPWM0 Group #0, Counter #24 Interrupt
299	tcpwm_0_interrupts_25_IRQn	Active	TCPWM0 Group #0, Counter #25 Interrupt
300	tcpwm_0_interrupts_26_IRQn	Active	TCPWM0 Group #0, Counter #26 Interrupt
301	tcpwm_0_interrupts_27_IRQn	Active	TCPWM0 Group #0, Counter #27 Interrupt
302	tcpwm_0_interrupts_28_IRQn	Active	TCPWM0 Group #0, Counter #28 Interrupt
303	tcpwm_0_interrupts_29_IRQn	Active	TCPWM0 Group #0, Counter #29 Interrupt
304	tcpwm_0_interrupts_30_IRQn	Active	TCPWM0 Group #0, Counter #30 Interrupt
305	tcpwm_0_interrupts_31_IRQn	Active	TCPWM0 Group #0, Counter #31 Interrupt
306	tcpwm_0_interrupts_32_IRQn	Active	TCPWM0 Group #0, Counter #32 Interrupt
307	tcpwm_0_interrupts_33_IRQn	Active	TCPWM0 Group #0, Counter #33 Interrupt
308	tcpwm_0_interrupts_34_IRQn	Active	TCPWM0 Group #0, Counter #34 Interrupt
309	tcpwm_0_interrupts_35_IRQn	Active	TCPWM0 Group #0, Counter #35 Interrupt
310	tcpwm_0_interrupts_36_IRQn	Active	TCPWM0 Group #0, Counter #36 Interrupt
311	tcpwm_0_interrupts_37_IRQn	Active	TCPWM0 Group #0, Counter #37 Interrupt
312	tcpwm_0_interrupts_38_IRQn	Active	TCPWM0 Group #0, Counter #38 Interrupt
313	tcpwm_0_interrupts_39_IRQn	Active	TCPWM0 Group #0, Counter #39 Interrupt
314	tcpwm_0_interrupts_40_IRQn	Active	TCPWM0 Group #0, Counter #40 Interrupt
315	tcpwm_0_interrupts_41_IRQn	Active	TCPWM0 Group #0, Counter #41 Interrupt
316	tcpwm_0_interrupts_42_IRQn	Active	TCPWM0 Group #0, Counter #42 Interrupt
317	tcpwm_0_interrupts_43_IRQn	Active	TCPWM0 Group #0, Counter #43 Interrupt
318	tcpwm_0_interrupts_44_IRQn	Active	TCPWM0 Group #0, Counter #44 Interrupt
319	tcpwm_0_interrupts_45_IRQn	Active	TCPWM0 Group #0, Counter #45 Interrupt
320	tcpwm_0_interrupts_46_IRQn	Active	TCPWM0 Group #0, Counter #46 Interrupt
321	tcpwm_0_interrupts_47_IRQn	Active	TCPWM0 Group #0, Counter #47 Interrupt
322	tcpwm_0_interrupts_48_IRQn	Active	TCPWM0 Group #0, Counter #48 Interrupt
323	tcpwm_0_interrupts_49_IRQn	Active	TCPWM0 Group #0, Counter #49 Interrupt
324	tcpwm_0_interrupts_50_IRQn	Active	TCPWM0 Group #0, Counter #50 Interrupt
325	tcpwm_0_interrupts_51_IRQn	Active	TCPWM0 Group #0, Counter #51 Interrupt
326	tcpwm_0_interrupts_52_IRQn	Active	TCPWM0 Group #0, Counter #52 Interrupt

Table 14-1. Peripheral Interrupt Assignments and Wake-up Sources *(continued)*

Interrupt	Source	Power Mode	Description
327	tcpwm_0_interrupts_53_IRQn	Active	TCPWM0 Group #0, Counter #53 Interrupt
328	tcpwm_0_interrupts_54_IRQn	Active	TCPWM0 Group #0, Counter #54 Interrupt
329	tcpwm_0_interrupts_55_IRQn	Active	TCPWM0 Group #0, Counter #55 Interrupt
330	tcpwm_0_interrupts_56_IRQn	Active	TCPWM0 Group #0, Counter #56 Interrupt
331	tcpwm_0_interrupts_57_IRQn	Active	TCPWM0 Group #0, Counter #57 Interrupt
332	tcpwm_0_interrupts_58_IRQn	Active	TCPWM0 Group #0, Counter #58 Interrupt
333	tcpwm_0_interrupts_59_IRQn	Active	TCPWM0 Group #0, Counter #59 Interrupt
334	tcpwm_0_interrupts_60_IRQn	Active	TCPWM0 Group #0, Counter #60 Interrupt
335	tcpwm_0_interrupts_61_IRQn	Active	TCPWM0 Group #0, Counter #61 Interrupt
336	tcpwm_0_interrupts_62_IRQn	Active	TCPWM0 Group #0, Counter #62 Interrupt
337	tcpwm_0_interrupts_256_IRQn	Active	TCPWM0 Group #1, Counter #0 Interrupt
338	tcpwm_0_interrupts_257_IRQn	Active	TCPWM0 Group #1, Counter #1 Interrupt
339	tcpwm_0_interrupts_258_IRQn	Active	TCPWM0 Group #1, Counter #2 Interrupt
340	tcpwm_0_interrupts_259_IRQn	Active	TCPWM0 Group #1, Counter #3 Interrupt
341	tcpwm_0_interrupts_260_IRQn	Active	TCPWM0 Group #1, Counter #4 Interrupt
342	tcpwm_0_interrupts_261_IRQn	Active	TCPWM0 Group #1, Counter #5 Interrupt
343	tcpwm_0_interrupts_262_IRQn	Active	TCPWM0 Group #1, Counter #6 Interrupt
344	tcpwm_0_interrupts_263_IRQn	Active	TCPWM0 Group #1, Counter #7 Interrupt
345	tcpwm_0_interrupts_264_IRQn	Active	TCPWM0 Group #1, Counter #8 Interrupt
346	tcpwm_0_interrupts_265_IRQn	Active	TCPWM0 Group #1, Counter #9 Interrupt
347	tcpwm_0_interrupts_266_IRQn	Active	TCPWM0 Group #1, Counter #10 Interrupt
348	tcpwm_0_interrupts_267_IRQn	Active	TCPWM0 Group #1, Counter #11 Interrupt
349	tcpwm_0_interrupts_512_IRQn	Active	TCPWM0 Group #2, Counter #0 Interrupt
350	tcpwm_0_interrupts_513_IRQn	Active	TCPWM0 Group #2, Counter #1 Interrupt
351	tcpwm_0_interrupts_514_IRQn	Active	TCPWM0 Group #2, Counter #2 Interrupt
352	tcpwm_0_interrupts_515_IRQn	Active	TCPWM0 Group #2, Counter #3 Interrupt

15. Core Interrupt Types

Table 15-1. Core Interrupt Types

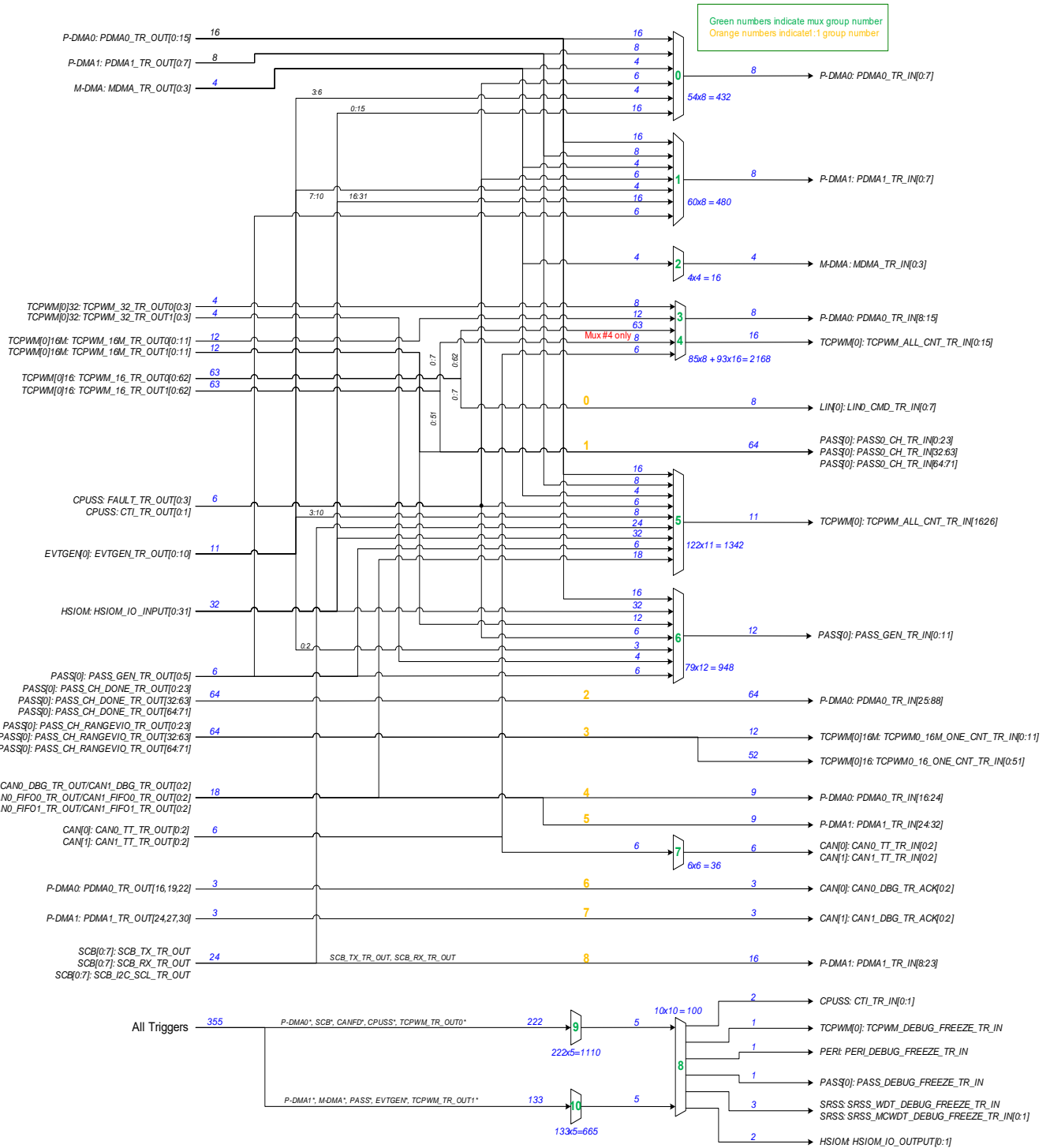
Interrupt	Source	Power Mode	Description
0	CPUIntIdx0_IRQn ^[26]	DeepSleep	CPU User Interrupt #0
1	CPUIntIdx1_IRQn ^[26]	DeepSleep	CPU User Interrupt #1
2	CPUIntIdx2_IRQn	DeepSleep	CPU User Interrupt #2
3	CPUIntIdx3_IRQn	DeepSleep	CPU User Interrupt #3
4	CPUIntIdx4_IRQn	DeepSleep	CPU User Interrupt #4
5	CPUIntIdx5_IRQn	DeepSleep	CPU User Interrupt #5
6	CPUIntIdx6_IRQn	DeepSleep	CPU User Interrupt #6
7	CPUIntIdx7_IRQn	DeepSleep	CPU User Interrupt #7
8	Internal0_IRQn	Active	Internal Software Interrupt #0
9	Internal1_IRQn	Active	Internal Software Interrupt #1
10	Internal2_IRQn	Active	Internal Software Interrupt #2
11	Internal3_IRQn	Active	Internal Software Interrupt #3
12	Internal4_IRQn	Active	Internal Software Interrupt #4
13	Internal5_IRQn	Active	Internal Software Interrupt #5
14	Internal6_IRQn	Active	Internal Software Interrupt #6
15	Internal7_IRQn	Active	Internal Software Interrupt #7

Note

²⁶. User interrupt cannot be used for CM0+ application, as it is used internally by system calls. Note, this does not impact CM4 application.

16. Trigger Multiplexer

Figure 16-1. Trigger Multiplexer^[27]



Note

27. The diagram shows only the TRIG_LABEL, final trigger formation is based on the formula TRIG_{PREFIX(IN/OUT)}_{MUX_x}_{TRIG_LABEL} / TRIG_{PREFIX(IN_1TO1/OUT_1TO1)}_{x}_{TRIG_LABEL} and the below mentioned tables Table 17-1, Table 18-1, and Table 19-1.

17. Triggers Group Inputs

Table 17-1. Trigger Inputs

Input	Trigger Label (TRIG_LABEL)	Description
MUX Group 0: PDMA0_TR (P-DMA0_0_15 trigger multiplexer)		
1:16 ^[28]	PDMA0_TR_OUT[0:15]	Allow P-DMA0 to chain to itself, useful for triggering once per row for 2D transfer
17:24	PDMA1_TR_OUT[0:7]	Cross connections from P-DMA1 to P-DMA0, Channels 0-7 are used
25:28	MDMA_TR_OUT[0:3]	Cross connections from M-DMA0 to P-DMA0
29:32	FAULT_TR_OUT[0:3]	Allow faults to initiate data transfer for debug purposes
33:34	CTI_TR_OUT[0:1]	Trace events
35:38	EVTGEN_TR_OUT[3:6]	EVTGEN triggers
39:54	HSIOM_IO_INPUT[0:15]	I/O inputs
MUX Group 1: PDMA1_TR (P-DMA1 trigger multiplexer)		
1:16	PDMA0_TR_OUT[0:15]	Allow P-DMA0 to trigger P-DMA1
17:24	PDMA1_TR_OUT[0:7]	Allow P-DMA1 to chain to itself, useful for triggering once per row for 2D transfer
25:28	MDMA_TR_OUT[0:3]	Allow M-DMA0 to trigger P-DMA0
29:32	FAULT_TR_OUT[0:3]	Allow faults to initiate data transfer for debug purposes
33:34	CTI_TR_OUT[0:1]	Trace events
35:38	EVTGEN_TR_OUT[7:10]	EVTGEN triggers
39:54	HSIOM_IO_INPUT[16:31]	I/O inputs
55:60	PASS_GEN_TR_OUT[0:5]	PASS SAR events
MUX Group 2: MDMA (M-DMA0 trigger multiplexer)		
1:4	MDMA_TR_OUT[0:3]	Allow M-DMA0 to trigger itself
MUX Group 3: TCPWM_TO_PDMA0 (TCPWM0 to P-DMA0 trigger multiplexer)		
1:4	TCPWM_32_TR_OUT0[0:3]	32-bit TCPWM0 counters
5:16	TCPWM_16M_TR_OUT0[0:11]	16-bit Motor enhanced TCPWM0 counters
17:79	TCPWM_16_TR_OUT0[0:62]	16-bit TCPWM0 counters
80:82	CAN0_TT_TR_OUT[0:2]	CAN0 TT Sync Outputs
83:85	CAN1_TT_TR_OUT[0:2]	CAN1 TT Sync Outputs
MUX Group 4: TCPWM_OUT (TCPWM0 loop back multiplexer)		
1:4	TCPWM_32_TR_OUT0[0:3]	32-bit TCPWM0 counters
5:16	TCPWM_16M_TR_OUT0[0:11]	16-bit Motor enhanced TCPWM0 counters
17:79	TCPWM_16_TR_OUT0[0:62]	16-bit TCPWM0 counters
80:87	TCPWM_16_TR_OUT1[0:7]	Allows feedback of two signals from same counters
88:90	CAN0_TT_TR_OUT[0:2]	CAN0 TT Sync Outputs
91:93	CAN1_TT_TR_OUT[0:2]	CAN1 TT Sync Outputs
MUX Group 5: TCPWM_IN (TCPWM0 Trigger Multiplexer)		
1:16	PDMA0_TR_OUT[0:15]	General purpose P-DMA0 triggers
17:24	PDMA1_TR_OUT[0:7]	General purpose P-DMA1 triggers
25:28	MDMA_TR_OUT[0:3]	M-DMA0 triggers
29:30	CTI_TR_OUT[0:1]	Trace events
31:34	FAULT_TR_OUT[0:3]	Fault events

Note

28. "a:b" depicts a range starting from 'a' through 'b'.

Table 17-1. Trigger Inputs (continued)

Input	Trigger Label (TRIG_LABEL)	Description
35:40	PASS_GEN_TR_OUT[0:5]	PASS SAR events
41:72	HSIOM_IO_INPUT[0:31]	I/O inputs
73	SCB_TX_TR_OUT[0]	SCB0 TX trigger
74	SCB_RX_TR_OUT[0]	SCB0 RX trigger
75	SCB_I2C_SCL_TR_OUT[0]	SCB0 I ² C trigger
76	SCB_TX_TR_OUT[1]	SCB1 TX trigger
77	SCB_RX_TR_OUT[1]	SCB1 RX trigger
78	SCB_I2C_SCL_TR_OUT[1]	SCB1 I ² C trigger
79	SCB_TX_TR_OUT[2]	SCB2 TX trigger
80	SCB_RX_TR_OUT[2]	SCB2 RX trigger
81	SCB_I2C_SCL_TR_OUT[2]	SCB2 I ² C trigger
82	SCB_TX_TR_OUT[3]	SCB3 TX trigger
83	SCB_RX_TR_OUT[3]	SCB3 RX trigger
84	SCB_I2C_SCL_TR_OUT[3]	SCB3 I ² C trigger
85	SCB_TX_TR_OUT[4]	SCB4 TX trigger
86	SCB_RX_TR_OUT[4]	SCB4 RX trigger
87	SCB_I2C_SCL_TR_OUT[4]	SCB4 I ² C trigger
88	SCB_TX_TR_OUT[5]	SCB5 TX trigger
89	SCB_RX_TR_OUT[5]	SCB5 RX trigger
90	SCB_I2C_SCL_TR_OUT[5]	SCB5 I ² C trigger
91	SCB_TX_TR_OUT[6]	SCB6 TX trigger
92	SCB_RX_TR_OUT[6]	SCB6 RX trigger
93	SCB_I2C_SCL_TR_OUT[6]	SCB6 I ² C trigger
94	SCB_TX_TR_OUT[7]	SCB7 TX trigger
95	SCB_RX_TR_OUT[7]	SCB7 RX trigger
96	SCB_I2C_SCL_TR_OUT[7]	SCB7 I ² C trigger
97:99	CAN0_DBG_TR_OUT[0:2]	CAN0 M-DMA0 events
100:102	CAN0_FIFO0_TR_OUT[0:2]	CAN0 FIFO0 events
103:105	CAN0_FIFO1_TR_OUT[0:2]	CAN0 FIFO1 events
106:108	CAN1_DBG_TR_OUT[0:2]	CAN1 M-DMA0 events
109:111	CAN1_FIFO0_TR_OUT[0:2]	CAN1 FIFO0 events
112:114	CAN1_FIFO1_TR_OUT[0:2]	CAN1 FIFO1 events
115:122	EVTGEN_TR_OUT[3:10]	EVTGEN triggers
MUX Group 6: PASS (PASS SAR trigger multiplexer)		
1:16	PDMA0_TR_OUT[0:15]	General purpose P-DMA0 triggers
17:18	CTI_TR_OUT[0:1]	Trace events
19:22	FAULT_TR_OUT[0:3]	Fault events
23:25	EVTGEN_TR_OUT[0:2]	EVTGEN triggers
26:31	PASS_GEN_TR_OUT[0:5]	PASS SAR done signals
32:63	HSIOM_IO_INPUT[0:31]	I/O inputs
64:67	TCPWM_32_TR_OUT1[0:3]	32-bit TCPWM0 counters

Table 17-1. Trigger Inputs (continued)

Input	Trigger Label (TRIG_LABEL)	Description
68:79	TCPWM_16M_TR_OUT1[0:11]	16-bit Motor enhanced TCPWM0 counters
MUX Group 7: CAN TT sync triggers		
1:3	CAN0_TT_TR_OUT[0:2]	CAN0 TT Sync Outputs
4:6	CAN1_TT_TR_OUT[0:2]	CAN1 TT Sync Outputs
MUX Group 8: DebugMain (Debug Multiplexer)		
1:5	TR_GROUP9_OUTPUT[0:4]	Output from debug reduction multiplexer #1
6:10	TR_GROUP10_OUTPUT[0:4]	Output from debug reduction multiplexer #2
MUX Group 9: DebugReduction1 (Debug Reduction #1)		
1:89	PDMA0_TR_OUT[0:88]	P-DMA0 triggers
90:97	SCB_TX_TR_OUT[0:7]	SCB TTCAN tx Triggers
98:105	SCB_RX_TR_OUT[0:7]	SCB TTCAN rx Triggers
106:113	SCB_I2C_SCL_TR_OUT[0:7]	SCB I ² C triggers
114:116	CAN0_DBG_TR_OUT[0:2]	CAN0 P-DMA
117:119	CAN0_FIFO0_TR_OUT[0:2]	CAN0 FIFO0
120:122	CAN0_FIFO1_TR_OUT[0:2]	CAN0 FIFO1
123:125	CAN0_TT_TR_OUT[0:2]	CAN TT Sync Outputs
126:128	CAN1_DBG_TR_OUT[0:2]	CAN1 P-DMA
129:131	CAN1_FIFO0_TR_OUT[0:2]	CAN1 FIFO0
132:134	CAN1_FIFO1_TR_OUT[0:2]	CAN1 FIFO1
135:137	CAN1_TT_TR_OUT[0:2]	CAN TT Sync Outputs
138:139	CTI_TR_OUT[0:1]	Trace events
140:143	FAULT_TR_OUT[0:3]	Fault events
144:147	TCPWM_32_TR_OUT0[0:3]	32-bit TCPWM0 counters
148:159	TCPWM_16M_TR_OUT0[0:11]	16-bit Motor enhanced TCPWM0 counters
160:222	TCPWM_16_TR_OUT0[0:62]	16-bit TCPWM0 counters
MUX Group 10: DebugReduction2 (Debug Reduction #2)		
1:33	PDMA1_TR_OUT[0:32]	16-bit Motor enhanced TCPWM0 counters
34:37	MDMA_TR_OUT[0:3]	16-bit TCPWM0 counters
38:41	TCPWM_32_TR_OUT1[0:3]	32-bit TCPWM0 counters
42:53	TCPWM_16M_TR_OUT1[0:11]	16-bit Motor enhanced TCPWM0 counters
54:116	TCPWM_16_TR_OUT1[0:62]	16-bit TCPWM0 counters
117:122	PASS_GEN_TR_OUT[0:5]	PASS SAR conversion complete events
123:133	EVTGEN_TR_OUT[0:10]	EVTGEN Triggers

18. Triggers Group Outputs

Table 18-1. Trigger Outputs

Output	Trigger Label (TRIG_LABEL)	Description
MUX Group 0: PDMA0_TR (P-DMA0 trigger multiplexer)		
0:7	PDMA0_TR_IN[0:7]	Triggers to P-DMA0[0:7]
MUX Group 1: PDMA1_TR (P-DMA1 trigger multiplexer)		
0:7	PDMA1_TR_IN[0:7]	Triggers to P-DMA1[0:7]
MUX Group 2: MDMA (M-DMA0 trigger multiplexer)		
0:3	MDMA_TR_IN[0:3]	Triggers to M-DMA0
MUX Group 3: TCPWM_TO_PDMA0 (TCPWM0 to P-DMA0 trigger multiplexer)		
0:7	PDMA0_TR_IN[8:15]	Triggers to P-DMA0[8:15]
MUX Group 4: TCPWM_OUT (TCPWM0 loop back multiplexer)		
0:15	TCPWM_ALL_CNT_TR_IN[0:15]	All counters trigger input
MUX Group 5: TCPWM_IN (TCPWM0 Trigger Multiplexer)		
0:10	TCPWM_ALL_CNT_TR_IN[16:26]	Triggers to TCPWM0
MUX Group 6: PASS (PASS SAR trigger multiplexer)		
0:11	PASS_GEN_TR_IN[0:11]	Triggers to SAR ADCs
MUX Group 7: CANTT (CAN TT Sync)		
0:2	CAN0_TT_TR_IN[0:2]	CAN0 TT Sync Inputs
3:5	CAN1_TT_TR_IN[0:2]	CAN1 TT Sync Inputs
MUX Group 8: DebugMain (Debug Multiplexer)		
0:1	HSIOM_IO_OUTPUT[0:1]	To HSIOM as an output
2:3	CTI_TR_IN[0:1]	To CPU Cross Trigger system
4	PERI_DEBUG_FREEZE_TR_IN	Signal to Freeze PERI operation
5	PASS_DEBUG_FREEZE_TR_IN	Signal to Freeze SAR ADC operation
6	SRSS_WDT_DEBUG_FREEZE_TR_IN	Signal to Freeze WDT operation
7:8	SRSS_MCWDT_DEBUG_FREEZE_TR_IN[0:1]	Signal to Freeze MCWDT operation
9	TCPWM_DEBUG_FREEZE_TR_IN	Signal to Freeze TCPWM0 operation
MUX Group 9: DebugReduction1 (Debug Reduction #1)		
0:4	TR_GROUP8_INPUT[1:5]	To main debug multiplexer
MUX Group 10: DebugReduction2 (Debug Reduction #2)		
0:4	TR_GROUP8_INPUT[6:10]	To main debug multiplexer

19. Triggers One-to-One

Table 19-1. Triggers 1:1

Input	Trigger In	Trigger Out	Description
MUX Group 0: TCPWM0 to LIN0 Triggers			
0:7	TCPWM0_16_TR_OUT0[0:7]	LIN0_CMD_TR_IN[0:7]	TCPWM0 (Group #0 Counter #00 to #07) to LIN0
MUX Group 1: TCPWM0 to PASS SARx direct connect			
0	TCPWM0_16M_TR_OUT1[0]	PASS0_CH_TR_IN[0]	TCPWM0 Group #1 Counter #00 (PWM0_M_0) to SAR0 ch#0
1	TCPWM0_16M_TR_OUT1[1]	PASS0_CH_TR_IN[1]	TCPWM0 Group #1 Counter #03 (PWM0_M_3) to SAR0 ch#1
2	TCPWM0_16M_TR_OUT1[2]	PASS0_CH_TR_IN[2]	TCPWM0 Group #1 Counter #06 (PWM0_M_6) to SAR0 ch#2
3	TCPWM0_16M_TR_OUT1[3]	PASS0_CH_TR_IN[3]	TCPWM0 Group #1 Counter #09 (PWM0_M_9) to SAR0 ch#3
4:23	TCPWM0_16_TR_OUT1[0:19]	PASS0_CH_TR_IN[4:23]	TCPWM0 Group #0 Counter #00 through 19 (PWM0_0 to PWM0_19) to SAR0 ch#4 through SAR0 ch#23
24	TCPWM0_16M_TR_OUT1[4]	PASS0_CH_TR_IN[32]	TCPWM0 Group #1 Counter #01 (PWM0_M_1) to SAR1 ch#0
25	TCPWM0_16M_TR_OUT1[5]	PASS0_CH_TR_IN[33]	TCPWM0 Group #1 Counter #04 (PWM0_M_4) to SAR1 ch#1
26	TCPWM0_16M_TR_OUT1[6]	PASS0_CH_TR_IN[34]	TCPWM0 Group #1 Counter #07 (PWM0_M_7) to SAR1 ch#2
27	TCPWM0_16M_TR_OUT1[7]	PASS0_CH_TR_IN[35]	TCPWM0 Group #1 Counter #10 (PWM0_M_10) to SAR1 ch#3
28:55	TCPWM0_16_TR_OUT1[20:47]	PASS0_CH_TR_IN[36:63]	TCPWM0 Group #0 Counter #20 through 47 (PWM0_20 to PWM0_47) to SAR1 ch#4 through SAR1 ch#31
56	TCPWM0_16M_TR_OUT1[8]	PASS0_CH_TR_IN[64]	TCPWM0 Group #1 Counter #02 (PWM0_M_2) to SAR2 ch#0
57	TCPWM0_16M_TR_OUT1[9]	PASS0_CH_TR_IN[65]	TCPWM0 Group #1 Counter #05 (PWM0_M_5) to SAR2 ch#1
58	TCPWM0_16M_TR_OUT1[10]	PASS0_CH_TR_IN[66]	TCPWM0 Group #1 Counter #08 (PWM0_M_8) to SAR2 ch#2
59	TCPWM0_16M_TR_OUT1[11]	PASS0_CH_TR_IN[67]	TCPWM0 Group #1 Counter #11 (PWM0_M_11) to SAR2 ch#3
60:63	TCPWM0_16_TR_OUT1[48:51]	PASS0_CH_TR_IN[68:71]	TCPWM0 Group #0 Counter #48 through 51 (PWM0_48 to PWM0_51) to SAR2 ch#4 through SAR2 ch#7
MUX Group 2: PASS SARx to P-DMA0 direct connect			
0:23	PASS0_CH_DONE_TR_OUT[0:23]	PDMA0_TR_IN[25:48]	PASS SAR0 [0:23] to P-DMA0 direct connect
24:55	PASS0_CH_DONE_TR_OUT[32:63]	PDMA0_TR_IN[49:80]	PASS SAR1 [0:31] to P-DMA0 direct connect
56:63	PASS0_CH_DONE_TR_OUT[64:71]	PDMA0_TR_IN[81:88]	PASS SAR2 [0:7] to P-DMA0 direct connect
MUX Group 3: PASS SARx to TCPWM0 direct connect			
0	PASS0_CH_RANGEVIO_TR_OUT[0]	TCPWM0_16M_ONE_CNT_TR_IN[0]	SAR0 ch#0 ^[29] , range violation to TCPWM0 Group #1 Counter #00 trig=2
1	PASS0_CH_RANGEVIO_TR_OUT[1]	TCPWM0_16M_ONE_CNT_TR_IN[3]	SAR0 ch#1, range violation to TCPWM0 Group #1 Counter #03 trig=2
2	PASS0_CH_RANGEVIO_TR_OUT[2]	TCPWM0_16M_ONE_CNT_TR_IN[6]	SAR0 ch#2, range violation to TCPWM0 Group #1 Counter #06 trig=2
3	PASS0_CH_RANGEVIO_TR_OUT[3]	TCPWM0_16M_ONE_CNT_TR_IN[9]	SAR0 ch#3, range violation to TCPWM0 Group #1 Counter #09 trig=2
4	PASS0_CH_RANGEVIO_TR_OUT[4]	TCPWM0_16M_ONE_CNT_TR_IN[0]	SAR0 ch#4, range violation to TCPWM0 Group #0 Counter #00 trig=2
5	PASS0_CH_RANGEVIO_TR_OUT[5]	TCPWM0_16M_ONE_CNT_TR_IN[1]	SAR0 ch#5, range violation to TCPWM0 Group #0 Counter #01 trig=2
6	PASS0_CH_RANGEVIO_TR_OUT[6]	TCPWM0_16M_ONE_CNT_TR_IN[2]	SAR0 ch#6, range violation to TCPWM0 Group #0 Counter #02 trig=2
7	PASS0_CH_RANGEVIO_TR_OUT[7]	TCPWM0_16M_ONE_CNT_TR_IN[3]	SAR0 ch#7, range violation to TCPWM0 Group #0 Counter #03 trig=2
8	PASS0_CH_RANGEVIO_TR_OUT[8]	TCPWM0_16M_ONE_CNT_TR_IN[4]	SAR0 ch#8, range violation to TCPWM0 Group #0 Counter #04 trig=2
9	PASS0_CH_RANGEVIO_TR_OUT[9]	TCPWM0_16M_ONE_CNT_TR_IN[5]	SAR0 ch#9, range violation to TCPWM0 Group #0 Counter #05 trig=2
10	PASS0_CH_RANGEVIO_TR_OUT[10]	TCPWM0_16M_ONE_CNT_TR_IN[6]	SAR0 ch#10, range violation to TCPWM0 Group #0 Counter #06 trig=2
11	PASS0_CH_RANGEVIO_TR_OUT[11]	TCPWM0_16M_ONE_CNT_TR_IN[7]	SAR0 ch#11, range violation to TCPWM0 Group #0 Counter #07 trig=2
12	PASS0_CH_RANGEVIO_TR_OUT[12]	TCPWM0_16M_ONE_CNT_TR_IN[8]	SAR0 ch#12, range violation to TCPWM0 Group #0 Counter #08 trig=2
13	PASS0_CH_RANGEVIO_TR_OUT[13]	TCPWM0_16M_ONE_CNT_TR_IN[9]	SAR0 ch#13, range violation to TCPWM0 Group #0 Counter #09 trig=2

Note

29. Each logical channel of SAR ADC[x] can be connected to any of the SAR ADC[x]_y external pin. (x = 0, or 1, or 2 and y=0 to max 31)

Table 19-1. Triggers 1:1 (continued)

Input	Trigger In	Trigger Out	Description
14	PASS0_CH_RANGEVIO_TR_OUT[14]	TCPWM0_16_ONE_CNT_TR_IN[10]	SAR0 ch#14, range violation to TCPWM0 Group #0 Counter #10 trig=2
15	PASS0_CH_RANGEVIO_TR_OUT[15]	TCPWM0_16_ONE_CNT_TR_IN[11]	SAR0 ch#15, range violation to TCPWM0 Group #0 Counter #11 trig=2
16	PASS0_CH_RANGEVIO_TR_OUT[16]	TCPWM0_16_ONE_CNT_TR_IN[12]	SAR0 ch#16, range violation to TCPWM0 Group #0 Counter #12 trig=2
17	PASS0_CH_RANGEVIO_TR_OUT[17]	TCPWM0_16_ONE_CNT_TR_IN[13]	SAR0 ch#17, range violation to TCPWM0 Group #0 Counter #13 trig=2
18	PASS0_CH_RANGEVIO_TR_OUT[18]	TCPWM0_16_ONE_CNT_TR_IN[14]	SAR0 ch#18, range violation to TCPWM0 Group #0 Counter #14 trig=2
19	PASS0_CH_RANGEVIO_TR_OUT[19]	TCPWM0_16_ONE_CNT_TR_IN[15]	SAR0 ch#19, range violation to TCPWM0 Group #0 Counter #15 trig=2
20	PASS0_CH_RANGEVIO_TR_OUT[20]	TCPWM0_16_ONE_CNT_TR_IN[16]	SAR0 ch#20, range violation to TCPWM0 Group #0 Counter #16 trig=2
21	PASS0_CH_RANGEVIO_TR_OUT[21]	TCPWM0_16_ONE_CNT_TR_IN[17]	SAR0 ch#21, range violation to TCPWM0 Group #0 Counter #17 trig=2
22	PASS0_CH_RANGEVIO_TR_OUT[22]	TCPWM0_16_ONE_CNT_TR_IN[18]	SAR0 ch#22, range violation to TCPWM0 Group #0 Counter #18 trig=2
23	PASS0_CH_RANGEVIO_TR_OUT[23]	TCPWM0_16_ONE_CNT_TR_IN[19]	SAR0 ch#23, range violation to TCPWM0 Group #0 Counter #19 trig=2
24	PASS0_CH_RANGEVIO_TR_OUT[32]	TCPWM0_16M_ONE_CNT_TR_IN[1]	SAR1 ch#0, range violation to TCPWM0 Group #1 Counter #01 trig=2
25	PASS0_CH_RANGEVIO_TR_OUT[33]	TCPWM0_16M_ONE_CNT_TR_IN[4]	SAR1 ch#1, range violation to TCPWM0 Group #1 Counter #04 trig=2
26	PASS0_CH_RANGEVIO_TR_OUT[34]	TCPWM0_16M_ONE_CNT_TR_IN[7]	SAR1 ch#2, range violation to TCPWM0 Group #1 Counter #07 trig=2
27	PASS0_CH_RANGEVIO_TR_OUT[35]	TCPWM0_16M_ONE_CNT_TR_IN[10]	SAR1 ch#3, range violation to TCPWM0 Group #1 Counter #10 trig=2
28	PASS0_CH_RANGEVIO_TR_OUT[36]	TCPWM0_16_ONE_CNT_TR_IN[20]	SAR1 ch#4, range violation to TCPWM0 Group #0 Counter #20 trig=2
29	PASS0_CH_RANGEVIO_TR_OUT[37]	TCPWM0_16_ONE_CNT_TR_IN[21]	SAR1 ch#5, range violation to TCPWM0 Group #0 Counter #21 trig=2
30	PASS0_CH_RANGEVIO_TR_OUT[38]	TCPWM0_16_ONE_CNT_TR_IN[22]	SAR1 ch#6, range violation to TCPWM0 Group #0 Counter #22 trig=2
31	PASS0_CH_RANGEVIO_TR_OUT[39]	TCPWM0_16_ONE_CNT_TR_IN[23]	SAR1 ch#7, range violation to TCPWM0 Group #0 Counter #23 trig=2
32	PASS0_CH_RANGEVIO_TR_OUT[40]	TCPWM0_16_ONE_CNT_TR_IN[24]	SAR1 ch#8, range violation to TCPWM0 Group #0 Counter #24 trig=2
33	PASS0_CH_RANGEVIO_TR_OUT[41]	TCPWM0_16_ONE_CNT_TR_IN[25]	SAR1 ch#9, range violation to TCPWM0 Group #0 Counter #25 trig=2
34	PASS0_CH_RANGEVIO_TR_OUT[42]	TCPWM0_16_ONE_CNT_TR_IN[26]	SAR1 ch#10, range violation to TCPWM0 Group #0 Counter #26 trig=2
35	PASS0_CH_RANGEVIO_TR_OUT[43]	TCPWM0_16_ONE_CNT_TR_IN[27]	SAR1 ch#11, range violation to TCPWM0 Group #0 Counter #27 trig=2
36	PASS0_CH_RANGEVIO_TR_OUT[44]	TCPWM0_16_ONE_CNT_TR_IN[28]	SAR1 ch#12, range violation to TCPWM0 Group #0 Counter #28 trig=2
37	PASS0_CH_RANGEVIO_TR_OUT[45]	TCPWM0_16_ONE_CNT_TR_IN[29]	SAR1 ch#13, range violation to TCPWM0 Group #0 Counter #29 trig=2
38	PASS0_CH_RANGEVIO_TR_OUT[46]	TCPWM0_16_ONE_CNT_TR_IN[30]	SAR1 ch#14, range violation to TCPWM0 Group #0 Counter #30 trig=2
39	PASS0_CH_RANGEVIO_TR_OUT[47]	TCPWM0_16_ONE_CNT_TR_IN[31]	SAR1 ch#15, range violation to TCPWM0 Group #0 Counter #31 trig=2
40	PASS0_CH_RANGEVIO_TR_OUT[48]	TCPWM0_16_ONE_CNT_TR_IN[32]	SAR1 ch#16, range violation to TCPWM0 Group #0 Counter #32 trig=2
41	PASS0_CH_RANGEVIO_TR_OUT[49]	TCPWM0_16_ONE_CNT_TR_IN[33]	SAR1 ch#17, range violation to TCPWM0 Group #0 Counter #33 trig=2
42	PASS0_CH_RANGEVIO_TR_OUT[50]	TCPWM0_16_ONE_CNT_TR_IN[34]	SAR1 ch#18, range violation to TCPWM0 Group #0 Counter #34 trig=2
43	PASS0_CH_RANGEVIO_TR_OUT[51]	TCPWM0_16_ONE_CNT_TR_IN[35]	SAR1 ch#19, range violation to TCPWM0 Group #0 Counter #35 trig=2
44	PASS0_CH_RANGEVIO_TR_OUT[52]	TCPWM0_16_ONE_CNT_TR_IN[36]	SAR1 ch#20, range violation to TCPWM0 Group #0 Counter #36 trig=2
45	PASS0_CH_RANGEVIO_TR_OUT[53]	TCPWM0_16_ONE_CNT_TR_IN[37]	SAR1 ch#21, range violation to TCPWM0 Group #0 Counter #37 trig=2
46	PASS0_CH_RANGEVIO_TR_OUT[54]	TCPWM0_16_ONE_CNT_TR_IN[38]	SAR1 ch#22, range violation to TCPWM0 Group #0 Counter #38 trig=2
47	PASS0_CH_RANGEVIO_TR_OUT[55]	TCPWM0_16_ONE_CNT_TR_IN[39]	SAR1 ch#23, range violation to TCPWM0 Group #0 Counter #39 trig=2
48	PASS0_CH_RANGEVIO_TR_OUT[56]	TCPWM0_16_ONE_CNT_TR_IN[40]	SAR1 ch#24, range violation to TCPWM0 Group #0 Counter #40 trig=2
49	PASS0_CH_RANGEVIO_TR_OUT[57]	TCPWM0_16_ONE_CNT_TR_IN[41]	SAR1 ch#25, range violation to TCPWM0 Group #0 Counter #41 trig=2
50	PASS0_CH_RANGEVIO_TR_OUT[58]	TCPWM0_16_ONE_CNT_TR_IN[42]	SAR1 ch#26, range violation to TCPWM0 Group #0 Counter #42 trig=2
51	PASS0_CH_RANGEVIO_TR_OUT[59]	TCPWM0_16_ONE_CNT_TR_IN[43]	SAR1 ch#27, range violation to TCPWM0 Group #0 Counter #43 trig=2
52	PASS0_CH_RANGEVIO_TR_OUT[60]	TCPWM0_16_ONE_CNT_TR_IN[44]	SAR1 ch#28, range violation to TCPWM0 Group #0 Counter #44 trig=2
53	PASS0_CH_RANGEVIO_TR_OUT[61]	TCPWM0_16_ONE_CNT_TR_IN[45]	SAR1 ch#29, range violation to TCPWM0 Group #0 Counter #45 trig=2
54	PASS0_CH_RANGEVIO_TR_OUT[62]	TCPWM0_16_ONE_CNT_TR_IN[46]	SAR1 ch#30, range violation to TCPWM0 Group #0 Counter #46 trig=2

Table 19-1. Triggers 1:1 (continued)

Input	Trigger In	Trigger Out	Description
55	PASS0_CH_RANGEVIO_TR_OUT[63]	TCPWM0_16_ONE_CNT_TR_IN[47]	SAR1 ch#31, range violation to TCPWM0 Group #0 Counter #47 trig=2
56	PASS0_CH_RANGEVIO_TR_OUT[64]	TCPWM0_16M_ONE_CNT_TR_IN[2]	SAR2 ch#0, range violation to TCPWM0 Group #1 Counter #02 trig=2
57	PASS0_CH_RANGEVIO_TR_OUT[65]	TCPWM0_16M_ONE_CNT_TR_IN[5]	SAR2 ch#1, range violation to TCPWM0 Group #1 Counter #05 trig=2
58	PASS0_CH_RANGEVIO_TR_OUT[66]	TCPWM0_16M_ONE_CNT_TR_IN[8]	SAR2 ch#2, range violation to TCPWM0 Group #1 Counter #08 trig=2
59	PASS0_CH_RANGEVIO_TR_OUT[67]	TCPWM0_16M_ONE_CNT_TR_IN[11]	SAR2 ch#3, range violation to TCPWM0 Group #1 Counter #11 trig=2
60	PASS0_CH_RANGEVIO_TR_OUT[68]	TCPWM0_16_ONE_CNT_TR_IN[48]	SAR2 ch#4, range violation to TCPWM0 Group #0 Counter #48 trig=2
61	PASS0_CH_RANGEVIO_TR_OUT[69]	TCPWM0_16_ONE_CNT_TR_IN[49]	SAR2 ch#5, range violation to TCPWM0 Group #0 Counter #49 trig=2
62	PASS0_CH_RANGEVIO_TR_OUT[70]	TCPWM0_16_ONE_CNT_TR_IN[50]	SAR2 ch#6, range violation to TCPWM0 Group #0 Counter #50 trig=2
63	PASS0_CH_RANGEVIO_TR_OUT[71]	TCPWM0_16_ONE_CNT_TR_IN[51]	SAR2 ch#7, range violation to TCPWM0 Group #0 Counter #51 trig=2
MUX Group 4: CAN0 to P-DMA0 Triggers			
0	CAN0_DBG_TR_OUT[0]	PDMA0_TR_IN[16]	CAN0, Channel #0 P-DMA0 trigger
1	CAN0_FIFO0_TR_OUT[0]	PDMA0_TR_IN[17]	CAN0, Channel #0 FIFO0 trigger
2	CAN0_FIFO1_TR_OUT[0]	PDMA0_TR_IN[18]	CAN0, Channel #0 FIFO1 trigger
3	CAN0_DBG_TR_OUT[1]	PDMA0_TR_IN[19]	CAN0, Channel #1 P-DMA0 trigger
4	CAN0_FIFO0_TR_OUT[1]	PDMA0_TR_IN[20]	CAN0, Channel #1 FIFO0 trigger
5	CAN0_FIFO1_TR_OUT[1]	PDMA0_TR_IN[21]	CAN0, Channel #1 FIFO1 trigger
6	CAN0_DBG_TR_OUT[2]	PDMA0_TR_IN[22]	CAN0, Channel #2 P-DMA0 trigger
7	CAN0_FIFO0_TR_OUT[2]	PDMA0_TR_IN[23]	CAN0, Channel #2 FIFO0 trigger
8	CAN0_FIFO1_TR_OUT[2]	PDMA0_TR_IN[24]	CAN0, Channel #2 FIFO1 trigger
MUX Group 5: CAN1 to P-DMA1 triggers			
0	CAN1_DBG_TR_OUT[0]	PDMA1_TR_IN[24]	CAN1, Channel #0 P-DMA01 trigger
1	CAN1_FIFO0_TR_OUT[0]	PDMA1_TR_IN[25]	CAN1, Channel #0 FIFO0 trigger
2	CAN1_FIFO1_TR_OUT[0]	PDMA1_TR_IN[26]	CAN1, Channel #0 FIFO1 trigger
3	CAN1_DBG_TR_OUT[1]	PDMA1_TR_IN[27]	CAN1, Channel #1 P-DMA1 trigger
4	CAN1_FIFO0_TR_OUT[1]	PDMA1_TR_IN[28]	CAN1, Channel #1 FIFO0 trigger
5	CAN1_FIFO1_TR_OUT[1]	PDMA1_TR_IN[29]	CAN1, Channel #1 FIFO1 trigger
6	CAN1_DBG_TR_OUT[2]	PDMA1_TR_IN[30]	CAN1, Channel #2 P-DMA1 trigger
7	CAN1_FIFO0_TR_OUT[2]	PDMA1_TR_IN[31]	CAN1, Channel #2 FIFO0 trigger
8	CAN1_FIFO1_TR_OUT[2]	PDMA1_TR_IN[32]	CAN1, Channel #2 FIFO1 trigger
MUX Group 6: Acknowledge triggers from P-DMA0 to CAN0			
0	PDMA0_TR_OUT[16]	CAN0_DBG_TR_ACK[0]	CAN0, Channel #0 P-DMA0 acknowledge
1	PDMA0_TR_OUT[19]	CAN0_DBG_TR_ACK[1]	CAN0, Channel #1 P-DMA0 acknowledge
2	PDMA0_TR_OUT[22]	CAN0_DBG_TR_ACK[2]	CAN0, Channel #2 P-DMA0 acknowledge
MUX Group 7: Acknowledge triggers from P-DMA1 to CAN1			
0	PDMA1_TR_OUT[24]	CAN1_DBG_TR_ACK[0]	CAN1, Channel #0 P-DMA1 acknowledge
1	PDMA1_TR_OUT[27]	CAN1_DBG_TR_ACK[1]	CAN1, Channel #1 P-DMA1 acknowledge
2	PDMA1_TR_OUT[30]	CAN1_DBG_TR_ACK[2]	CAN1, Channel #2 P-DMA1 acknowledge
MUX Group 8: SCBx to P-DMA1 Triggers			
0	SCB0_TX_TR_OUT	PDMA1_TR_IN[8]	SCB0 TX to P-DMA1 Trigger
1	SCB0_RX_TR_OUT	PDMA1_TR_IN[9]	SCB0 RX to P-DMA1 Trigger
2	SCB1_TX_TR_OUT	PDMA1_TR_IN[10]	SCB1 TX to P-DMA1 Trigger

Table 19-1. Triggers 1:1 (continued)

Input	Trigger In	Trigger Out	Description
3	SCB1_RX_TR_OUT	PDMA1_TR_IN[11]	SCB1 RX to P-DMA1 Trigger
4	SCB2_TX_TR_OUT	PDMA1_TR_IN[12]	SCB2 TX to P-DMA1 Trigger
5	SCB2_RX_TR_OUT	PDMA1_TR_IN[13]	SCB2 RX to P-DMA1 Trigger
6	SCB3_TX_TR_OUT	PDMA1_TR_IN[14]	SCB3 TX to P-DMA1 Trigger
7	SCB3_RX_TR_OUT	PDMA1_TR_IN[15]	SCB3 RX to P-DMA1 Trigger
8	SCB4_TX_TR_OUT	PDMA1_TR_IN[16]	SCB4 TX to P-DMA1 Trigger
9	SCB4_RX_TR_OUT	PDMA1_TR_IN[17]	SCB4 RX to P-DMA1 Trigger
10	SCB5_TX_TR_OUT	PDMA1_TR_IN[18]	SCB5 TX to P-DMA1 Trigger
11	SCB5_RX_TR_OUT	PDMA1_TR_IN[19]	SCB5 RX to P-DMA1 Trigger
12	SCB6_TX_TR_OUT	PDMA1_TR_IN[20]	SCB6 TX to P-DMA1 Trigger
13	SCB6_RX_TR_OUT	PDMA1_TR_IN[21]	SCB6 RX to P-DMA1 Trigger
14	SCB7_TX_TR_OUT	PDMA1_TR_IN[22]	SCB7 TX to P-DMA1 Trigger
15	SCB7_RX_TR_OUT	PDMA1_TR_IN[23]	SCB7 RX to P-DMA1 Trigger

20. Peripheral Clocks

Table 20-1. Peripheral Clock Assignments

Output	Destination	Description
0	PCLK_CPUSS_CLOCK_TRACE_IN	Trace clock
1	PCLK_SMARTIO12_CLOCK	SMART I/O #12
2	PCLK_SMARTIO13_CLOCK	SMART I/O #13
3	PCLK_SMARTIO14_CLOCK	SMART I/O #14
4	PCLK_SMARTIO15_CLOCK	SMART I/O #15
5	PCLK_SMARTIO16_CLOCK	SMART I/O #16
6	PCLK_CANFD0_CLOCK_CAN0	CAN0, Channel #0
7	PCLK_CANFD0_CLOCK_CAN1	CAN0, Channel #1
8	PCLK_CANFD0_CLOCK_CAN2	CAN0, Channel #2
9	PCLK_CANFD1_CLOCK_CAN0	CAN1, Channel #0
10	PCLK_CANFD1_CLOCK_CAN1	CAN1, Channel #1
11	PCLK_CANFD1_CLOCK_CAN2	CAN1, Channel #2
12	PCLK_LIN0_CLOCK_CH_EN0	LIN0, Channel #0
13	PCLK_LIN0_CLOCK_CH_EN1	LIN0, Channel #1
14	PCLK_LIN0_CLOCK_CH_EN2	LIN0, Channel #2
15	PCLK_LIN0_CLOCK_CH_EN3	LIN0, Channel #3
16	PCLK_LIN0_CLOCK_CH_EN4	LIN0, Channel #4
17	PCLK_LIN0_CLOCK_CH_EN5	LIN0, Channel #5
18	PCLK_LIN0_CLOCK_CH_EN6	LIN0, Channel #6
19	PCLK_LIN0_CLOCK_CH_EN7	LIN0, Channel #7
20	PCLK_SCB0_CLOCK	SCB0
21	PCLK_SCB1_CLOCK	SCB1
22	PCLK_SCB2_CLOCK	SCB2
23	PCLK_SCB3_CLOCK	SCB3
24	PCLK_SCB4_CLOCK	SCB4
25	PCLK_SCB5_CLOCK	SCB5
26	PCLK_SCB6_CLOCK	SCB6
27	PCLK_SCB7_CLOCK	SCB7
28	PCLK_PASS0_CLOCK_SAR0	SAR0
29	PCLK_PASS0_CLOCK_SAR1	SAR1
30	PCLK_PASS0_CLOCK_SAR2	SAR2
31	PCLK_TCPWM0_CLOCKS0	TCPWM0 Group #0, Counter #0
32	PCLK_TCPWM0_CLOCKS1	TCPWM0 Group #0, Counter #1
33	PCLK_TCPWM0_CLOCKS2	TCPWM0 Group #0, Counter #2
34	PCLK_TCPWM0_CLOCKS3	TCPWM0 Group #0, Counter #3
35	PCLK_TCPWM0_CLOCKS4	TCPWM0 Group #0, Counter #4
36	PCLK_TCPWM0_CLOCKS5	TCPWM0 Group #0, Counter #5
37	PCLK_TCPWM0_CLOCKS6	TCPWM0 Group #0, Counter #6
38	PCLK_TCPWM0_CLOCKS7	TCPWM0 Group #0, Counter #7
39	PCLK_TCPWM0_CLOCKS8	TCPWM0 Group #0, Counter #8

Table 20-1. Peripheral Clock Assignments *(continued)*

Output	Destination	Description
40	PCLK_TCPWM0_CLOCKS9	TCPWM0 Group #0, Counter #9
41	PCLK_TCPWM0_CLOCKS10	TCPWM0 Group #0, Counter #10
42	PCLK_TCPWM0_CLOCKS11	TCPWM0 Group #0, Counter #11
43	PCLK_TCPWM0_CLOCKS12	TCPWM0 Group #0, Counter #12
44	PCLK_TCPWM0_CLOCKS13	TCPWM0 Group #0, Counter #13
45	PCLK_TCPWM0_CLOCKS14	TCPWM0 Group #0, Counter #14
46	PCLK_TCPWM0_CLOCKS15	TCPWM0 Group #0, Counter #15
47	PCLK_TCPWM0_CLOCKS16	TCPWM0 Group #0, Counter #16
48	PCLK_TCPWM0_CLOCKS17	TCPWM0 Group #0, Counter #17
49	PCLK_TCPWM0_CLOCKS18	TCPWM0 Group #0, Counter #18
50	PCLK_TCPWM0_CLOCKS19	TCPWM0 Group #0, Counter #19
51	PCLK_TCPWM0_CLOCKS20	TCPWM0 Group #0, Counter #20
52	PCLK_TCPWM0_CLOCKS21	TCPWM0 Group #0, Counter #21
53	PCLK_TCPWM0_CLOCKS22	TCPWM0 Group #0, Counter #22
54	PCLK_TCPWM0_CLOCKS23	TCPWM0 Group #0, Counter #23
55	PCLK_TCPWM0_CLOCKS24	TCPWM0 Group #0, Counter #24
56	PCLK_TCPWM0_CLOCKS25	TCPWM0 Group #0, Counter #25
57	PCLK_TCPWM0_CLOCKS26	TCPWM0 Group #0, Counter #26
58	PCLK_TCPWM0_CLOCKS27	TCPWM0 Group #0, Counter #27
59	PCLK_TCPWM0_CLOCKS28	TCPWM0 Group #0, Counter #28
60	PCLK_TCPWM0_CLOCKS29	TCPWM0 Group #0, Counter #29
61	PCLK_TCPWM0_CLOCKS30	TCPWM0 Group #0, Counter #30
62	PCLK_TCPWM0_CLOCKS31	TCPWM0 Group #0, Counter #31
63	PCLK_TCPWM0_CLOCKS32	TCPWM0 Group #0, Counter #32
64	PCLK_TCPWM0_CLOCKS33	TCPWM0 Group #0, Counter #33
65	PCLK_TCPWM0_CLOCKS34	TCPWM0 Group #0, Counter #34
66	PCLK_TCPWM0_CLOCKS35	TCPWM0 Group #0, Counter #35
67	PCLK_TCPWM0_CLOCKS36	TCPWM0 Group #0, Counter #36
68	PCLK_TCPWM0_CLOCKS37	TCPWM0 Group #0, Counter #37
69	PCLK_TCPWM0_CLOCKS38	TCPWM0 Group #0, Counter #38
70	PCLK_TCPWM0_CLOCKS39	TCPWM0 Group #0, Counter #39
71	PCLK_TCPWM0_CLOCKS40	TCPWM0 Group #0, Counter #40
72	PCLK_TCPWM0_CLOCKS41	TCPWM0 Group #0, Counter #41
73	PCLK_TCPWM0_CLOCKS42	TCPWM0 Group #0, Counter #42
74	PCLK_TCPWM0_CLOCKS43	TCPWM0 Group #0, Counter #43
75	PCLK_TCPWM0_CLOCKS44	TCPWM0 Group #0, Counter #44
76	PCLK_TCPWM0_CLOCKS45	TCPWM0 Group #0, Counter #45
77	PCLK_TCPWM0_CLOCKS46	TCPWM0 Group #0, Counter #46
78	PCLK_TCPWM0_CLOCKS47	TCPWM0 Group #0, Counter #47
79	PCLK_TCPWM0_CLOCKS48	TCPWM0 Group #0, Counter #48
80	PCLK_TCPWM0_CLOCKS49	TCPWM0 Group #0, Counter #49

Table 20-1. Peripheral Clock Assignments (continued)

Output	Destination	Description
81	PCLK_TCPWM0_CLOCKS50	TCPWM0 Group #0, Counter #50
82	PCLK_TCPWM0_CLOCKS51	TCPWM0 Group #0, Counter #51
83	PCLK_TCPWM0_CLOCKS52	TCPWM0 Group #0, Counter #52
84	PCLK_TCPWM0_CLOCKS53	TCPWM0 Group #0, Counter #53
85	PCLK_TCPWM0_CLOCKS54	TCPWM0 Group #0, Counter #54
86	PCLK_TCPWM0_CLOCKS55	TCPWM0 Group #0, Counter #55
87	PCLK_TCPWM0_CLOCKS56	TCPWM0 Group #0, Counter #56
88	PCLK_TCPWM0_CLOCKS57	TCPWM0 Group #0, Counter #57
89	PCLK_TCPWM0_CLOCKS58	TCPWM0 Group #0, Counter #58
90	PCLK_TCPWM0_CLOCKS59	TCPWM0 Group #0, Counter #59
91	PCLK_TCPWM0_CLOCKS60	TCPWM0 Group #0, Counter #60
92	PCLK_TCPWM0_CLOCKS61	TCPWM0 Group #0, Counter #61
93	PCLK_TCPWM0_CLOCKS62	TCPWM0 Group #0, Counter #62
94	PCLK_TCPWM0_CLOCKS256	TCPWM0 Group #1, Counter #0
95	PCLK_TCPWM0_CLOCKS257	TCPWM0 Group #1, Counter #1
96	PCLK_TCPWM0_CLOCKS258	TCPWM0 Group #1, Counter #2
97	PCLK_TCPWM0_CLOCKS259	TCPWM0 Group #1, Counter #3
98	PCLK_TCPWM0_CLOCKS260	TCPWM0 Group #1, Counter #4
99	PCLK_TCPWM0_CLOCKS261	TCPWM0 Group #1, Counter #5
100	PCLK_TCPWM0_CLOCKS262	TCPWM0 Group #1, Counter #6
101	PCLK_TCPWM0_CLOCKS263	TCPWM0 Group #1, Counter #7
102	PCLK_TCPWM0_CLOCKS264	TCPWM0 Group #1, Counter #8
103	PCLK_TCPWM0_CLOCKS265	TCPWM0 Group #1, Counter #9
104	PCLK_TCPWM0_CLOCKS266	TCPWM0 Group #1, Counter #10
105	PCLK_TCPWM0_CLOCKS267	TCPWM0 Group #1, Counter #11
106	PCLK_TCPWM0_CLOCKS512	TCPWM0 Group #2, Counter #0
107	PCLK_TCPWM0_CLOCKS513	TCPWM0 Group #2, Counter #1
108	PCLK_TCPWM0_CLOCKS514	TCPWM0 Group #2, Counter #2
109	PCLK_TCPWM0_CLOCKS515	TCPWM0 Group #2, Counter #3

21. Faults

Table 21-1. Fault Assignments

Fault	Source	Description
0	CPUSS_MPU_VIO_0	CM0+ SMPU violation DATA0[31:0]: Violating address. DATA1[0]: User read. DATA1[1]: User write. DATA1[2]: User execute. DATA1[3]: Privileged read. DATA1[4]: Privileged write. DATA1[5]: Privileged execute. DATA1[6]: Non-secure. DATA1[11:8]: Master identifier. DATA1[15:12]: Protection context identifier. DATA1[31]: '0' MPU violation; '1': SMPU violation.
1	CPUSS_MPU_VIO_1	Crypto SMPU violation. See CPUSS_MPU_VIO_0 description.
2	CPUSS_MPU_VIO_2	P-DMA0 MPU/SMPU violation. See CPUSS_MPU_VIO_0 description.
3	CPUSS_MPU_VIO_3	P-DMA1 MPU/SMPU violation. See CPUSS_MPU_VIO_0 description.
4	CPUSS_MPU_VIO_4	M-DMA0 MPU/SMPU violation. See CPUSS_MPU_VIO_0 description.
15	CPUSS_MPU_VIO_15	Test Controller MPU/SMPU violation. See CPUSS_MPU_VIO_0 description.
16	CPUSS_MPU_VIO_16	CM4 system bus AHB-Lite interface MPU violation. See CPUSS_MPU_VIO_0 description.
17	CPUSS_MPU_VIO_17	CM4 code bus AHB-Lite interface MPU violation for non flash controller accesses. See CPUSS_MPU_VIO_0 description.
18	CPUSS_MPU_VIO_18	CM4 code bus AHB-Lite interface MPU violation for flash controller accesses. See CPUSS_MPU_VIO_0 description.
26	PERI_PERI_C_ECC	Peripheral protection SRAM correctable ECC violation DATA0[10:0]: Violating address. DATA1[7:0]: Syndrome of SRAM word.
27	PERI_PERI_NC_ECC	Peripheral protection SRAM non-correctable ECC violation
28	PERI_MS_VIO_0	CM0+ Peripheral Master Interface PPU violation DATA0[31:0]: Violating address. DATA1[0]: User read. DATA1[1]: User write. DATA1[2]: User execute. DATA1[3]: Privileged read. DATA1[4]: Privileged write. DATA1[5]: Privileged execute. DATA1[6]: Non-secure. DATA1[11:8]: Master identifier. DATA1[15:12]: Protection context identifier. DATA1[31:28]: "0": master interface, PPU violation, "1": timeout detected, "2": bus error, other: undefined.
29	PERI_MS_VIO_1	CM4 Peripheral Master Interface PPU violation. See PERI_MS_VIO_0 description.
30	PERI_MS_VIO_2	P-DMA0 Peripheral Master Interface PPU violation. See PERI_MS_VIO_0 description.
31	PERI_MS_VIO_3	P-DMA1 Peripheral Master Interface PPU violation. See PERI_MS_VIO_0 description.
32	PERI_GROUP_VIO_0	Peripheral Group #0 PPU violation. DATA0[31:0]: Violating address. DATA1[0]: User read. DATA1[1]: User write. DATA1[2]: User execute. DATA1[3]: Privileged read. DATA1[4]: Privileged write. DATA1[5]: Privileged execute. DATA1[6]: Non-secure. DATA1[11:8]: Master identifier. DATA1[15:12]: Protection context identifier. DATA1[31:28]: "0": decoder or peripheral bus error, other: undefined.
33	PERI_GROUP_VIO_1	Peripheral Group #1 PPU violation. See PERI_GROUP_VIO_0 description.
34	PERI_GROUP_VIO_2	Peripheral Group #2 PPU violation. See PERI_GROUP_VIO_0 description.

Table 21-1. Fault Assignments (continued)

Fault	Source	Description
35	PERI_GROUP_VIO_3	Peripheral Group #3 PPU violation. See PERI_GROUP_VIO_0 description.
37	PERI_GROUP_VIO_5	Peripheral Group #4 PPU violation. See PERI_GROUP_VIO_0 description.
38	PERI_GROUP_VIO_6	Peripheral Group #5 PPU violation. See PERI_GROUP_VIO_0 description.
41	PERI_GROUP_VIO_9	Peripheral Group #6 PPU violation. See PERI_GROUP_VIO_0 description.
48	CPUSS_FLASHC_MAIN_BUS_ERROR	Flash controller main flash bus error FAULT_DATA0[26:0]: Violating address. Append 5'b00010 as most significant bits to derive 32-bit system address. FAULT_DATA1[11:8]: Master identifier.
49	CPUSS_FLASHC_MAIN_C_ECC	Flash controller main flash cache correctable ECC violation DATA[26:0]: Violating address. Append 5'b00010 as most significant bits to derive 32-bit system address. DATA1[7:0]: Syndrome of 64-bit word (at address offset 0x00). DATA1[15:8]: Syndrome of 64-bit word (at address offset 0x08). DATA1[23:16]: Syndrome of 64-bit word (at address offset 0x10). DATA1[31:24]: Syndrome of 64-bit word (at address offset 0x18).
50	CPUSS_FLASHC_MAIN_NC_ECC	Flash controller main flash cache non-correctable ECC violation. See CPUSS_FLASHC_MAIN_C_ECC description.
51	CPUSS_FLASHC_WORK_BUS_ERROR	Flash controller work-flash bus error. See CPUSS_FLASHC_MAIN_BUS_ERR description.
52	CPUSS_FLASHC_WORK_C_ECC	Flash controller work flash cache correctable ECC violation. DATA0[26:0]: Violating address. Append 5'b00010 as most significant bits to derive 32-bit system address. DATA1[6:0]: Syndrome of 32-bit word.
53	CPUSS_FLASHC_WORK_NC_ECC	Flash controller work-flash cache non-correctable ECC violation. See CPUSS_FLASHC_WORK_C_ECC description.
54	CPUSS_FLASHC_CM0_CA_C_ECC	Flash controller CM0+ cache correctable ECC violation. DATA0[26:0]: Violating address. DATA1[6:0]: Syndrome of 32-bit SRAM word (at address offset 0x0). DATA1[14:8]: Syndrome of 32-bit SRAM word (at address offset 0x4). DATA1[22:16]: Syndrome of 32-bit SRAM word (at address offset 0x8). DATA1[30:24]: Syndrome of 32-bit SRAM word (at address offset 0xc).
55	CPUSS_FLASHC_CM0_CA_NC_ECC	Flash controller CM0+ cache non-correctable ECC violation. See CPUSS_FLASHC_CM0_CA_C_ECC description.
56	CPUSS_FLASHC_CM4_CA_C_ECC	Flash controller CM4 cache correctable ECC violation. See CPUSS_FLASHC_CM0_CA_C_ECC description.
57	CPUSS_FLASHC_CM4_CA_NC_ECC	Flash controller CM4 cache non-correctable ECC violation. See CPUSS_FLASHC_CM0_CA_C_ECC description.
58	CPUSS_RAMC0_C_ECC	System memory controller 0 correctable ECC violation: DATA0[31:0]: Violating address. DATA1[6:0]: Syndrome of 32-bit SRAM code word.
59	CPUSS_RAMC0_NC_ECC	System memory controller 0 non-correctable ECC violation. See CPUSS_RAMC0_C_ECC description.
60	CPUSS_RAMC1_C_ECC	System memory controller 1 correctable ECC violation. See CPUSS_RAMC0_C_ECC description.
61	CPUSS_RAMC1_NC_ECC	System memory controller 1 non-correctable ECC violation. See CPUSS_RAMC0_C_ECC description.
64	CPUSS_CRYPT0_C_ECC	Crypto memory correctable ECC violation. DATA0[31:0]: Violating address. DATA1[6:0]: Syndrome of Least Significant 32-bit SRAM. DATA1[14:8]: Syndrome of Most Significant 32-bit SRAM.
65	CPUSS_CRYPT0_NC_ECC	Crypto memory non-correctable ECC violation. See CPUSS_CRYPT0_C_ECC description.
70	CPUSS_DW0_C_ECC	P-DMA0 memory correctable ECC violation: DATA0[11:0]: Violating DW SRAM address (word address, assuming byte addressable). DATA1[6:0]: Syndrome of 32-bit SRAM code word.
71	CPUSS_DW0_NC_ECC	P-DMA0 memory non-correctable ECC violation. See CPUSS_DW0_C_ECC description.
72	CPUSS_DW1_C_ECC	P-DMA1 memory correctable ECC violation. See CPUSS_DW0_C_ECC description.

Table 21-1. Fault Assignments (continued)

Fault	Source	Description
73	CPUSS_DW1_NC_ECC	P-DMA1 memory non-correctable ECC violation. See CPUSS_DW0_C_ECC description.
74	CPUSS_FM_SRAM_C_ECC	Flash code storage SRAM memory correctable ECC violation: DATA0[15:0]: Address location in the eCT Flash SRAM. DATA1[6:0]: Syndrome of 32-bit SRAM word.
75	CPUSS_FM_SRAM_NC_ECC	Flash code storage SRAM memory non-correctable ECC violation: See CPUSS_FM_SRAMC_C_ECC description.
80	CANFD_0_CAN_C_ECC	CAN0 message buffer correctable ECC violation: DATA0[15:0]: Violating address. DATA0[22:16]: ECC violating data[38:32] from MRAM. DATA0[27:24]: Master ID: 0-7 = CAN channel ID within mxttcanfd cluster, 8 = AHB I/F DATA1[31:0]: ECC violating data[31:0] from MRAM.
81	CANFD_0_CAN_NC_ECC	CAN0 message buffer non-correctable ECC violation: DATA0[15:0]: Violating address. DATA0[22:16]: ECC violating data[38:32] from MRAM (not for Address Error). DATA0[27:24]: Master ID: 0-7 = CAN channel ID within mxttcanfd cluster, 8 = AHB I/F DATA0[30]: Write access, only possible for Address Error DATA0[31]: Address Error: a CAN channel did an MRAM access above MRAM_SIZE DATA1[31:0]: ECC violating data[31:0] from MRAM (not for Address Error).
82	CANFD_1_CAN_C_ECC	CAN1 message buffer correctable ECC violation. See CANFD_0_CAN_C_ECC description.
83	CANFD_1_CAN_NC_ECC	CAN1 message buffer non-correctable ECC violation. See CANFD_0_CAN_NC_ECC description.
90	SRSS_FAULT_CSV	Consolidated fault output for clock supervisors. Multiple CSV can detect a violation at the same time. DATA0[15:0]: CLK_HF* root CSV violation flags. DATA0[24]: CLK_REF CSV violation flag (reference clock for CLK_HF CSVs) DATA0[25]: CLK_LF CSV violation flag DATA0[26]: CLK_HVILO CSV violation flag
91	SRSS_FAULT_SSV	Consolidated fault output for supply supervisors. Multiple CSV can detect a violation at the same time. DATA0[0]: BOD on VDDA DATA[1]: OVD on VDDA DATA[16]: LVD/HVD #1 DATA0[17]: LVD/HVD #2
92	SRSS_FAULT_MCWDT0	Fault output for MCWDT0 (all sub-counters) Multiple counters can detect a violation at the same time. DATA0[0]: MCWDT sub counter 0 LOWER_LIMIT DATA0[1]: MCWDT sub counter 0 UPPER_LIMIT DATA0[2]: MCWDT sub counter 1 LOWER_LIMIT DATA0[3]: MCWDT sub counter 1 UPPER_LIMIT
93	SRSS_FAULT_MCWDT1	Fault output for MCWDT1 (all sub-counters). See SRSS_FAULT_MCWDT0 description.

22. Peripheral Protection Unit Fixed Structure Pairs

Protection pair is a pair PPU structures, a master and a slave structure. The master structure protects the slave structure, and the slave structure protects resources such as peripheral registers, or the peripheral itself.

Table 22-1. PPU Fixed Structure Pairs

Pair No.	PPU Fixed Structure Pair	Address	Size	Description
0	PERI_MS_PPU_FX_PERI_MAIN	0x40000000	0x00002000	Peripheral Interconnect main
1	PERI_MS_PPU_FX_PERI_SECURE	0x40002000	0x00000004	Peripheral interconnect secure
2	PERI_MS_PPU_FX_PERI_GR0_GROUP	0x40004010	0x00000004	Peripheral Group #0 main
3	PERI_MS_PPU_FX_PERI_GR1_GROUP	0x40004030	0x00000004	Peripheral Group #1 main
4	PERI_MS_PPU_FX_PERI_GR2_GROUP	0x40004050	0x00000004	Peripheral Group #2 main
5	PERI_MS_PPU_FX_PERI_GR3_GROUP	0x40004060	0x00000020	Peripheral Group #3 main
6	PERI_MS_PPU_FX_PERI_GR5_GROUP	0x400040A0	0x00000020	Peripheral Group #5 main
7	PERI_MS_PPU_FX_PERI_GR6_GROUP	0x400040C0	0x00000020	Peripheral Group #6 main
8	PERI_MS_PPU_FX_PERI_GR9_GROUP	0x40004120	0x00000020	Peripheral Group #9 main
9	PERI_MS_PPU_FX_PERI_TR	0x40008000	0x00008000	Peripheral trigger multiplexer
10	PERI_MS_PPU_FX_CRYPT0_MAIN	0x40100000	0x00000400	Crypto main
11	PERI_MS_PPU_FX_CRYPT0_CRYPT0	0x40101000	0x00000800	Crypto MMIO (Memory Mapped I/O)
12	PERI_MS_PPU_FX_CRYPT0_BOOT	0x40102000	0x00000100	Crypto boot
13	PERI_MS_PPU_FX_CRYPT0_KEY0	0x40102100	0x00000004	Crypto Key #0
14	PERI_MS_PPU_FX_CRYPT0_KEY1	0x40102120	0x00000004	Crypto Key #1
15	PERI_MS_PPU_FX_CRYPT0_BUF	0x40108000	0x00002000	Crypto buffer
16	PERI_MS_PPU_FX_CPUSS_CM4	0x40200000	0x00000400	CM4 CPU core
17	PERI_MS_PPU_FX_CPUSS_CM0	0x40201000	0x00001000	CM0+ CPU core
18	PERI_MS_PPU_FX_CPUSS_BOOT ^[30]	0x40202000	0x00000200	CPUSS boot
19	PERI_MS_PPU_FX_CPUSS_CM0_INT	0x40208000	0x00000800	CPUSS CM0+ interrupts
20	PERI_MS_PPU_FX_CPUSS_CM4_INT	0x4020A000	0x00000800	CPUSS CM4 interrupts
21	PERI_MS_PPU_FX_FAULT_STRUCT0_MAIN	0x40210000	0x00000100	CPUSS Fault Structure #0 main
22	PERI_MS_PPU_FX_FAULT_STRUCT1_MAIN	0x40210100	0x00000100	CPUSS Fault Structure #1 main
23	PERI_MS_PPU_FX_FAULT_STRUCT2_MAIN	0x40210200	0x00000100	CPUSS Fault Structure #2 main
24	PERI_MS_PPU_FX_FAULT_STRUCT3_MAIN	0x40210300	0x00000100	CPUSS Fault Structure #3 main
25	PERI_MS_PPU_FX_IPC_STRUCT0_IPC	0x40220000	0x00000020	CPUSS IPC Structure #0
26	PERI_MS_PPU_FX_IPC_STRUCT1_IPC	0x40220020	0x00000020	CPUSS IPC Structure #1
27	PERI_MS_PPU_FX_IPC_STRUCT2_IPC	0x40220040	0x00000020	CPUSS IPC Structure #2
28	PERI_MS_PPU_FX_IPC_STRUCT3_IPC	0x40220060	0x00000020	CPUSS IPC Structure #3
29	PERI_MS_PPU_FX_IPC_STRUCT4_IPC	0x40220080	0x00000020	CPUSS IPC Structure #4
30	PERI_MS_PPU_FX_IPC_STRUCT5_IPC	0x402200A0	0x00000020	CPUSS IPC Structure #5
31	PERI_MS_PPU_FX_IPC_STRUCT6_IPC	0x402200C0	0x00000020	CPUSS IPC Structure #6
32	PERI_MS_PPU_FX_IPC_STRUCT7_IPC	0x402200E0	0x00000020	CPUSS IPC Structure #7
33	PERI_MS_PPU_FX_IPC_INTR_STRUCT0_INTR	0x40221000	0x00000010	CPUSS IPC Interrupt Structure #0
34	PERI_MS_PPU_FX_IPC_INTR_STRUCT1_INTR	0x40221020	0x00000010	CPUSS IPC Interrupt Structure #1
35	PERI_MS_PPU_FX_IPC_INTR_STRUCT2_INTR	0x40221040	0x00000010	CPUSS IPC Interrupt Structure #2

Note

³⁰. Fixed PPU is configured inside the Boot and user is not allowed to change the attributes of this PPU.

Table 22-1. PPU Fixed Structure Pairs (continued)

Pair No.	PPU Fixed Structure Pair	Address	Size	Description
36	PERI_MS_PPU_FX_IPC_INTR_STRUCT3_INTR	0x40221060	0x00000010	CPUSS IPC Interrupt Structure #3
37	PERI_MS_PPU_FX_IPC_INTR_STRUCT4_INTR	0x40221080	0x00000010	CPUSS IPC Interrupt Structure #4
38	PERI_MS_PPU_FX_IPC_INTR_STRUCT5_INTR	0x402210A0	0x00000010	CPUSS IPC Interrupt Structure #5
39	PERI_MS_PPU_FX_IPC_INTR_STRUCT6_INTR	0x402210C0	0x00000010	CPUSS IPC Interrupt Structure #6
40	PERI_MS_PPU_FX_IPC_INTR_STRUCT7_INTR	0x402210E0	0x00000010	CPUSS IPC Interrupt Structure #7
41	PERI_MS_PPU_FX_PROT_SMPU_MAIN	0x40230000	0x00000040	Peripheral protection SMPU main
42	PERI_MS_PPU_FX_PROT_MPU0_MAIN	0x40234000	0x00000004	Peripheral protection MPU #0 main
43	PERI_MS_PPU_FX_PROT_MPU14_MAIN	0x40237800	0x00000004	Peripheral protection MPU #14 main
44	PERI_MS_PPU_FX_PROT_MPU15_MAIN	0x40237C00	0x00000400	Peripheral protection MPU #15 main
45	PERI_MS_PPU_FX_FLASHC_MAIN	0x40240000	0x00000008	Flash controller main
46	PERI_MS_PPU_FX_FLASHC_CMD	0x40240008	0x00000004	Flash controller command
47	PERI_MS_PPU_FX_FLASHC_DFT	0x40240200	0x00000100	Flash controller tests
48	PERI_MS_PPU_FX_FLASHC_CM0	0x40240400	0x00000080	Flash controller CM0+
49	PERI_MS_PPU_FX_FLASHC_CM4	0x40240480	0x00000080	Flash controller CM4
50	PERI_MS_PPU_FX_FLASHC_CRYPTO	0x40240500	0x00000004	Flash controller Crypto
51	PERI_MS_PPU_FX_FLASHC_DW0	0x40240580	0x00000004	Flash controller P-DMA0
52	PERI_MS_PPU_FX_FLASHC_DW1	0x40240600	0x00000004	Flash controller P-DMA1
53	PERI_MS_PPU_FX_FLASHC_DMAC	0x40240680	0x00000004	Flash controller M-DMA0
54	PERI_MS_PPU_FX_FLASHC_FlashMgmt ^[30]	0x4024F000	0x00000080	Flash management
55	PERI_MS_PPU_FX_FLASHC_MainSafety	0x4024F400	0x00000008	Flash controller code-flash safety
56	PERI_MS_PPU_FX_FLASHC_WorkSafety	0x4024F500	0x00000004	Flash controller work-flash safety
57	PERI_MS_PPU_FX_SRSS_GENERAL	0x40260000	0x00000400	SRSS General
58	PERI_MS_PPU_FX_SRSS_MAIN	0x40261000	0x00001000	SRSS main
59	PERI_MS_PPU_FX_SRSS_SECURE	0x40262000	0x00002000	SRSS secure
60	PERI_MS_PPU_FX_MCWDT0_CONFIG	0x40268000	0x00000080	MCWDT #0 configuration
61	PERI_MS_PPU_FX_MCWDT1_CONFIG	0x40268100	0x00000080	MCWDT #1 configuration
62	PERI_MS_PPU_FX_MCWDT0_MAIN	0x40268080	0x00000040	MCWDT #0 main
63	PERI_MS_PPU_FX_MCWDT1_MAIN	0x40268180	0x00000040	MCWDT #1 main
64	PERI_MS_PPU_FX_WDT_CONFIG	0x4026C000	0x00000020	System WDT configuration
65	PERI_MS_PPU_FX_WDT_MAIN	0x4026C040	0x00000020	System WDT main
66	PERI_MS_PPU_FX_BACKUP_BACKUP	0x40270000	0x00010000	SRSS backup
67	PERI_MS_PPU_FX_DW0_DW	0x40280000	0x00000100	P-DMA0 main
68	PERI_MS_PPU_FX_DW1_DW	0x40290000	0x00000100	P-DMA1 main
69	PERI_MS_PPU_FX_DW0_DW_CRC	0x40280100	0x00000080	P-DMA0 CRC
70	PERI_MS_PPU_FX_DW1_DW_CRC	0x40290100	0x00000080	P-DMA1 CRC
71	PERI_MS_PPU_FX_DW0_CH_STRUCT0_CH	0x40288000	0x00000040	P-DMA0 Channel #0
72	PERI_MS_PPU_FX_DW0_CH_STRUCT1_CH	0x40288040	0x00000040	P-DMA0 Channel #1
73	PERI_MS_PPU_FX_DW0_CH_STRUCT2_CH	0x40288080	0x00000040	P-DMA0 Channel #2
74	PERI_MS_PPU_FX_DW0_CH_STRUCT3_CH	0x402880C0	0x00000040	P-DMA0 Channel #3
75	PERI_MS_PPU_FX_DW0_CH_STRUCT4_CH	0x40288100	0x00000040	P-DMA0 Channel #4
76	PERI_MS_PPU_FX_DW0_CH_STRUCT5_CH	0x40288140	0x00000040	P-DMA0 Channel #5

Table 22-1. PPU Fixed Structure Pairs (continued)

Pair No.	PPU Fixed Structure Pair	Address	Size	Description
77	PERI_MS_PPU_FX_DW0_CH_STRUCT6_CH	0x40288180	0x00000040	P-DMA0 Channel #6
78	PERI_MS_PPU_FX_DW0_CH_STRUCT7_CH	0x402881C0	0x00000040	P-DMA0 Channel #7
79	PERI_MS_PPU_FX_DW0_CH_STRUCT8_CH	0x40288200	0x00000040	P-DMA0 Channel #8
80	PERI_MS_PPU_FX_DW0_CH_STRUCT9_CH	0x40288240	0x00000040	P-DMA0 Channel #9
81	PERI_MS_PPU_FX_DW0_CH_STRUCT10_CH	0x40288280	0x00000040	P-DMA0 Channel #10
82	PERI_MS_PPU_FX_DW0_CH_STRUCT11_CH	0x402882C0	0x00000040	P-DMA0 Channel #11
83	PERI_MS_PPU_FX_DW0_CH_STRUCT12_CH	0x40288300	0x00000040	P-DMA0 Channel #12
84	PERI_MS_PPU_FX_DW0_CH_STRUCT13_CH	0x40288340	0x00000040	P-DMA0 Channel #13
85	PERI_MS_PPU_FX_DW0_CH_STRUCT14_CH	0x40288380	0x00000040	P-DMA0 Channel #14
86	PERI_MS_PPU_FX_DW0_CH_STRUCT15_CH	0x402883C0	0x00000040	P-DMA0 Channel #15
87	PERI_MS_PPU_FX_DW0_CH_STRUCT16_CH	0x40288400	0x00000040	P-DMA0 Channel #16
88	PERI_MS_PPU_FX_DW0_CH_STRUCT17_CH	0x40288440	0x00000040	P-DMA0 Channel #17
89	PERI_MS_PPU_FX_DW0_CH_STRUCT18_CH	0x40288480	0x00000040	P-DMA0 Channel #18
90	PERI_MS_PPU_FX_DW0_CH_STRUCT19_CH	0x402884C0	0x00000040	P-DMA0 Channel #19
91	PERI_MS_PPU_FX_DW0_CH_STRUCT20_CH	0x40288500	0x00000040	P-DMA0 Channel #20
92	PERI_MS_PPU_FX_DW0_CH_STRUCT21_CH	0x40288540	0x00000040	P-DMA0 Channel #21
93	PERI_MS_PPU_FX_DW0_CH_STRUCT22_CH	0x40288580	0x00000040	P-DMA0 Channel #22
94	PERI_MS_PPU_FX_DW0_CH_STRUCT23_CH	0x402885C0	0x00000040	P-DMA0 Channel #23
95	PERI_MS_PPU_FX_DW0_CH_STRUCT24_CH	0x40288600	0x00000040	P-DMA0 Channel #24
96	PERI_MS_PPU_FX_DW0_CH_STRUCT25_CH	0x40288640	0x00000040	P-DMA0 Channel #25
97	PERI_MS_PPU_FX_DW0_CH_STRUCT26_CH	0x40288680	0x00000040	P-DMA0 Channel #26
98	PERI_MS_PPU_FX_DW0_CH_STRUCT27_CH	0x402886C0	0x00000040	P-DMA0 Channel #27
99	PERI_MS_PPU_FX_DW0_CH_STRUCT28_CH	0x40288700	0x00000040	P-DMA0 Channel #28
100	PERI_MS_PPU_FX_DW0_CH_STRUCT29_CH	0x40288740	0x00000040	P-DMA0 Channel #29
101	PERI_MS_PPU_FX_DW0_CH_STRUCT30_CH	0x40288780	0x00000040	P-DMA0 Channel #30
102	PERI_MS_PPU_FX_DW0_CH_STRUCT31_CH	0x402887C0	0x00000040	P-DMA0 Channel #31
103	PERI_MS_PPU_FX_DW0_CH_STRUCT32_CH	0x40288800	0x00000040	P-DMA0 Channel #32
104	PERI_MS_PPU_FX_DW0_CH_STRUCT33_CH	0x40288840	0x00000040	P-DMA0 Channel #33
105	PERI_MS_PPU_FX_DW0_CH_STRUCT34_CH	0x40288880	0x00000040	P-DMA0 Channel #34
106	PERI_MS_PPU_FX_DW0_CH_STRUCT35_CH	0x402888C0	0x00000040	P-DMA0 Channel #35
107	PERI_MS_PPU_FX_DW0_CH_STRUCT36_CH	0x40288900	0x00000040	P-DMA0 Channel #36
108	PERI_MS_PPU_FX_DW0_CH_STRUCT37_CH	0x40288940	0x00000040	P-DMA0 Channel #37
109	PERI_MS_PPU_FX_DW0_CH_STRUCT38_CH	0x40288980	0x00000040	P-DMA0 Channel #38
110	PERI_MS_PPU_FX_DW0_CH_STRUCT39_CH	0x402889C0	0x00000040	P-DMA0 Channel #39
111	PERI_MS_PPU_FX_DW0_CH_STRUCT40_CH	0x40288A00	0x00000040	P-DMA0 Channel #40
112	PERI_MS_PPU_FX_DW0_CH_STRUCT41_CH	0x40288A40	0x00000040	P-DMA0 Channel #41
113	PERI_MS_PPU_FX_DW0_CH_STRUCT42_CH	0x40288A80	0x00000040	P-DMA0 Channel #42
114	PERI_MS_PPU_FX_DW0_CH_STRUCT43_CH	0x40288AC0	0x00000040	P-DMA0 Channel #43
115	PERI_MS_PPU_FX_DW0_CH_STRUCT44_CH	0x40288B00	0x00000040	P-DMA0 Channel #44
116	PERI_MS_PPU_FX_DW0_CH_STRUCT45_CH	0x40288B40	0x00000040	P-DMA0 Channel #45
117	PERI_MS_PPU_FX_DW0_CH_STRUCT46_CH	0x40288B80	0x00000040	P-DMA0 Channel #46

Table 22-1. PPU Fixed Structure Pairs (continued)

Pair No.	PPU Fixed Structure Pair	Address	Size	Description
118	PERI_MS_PPU_FX_DW0_CH_STRUCT47_CH	0x40288BC0	0x00000040	P-DMA0 Channel #47
119	PERI_MS_PPU_FX_DW0_CH_STRUCT48_CH	0x40288C00	0x00000040	P-DMA0 Channel #48
120	PERI_MS_PPU_FX_DW0_CH_STRUCT49_CH	0x40288C40	0x00000040	P-DMA0 Channel #49
121	PERI_MS_PPU_FX_DW0_CH_STRUCT50_CH	0x40288C80	0x00000040	P-DMA0 Channel #50
122	PERI_MS_PPU_FX_DW0_CH_STRUCT51_CH	0x40288CC0	0x00000040	P-DMA0 Channel #51
123	PERI_MS_PPU_FX_DW0_CH_STRUCT52_CH	0x40288D00	0x00000040	P-DMA0 Channel #52
124	PERI_MS_PPU_FX_DW0_CH_STRUCT53_CH	0x40288D40	0x00000040	P-DMA0 Channel #53
125	PERI_MS_PPU_FX_DW0_CH_STRUCT54_CH	0x40288D80	0x00000040	P-DMA0 Channel #54
126	PERI_MS_PPU_FX_DW0_CH_STRUCT55_CH	0x40288DC0	0x00000040	P-DMA0 Channel #55
127	PERI_MS_PPU_FX_DW0_CH_STRUCT56_CH	0x40288E00	0x00000040	P-DMA0 Channel #56
128	PERI_MS_PPU_FX_DW0_CH_STRUCT57_CH	0x40288E40	0x00000040	P-DMA0 Channel #57
129	PERI_MS_PPU_FX_DW0_CH_STRUCT58_CH	0x40288E80	0x00000040	P-DMA0 Channel #58
130	PERI_MS_PPU_FX_DW0_CH_STRUCT59_CH	0x40288EC0	0x00000040	P-DMA0 Channel #59
131	PERI_MS_PPU_FX_DW0_CH_STRUCT60_CH	0x40288F00	0x00000040	P-DMA0 Channel #60
132	PERI_MS_PPU_FX_DW0_CH_STRUCT61_CH	0x40288F40	0x00000040	P-DMA0 Channel #61
133	PERI_MS_PPU_FX_DW0_CH_STRUCT62_CH	0x40288F80	0x00000040	P-DMA0 Channel #62
134	PERI_MS_PPU_FX_DW0_CH_STRUCT63_CH	0x40288FC0	0x00000040	P-DMA0 Channel #63
135	PERI_MS_PPU_FX_DW0_CH_STRUCT64_CH	0x40289000	0x00000040	P-DMA0 Channel #64
136	PERI_MS_PPU_FX_DW0_CH_STRUCT65_CH	0x40289040	0x00000040	P-DMA0 Channel #65
137	PERI_MS_PPU_FX_DW0_CH_STRUCT66_CH	0x40289080	0x00000040	P-DMA0 Channel #66
138	PERI_MS_PPU_FX_DW0_CH_STRUCT67_CH	0x402890C0	0x00000040	P-DMA0 Channel #67
139	PERI_MS_PPU_FX_DW0_CH_STRUCT68_CH	0x40289100	0x00000040	P-DMA0 Channel #68
140	PERI_MS_PPU_FX_DW0_CH_STRUCT69_CH	0x40289140	0x00000040	P-DMA0 Channel #69
141	PERI_MS_PPU_FX_DW0_CH_STRUCT70_CH	0x40289180	0x00000040	P-DMA0 Channel #70
142	PERI_MS_PPU_FX_DW0_CH_STRUCT71_CH	0x402891C0	0x00000040	P-DMA0 Channel #71
143	PERI_MS_PPU_FX_DW0_CH_STRUCT72_CH	0x40289200	0x00000040	P-DMA0 Channel #72
144	PERI_MS_PPU_FX_DW0_CH_STRUCT73_CH	0x40289240	0x00000040	P-DMA0 Channel #73
145	PERI_MS_PPU_FX_DW0_CH_STRUCT74_CH	0x40289280	0x00000040	P-DMA0 Channel #74
146	PERI_MS_PPU_FX_DW0_CH_STRUCT75_CH	0x402892C0	0x00000040	P-DMA0 Channel #75
147	PERI_MS_PPU_FX_DW0_CH_STRUCT76_CH	0x40289300	0x00000040	P-DMA0 Channel #76
148	PERI_MS_PPU_FX_DW0_CH_STRUCT77_CH	0x40289340	0x00000040	P-DMA0 Channel #77
149	PERI_MS_PPU_FX_DW0_CH_STRUCT78_CH	0x40289380	0x00000040	P-DMA0 Channel #78
150	PERI_MS_PPU_FX_DW0_CH_STRUCT79_CH	0x402893C0	0x00000040	P-DMA0 Channel #79
151	PERI_MS_PPU_FX_DW0_CH_STRUCT80_CH	0x40289400	0x00000040	P-DMA0 Channel #80
152	PERI_MS_PPU_FX_DW0_CH_STRUCT81_CH	0x40289440	0x00000040	P-DMA0 Channel #81
153	PERI_MS_PPU_FX_DW0_CH_STRUCT82_CH	0x40289480	0x00000040	P-DMA0 Channel #82
154	PERI_MS_PPU_FX_DW0_CH_STRUCT83_CH	0x402894C0	0x00000040	P-DMA0 Channel #83
155	PERI_MS_PPU_FX_DW0_CH_STRUCT84_CH	0x40289500	0x00000040	P-DMA0 Channel #84
156	PERI_MS_PPU_FX_DW0_CH_STRUCT85_CH	0x40289540	0x00000040	P-DMA0 Channel #85
157	PERI_MS_PPU_FX_DW0_CH_STRUCT86_CH	0x40289580	0x00000040	P-DMA0 Channel #86
158	PERI_MS_PPU_FX_DW0_CH_STRUCT87_CH	0x402895C0	0x00000040	P-DMA0 Channel #87

Table 22-1. PPU Fixed Structure Pairs (continued)

Pair No.	PPU Fixed Structure Pair	Address	Size	Description
159	PERI_MS_PPU_FX_DW0_CH_STRUCT88_CH	0x40289600	0x00000040	P-DMA0 Channel #88
160	PERI_MS_PPU_FX_DW1_CH_STRUCT0_CH	0x40298000	0x00000040	P-DMA1 Channel #0
161	PERI_MS_PPU_FX_DW1_CH_STRUCT1_CH	0x40298040	0x00000040	P-DMA1 Channel #1
162	PERI_MS_PPU_FX_DW1_CH_STRUCT2_CH	0x40298080	0x00000040	P-DMA1 Channel #2
163	PERI_MS_PPU_FX_DW1_CH_STRUCT3_CH	0x402980C0	0x00000040	P-DMA1 Channel #3
164	PERI_MS_PPU_FX_DW1_CH_STRUCT4_CH	0x40298100	0x00000040	P-DMA1 Channel #4
165	PERI_MS_PPU_FX_DW1_CH_STRUCT5_CH	0x40298140	0x00000040	P-DMA1 Channel #5
166	PERI_MS_PPU_FX_DW1_CH_STRUCT6_CH	0x40298180	0x00000040	P-DMA1 Channel #6
167	PERI_MS_PPU_FX_DW1_CH_STRUCT7_CH	0x402981C0	0x00000040	P-DMA1 Channel #7
168	PERI_MS_PPU_FX_DW1_CH_STRUCT8_CH	0x40298200	0x00000040	P-DMA1 Channel #8
169	PERI_MS_PPU_FX_DW1_CH_STRUCT9_CH	0x40298240	0x00000040	P-DMA1 Channel #9
170	PERI_MS_PPU_FX_DW1_CH_STRUCT10_CH	0x40298280	0x00000040	P-DMA1 Channel #10
171	PERI_MS_PPU_FX_DW1_CH_STRUCT11_CH	0x402982C0	0x00000040	P-DMA1 Channel #11
172	PERI_MS_PPU_FX_DW1_CH_STRUCT12_CH	0x40298300	0x00000040	P-DMA1 Channel #12
173	PERI_MS_PPU_FX_DW1_CH_STRUCT13_CH	0x40298340	0x00000040	P-DMA1 Channel #13
174	PERI_MS_PPU_FX_DW1_CH_STRUCT14_CH	0x40298380	0x00000040	P-DMA1 Channel #14
175	PERI_MS_PPU_FX_DW1_CH_STRUCT15_CH	0x402983C0	0x00000040	P-DMA1 Channel #15
176	PERI_MS_PPU_FX_DW1_CH_STRUCT16_CH	0x40298400	0x00000040	P-DMA1 Channel #16
177	PERI_MS_PPU_FX_DW1_CH_STRUCT17_CH	0x40298440	0x00000040	P-DMA1 Channel #17
178	PERI_MS_PPU_FX_DW1_CH_STRUCT18_CH	0x40298480	0x00000040	P-DMA1 Channel #18
179	PERI_MS_PPU_FX_DW1_CH_STRUCT19_CH	0x402984C0	0x00000040	P-DMA1 Channel #19
180	PERI_MS_PPU_FX_DW1_CH_STRUCT20_CH	0x40298500	0x00000040	P-DMA1 Channel #20
181	PERI_MS_PPU_FX_DW1_CH_STRUCT21_CH	0x40298540	0x00000040	P-DMA1 Channel #21
182	PERI_MS_PPU_FX_DW1_CH_STRUCT22_CH	0x40298580	0x00000040	P-DMA1 Channel #22
183	PERI_MS_PPU_FX_DW1_CH_STRUCT23_CH	0x402985C0	0x00000040	P-DMA1 Channel #23
184	PERI_MS_PPU_FX_DW1_CH_STRUCT24_CH	0x40298600	0x00000040	P-DMA1 Channel #24
185	PERI_MS_PPU_FX_DW1_CH_STRUCT25_CH	0x40298640	0x00000040	P-DMA1 Channel #25
186	PERI_MS_PPU_FX_DW1_CH_STRUCT26_CH	0x40298680	0x00000040	P-DMA1 Channel #26
187	PERI_MS_PPU_FX_DW1_CH_STRUCT27_CH	0x402986C0	0x00000040	P-DMA1 Channel #27
188	PERI_MS_PPU_FX_DW1_CH_STRUCT28_CH	0x40298700	0x00000040	P-DMA1 Channel #28
189	PERI_MS_PPU_FX_DW1_CH_STRUCT29_CH	0x40298740	0x00000040	P-DMA1 Channel #29
190	PERI_MS_PPU_FX_DW1_CH_STRUCT30_CH	0x40298780	0x00000040	P-DMA1 Channel #30
191	PERI_MS_PPU_FX_DW1_CH_STRUCT31_CH	0x402987C0	0x00000040	P-DMA1 Channel #31
192	PERI_MS_PPU_FX_DW1_CH_STRUCT32_CH	0x40298800	0x00000040	P-DMA1 Channel #32
193	PERI_MS_PPU_FX_DMAC_TOP	0x402A0000	0x00000010	M-DMA0 main
194	PERI_MS_PPU_FX_DMAC_CH0_CH	0x402A1000	0x00000100	M-DMA0 Channel #0
195	PERI_MS_PPU_FX_DMAC_CH1_CH	0x402A1100	0x00000100	M-DMA0 Channel #1
196	PERI_MS_PPU_FX_DMAC_CH2_CH	0x402A1200	0x00000100	M-DMA0 Channel #2
197	PERI_MS_PPU_FX_DMAC_CH3_CH	0x402A1300	0x00000100	M-DMA0 Channel #3
198	PERI_MS_PPU_FX_EFUSE_CTL	0x402C0000	0x00000200	EFUSE control
199	PERI_MS_PPU_FX_EFUSE_DATA	0x402C0800	0x00000200	EFUSE data

Table 22-1. PPU Fixed Structure Pairs (continued)

Pair No.	PPU Fixed Structure Pair	Address	Size	Description
200	PERI_MS_PPU_FX_BIST	0x402F0000	0x00001000	Built-in self test
201	PERI_MS_PPU_FX_HSIOM_PRT0_PRT	0x40300000	0x00000008	HSIOm Port #0
202	PERI_MS_PPU_FX_HSIOM_PRT1_PRT	0x40300010	0x00000008	HSIOm Port #1
203	PERI_MS_PPU_FX_HSIOM_PRT2_PRT	0x40300020	0x00000008	HSIOm Port #2
204	PERI_MS_PPU_FX_HSIOM_PRT3_PRT	0x40300030	0x00000008	HSIOm Port #3
205	PERI_MS_PPU_FX_HSIOM_PRT4_PRT	0x40300040	0x00000008	HSIOm Port #4
206	PERI_MS_PPU_FX_HSIOM_PRT5_PRT	0x40300050	0x00000008	HSIOm Port #5
207	PERI_MS_PPU_FX_HSIOM_PRT6_PRT	0x40300060	0x00000008	HSIOm Port #6
208	PERI_MS_PPU_FX_HSIOM_PRT7_PRT	0x40300070	0x00000008	HSIOm Port #7
209	PERI_MS_PPU_FX_HSIOM_PRT8_PRT	0x40300080	0x00000008	HSIOm Port #8
210	PERI_MS_PPU_FX_HSIOM_PRT9_PRT	0x40300090	0x00000008	HSIOm Port #9
211	PERI_MS_PPU_FX_HSIOM_PRT10_PRT	0x403000A0	0x00000008	HSIOm Port #10
212	PERI_MS_PPU_FX_HSIOM_PRT11_PRT	0x403000B0	0x00000008	HSIOm Port #11
213	PERI_MS_PPU_FX_HSIOM_PRT12_PRT	0x403000C0	0x00000008	HSIOm Port #12
214	PERI_MS_PPU_FX_HSIOM_PRT13_PRT	0x403000D0	0x00000008	HSIOm Port #13
215	PERI_MS_PPU_FX_HSIOM_PRT14_PRT	0x403000E0	0x00000008	HSIOm Port #14
216	PERI_MS_PPU_FX_HSIOM_PRT15_PRT	0x403000F0	0x00000008	HSIOm Port #15
217	PERI_MS_PPU_FX_HSIOM_PRT16_PRT	0x40300100	0x00000008	HSIOm Port #16
218	PERI_MS_PPU_FX_HSIOM_PRT17_PRT	0x40300110	0x00000008	HSIOm Port #17
219	PERI_MS_PPU_FX_HSIOM_PRT18_PRT	0x40300120	0x00000008	HSIOm Port #18
220	PERI_MS_PPU_FX_HSIOM_PRT19_PRT	0x40300130	0x00000008	HSIOm Port #19
221	PERI_MS_PPU_FX_HSIOM_PRT20_PRT	0x40300140	0x00000008	HSIOm Port #20
222	PERI_MS_PPU_FX_HSIOM_PRT21_PRT	0x40300150	0x00000008	HSIOm Port #21
223	PERI_MS_PPU_FX_HSIOM_PRT22_PRT	0x40300160	0x00000008	HSIOm Port #22
224	PERI_MS_PPU_FX_HSIOM_PRT23_PRT	0x40300170	0x00000008	HSIOm Port #23
225	PERI_MS_PPU_FX_HSIOM_AMUX	0x40302000	0x00000010	HSIOm Analog multiplexer
226	PERI_MS_PPU_FX_HSIOM_MON	0x40302200	0x00000010	HSIOm monitor
227	PERI_MS_PPU_FX_HSIOM_ALTJTAG	0x40302240	0x00000004	HSIOm Alternate JTAG
228	PERI_MS_PPU_FX_GPIO_PRT0_PRT	0x40310000	0x00000040	GPIO_ENH Port #0
229	PERI_MS_PPU_FX_GPIO_PRT1_PRT	0x40310080	0x00000040	GPIO_STD Port #1
230	PERI_MS_PPU_FX_GPIO_PRT2_PRT	0x40310100	0x00000040	GPIO_STD Port #2
231	PERI_MS_PPU_FX_GPIO_PRT3_PRT	0x40310180	0x00000040	GPIO_STD Port #3
232	PERI_MS_PPU_FX_GPIO_PRT4_PRT	0x40310200	0x00000040	GPIO_STD Port #4
233	PERI_MS_PPU_FX_GPIO_PRT5_PRT	0x40310280	0x00000040	GPIO_STD Port #5
234	PERI_MS_PPU_FX_GPIO_PRT6_PRT	0x40310300	0x00000040	GPIO_STD Port #6
235	PERI_MS_PPU_FX_GPIO_PRT7_PRT	0x40310380	0x00000040	GPIO_STD Port #7
236	PERI_MS_PPU_FX_GPIO_PRT8_PRT	0x40310400	0x00000040	GPIO_STD Port #8
237	PERI_MS_PPU_FX_GPIO_PRT9_PRT	0x40310480	0x00000040	GPIO_STD Port #9
238	PERI_MS_PPU_FX_GPIO_PRT10_PRT	0x40310500	0x00000040	GPIO_STD Port #10
239	PERI_MS_PPU_FX_GPIO_PRT11_PRT	0x40310580	0x00000040	GPIO_STD Port #11
240	PERI_MS_PPU_FX_GPIO_PRT12_PRT	0x40310600	0x00000040	GPIO_STD Port #12

Table 22-1. PPU Fixed Structure Pairs (continued)

Pair No.	PPU Fixed Structure Pair	Address	Size	Description
241	PERI_MS_PPU_FX_GPIO_PRT13_PRT	0x40310680	0x00000040	GPIO_STD Port #13
242	PERI_MS_PPU_FX_GPIO_PRT14_PRT	0x40310700	0x00000040	GPIO_STD Port #14
243	PERI_MS_PPU_FX_GPIO_PRT15_PRT	0x40310780	0x00000040	GPIO_STD Port #15
244	PERI_MS_PPU_FX_GPIO_PRT16_PRT	0x40310800	0x00000040	GPIO_STD Port #16
245	PERI_MS_PPU_FX_GPIO_PRT17_PRT	0x40310880	0x00000040	GPIO_STD Port #17
246	PERI_MS_PPU_FX_GPIO_PRT18_PRT	0x40310900	0x00000040	GPIO_STD Port #18
247	PERI_MS_PPU_FX_GPIO_PRT19_PRT	0x40310980	0x00000040	GPIO_STD Port #19
248	PERI_MS_PPU_FX_GPIO_PRT20_PRT	0x40310A00	0x00000040	GPIO_STD Port #20
249	PERI_MS_PPU_FX_GPIO_PRT21_PRT	0x40310A80	0x00000040	GPIO_STD Port #21
250	PERI_MS_PPU_FX_GPIO_PRT22_PRT	0x40310B00	0x00000040	GPIO_STD Port #22
251	PERI_MS_PPU_FX_GPIO_PRT23_PRT	0x40310B80	0x00000040	GPIO_STD Port #23
252	PERI_MS_PPU_FX_GPIO_PRT0_CFG	0x40310040	0x00000020	GPIO_ENH Port #0 configuration
253	PERI_MS_PPU_FX_GPIO_PRT1_CFG	0x403100C0	0x00000020	GPIO_STD Port #1 configuration
254	PERI_MS_PPU_FX_GPIO_PRT2_CFG	0x40310140	0x00000020	GPIO_STD Port #2 configuration
255	PERI_MS_PPU_FX_GPIO_PRT3_CFG	0x403101C0	0x00000020	GPIO_STD Port #3 configuration
256	PERI_MS_PPU_FX_GPIO_PRT4_CFG	0x40310240	0x00000020	GPIO_STD Port #4 configuration
257	PERI_MS_PPU_FX_GPIO_PRT5_CFG	0x403102C0	0x00000020	GPIO_STD Port #5 configuration
258	PERI_MS_PPU_FX_GPIO_PRT6_CFG	0x40310340	0x00000020	GPIO_STD Port #6 configuration
259	PERI_MS_PPU_FX_GPIO_PRT7_CFG	0x403103C0	0x00000020	GPIO_STD Port #7 configuration
260	PERI_MS_PPU_FX_GPIO_PRT8_CFG	0x40310440	0x00000020	GPIO_STD Port #8 configuration
261	PERI_MS_PPU_FX_GPIO_PRT9_CFG	0x403104C0	0x00000020	GPIO_STD Port #9 configuration
262	PERI_MS_PPU_FX_GPIO_PRT10_CFG	0x40310540	0x00000020	GPIO_STD Port #10 configuration
263	PERI_MS_PPU_FX_GPIO_PRT11_CFG	0x403105C0	0x00000020	GPIO_STD Port #11 configuration
264	PERI_MS_PPU_FX_GPIO_PRT12_CFG	0x40310640	0x00000020	GPIO_STD Port #12 configuration
265	PERI_MS_PPU_FX_GPIO_PRT13_CFG	0x403106C0	0x00000020	GPIO_STD Port #13 configuration
266	PERI_MS_PPU_FX_GPIO_PRT14_CFG	0x40310740	0x00000020	GPIO_STD Port #14 configuration
267	PERI_MS_PPU_FX_GPIO_PRT15_CFG	0x403107C0	0x00000020	GPIO_STD Port #15 configuration
268	PERI_MS_PPU_FX_GPIO_PRT16_CFG	0x40310840	0x00000020	GPIO_STD Port #16 configuration
269	PERI_MS_PPU_FX_GPIO_PRT17_CFG	0x403108C0	0x00000020	GPIO_STD Port #17 configuration
270	PERI_MS_PPU_FX_GPIO_PRT18_CFG	0x40310940	0x00000020	GPIO_STD Port #18 configuration
271	PERI_MS_PPU_FX_GPIO_PRT19_CFG	0x403109C0	0x00000020	GPIO_STD Port #19 configuration
272	PERI_MS_PPU_FX_GPIO_PRT20_CFG	0x40310A40	0x00000020	GPIO_STD Port #20 configuration
273	PERI_MS_PPU_FX_GPIO_PRT21_CFG	0x40310AC0	0x00000020	GPIO_STD Port #21 configuration
274	PERI_MS_PPU_FX_GPIO_PRT22_CFG	0x40310B40	0x00000020	GPIO_STD Port #22 configuration
275	PERI_MS_PPU_FX_GPIO_PRT23_CFG	0x40310BC0	0x00000020	GPIO_STD Port #23 configuration
276	PERI_MS_PPU_FX_GPIO_GPIO	0x40314000	0x00000040	GPIO main
277	PERI_MS_PPU_FX_GPIO_TEST	0x40315000	0x00000008	GPIO test
278	PERI_MS_PPU_FX_SMARTIO_PRT12_PRT	0x40320C00	0x00000100	SMART I/O #12
279	PERI_MS_PPU_FX_SMARTIO_PRT13_PRT	0x40320D00	0x00000100	SMART I/O #13
280	PERI_MS_PPU_FX_SMARTIO_PRT14_PRT	0x40320E00	0x00000100	SMART I/O #14
281	PERI_MS_PPU_FX_SMARTIO_PRT15_PRT	0x40320F00	0x00000100	SMART I/O #15

Table 22-1. PPU Fixed Structure Pairs (continued)

Pair No.	PPU Fixed Structure Pair	Address	Size	Description
282	PERI_MS_PPU_FX_SMARTIO_PRT17_PRT	0x40321100	0x00000100	SMART I/O #17
283	PERI_MS_PPU_FX_TCPWM0_GRP0_CNT0_CNT	0x40380000	0x00000080	TCPWM0 Group #0, Counter #0
284	PERI_MS_PPU_FX_TCPWM0_GRP0_CNT1_CNT	0x40380080	0x00000080	TCPWM0 Group #0, Counter #1
285	PERI_MS_PPU_FX_TCPWM0_GRP0_CNT2_CNT	0x40380100	0x00000080	TCPWM0 Group #0, Counter #2
286	PERI_MS_PPU_FX_TCPWM0_GRP0_CNT3_CNT	0x40380180	0x00000080	TCPWM0 Group #0, Counter #3
287	PERI_MS_PPU_FX_TCPWM0_GRP0_CNT4_CNT	0x40380200	0x00000080	TCPWM0 Group #0, Counter #4
288	PERI_MS_PPU_FX_TCPWM0_GRP0_CNT5_CNT	0x40380280	0x00000080	TCPWM0 Group #0, Counter #5
289	PERI_MS_PPU_FX_TCPWM0_GRP0_CNT6_CNT	0x40380300	0x00000080	TCPWM0 Group #0, Counter #6
290	PERI_MS_PPU_FX_TCPWM0_GRP0_CNT7_CNT	0x40380380	0x00000080	TCPWM0 Group #0, Counter #7
291	PERI_MS_PPU_FX_TCPWM0_GRP0_CNT8_CNT	0x40380400	0x00000080	TCPWM0 Group #0, Counter #8
292	PERI_MS_PPU_FX_TCPWM0_GRP0_CNT9_CNT	0x40380480	0x00000080	TCPWM0 Group #0, Counter #9
293	PERI_MS_PPU_FX_TCPWM0_GRP0_CNT10_CNT	0x40380500	0x00000080	TCPWM0 Group #0, Counter #10
294	PERI_MS_PPU_FX_TCPWM0_GRP0_CNT11_CNT	0x40380580	0x00000080	TCPWM0 Group #0, Counter #11
295	PERI_MS_PPU_FX_TCPWM0_GRP0_CNT12_CNT	0x40380600	0x00000080	TCPWM0 Group #0, Counter #12
296	PERI_MS_PPU_FX_TCPWM0_GRP0_CNT13_CNT	0x40380680	0x00000080	TCPWM0 Group #0, Counter #13
297	PERI_MS_PPU_FX_TCPWM0_GRP0_CNT14_CNT	0x40380700	0x00000080	TCPWM0 Group #0, Counter #14
298	PERI_MS_PPU_FX_TCPWM0_GRP0_CNT15_CNT	0x40380780	0x00000080	TCPWM0 Group #0, Counter #15
299	PERI_MS_PPU_FX_TCPWM0_GRP0_CNT16_CNT	0x40380800	0x00000080	TCPWM0 Group #0, Counter #16
300	PERI_MS_PPU_FX_TCPWM0_GRP0_CNT17_CNT	0x40380880	0x00000080	TCPWM0 Group #0, Counter #17
301	PERI_MS_PPU_FX_TCPWM0_GRP0_CNT18_CNT	0x40380900	0x00000080	TCPWM0 Group #0, Counter #18
302	PERI_MS_PPU_FX_TCPWM0_GRP0_CNT19_CNT	0x40380980	0x00000080	TCPWM0 Group #0, Counter #19
303	PERI_MS_PPU_FX_TCPWM0_GRP0_CNT20_CNT	0x40380A00	0x00000080	TCPWM0 Group #0, Counter #20
304	PERI_MS_PPU_FX_TCPWM0_GRP0_CNT21_CNT	0x40380A80	0x00000080	TCPWM0 Group #0, Counter #21
305	PERI_MS_PPU_FX_TCPWM0_GRP0_CNT22_CNT	0x40380B00	0x00000080	TCPWM0 Group #0, Counter #22
306	PERI_MS_PPU_FX_TCPWM0_GRP0_CNT23_CNT	0x40380B80	0x00000080	TCPWM0 Group #0, Counter #23
307	PERI_MS_PPU_FX_TCPWM0_GRP0_CNT24_CNT	0x40380C00	0x00000080	TCPWM0 Group #0, Counter #24
308	PERI_MS_PPU_FX_TCPWM0_GRP0_CNT25_CNT	0x40380C80	0x00000080	TCPWM0 Group #0, Counter #25
309	PERI_MS_PPU_FX_TCPWM0_GRP0_CNT26_CNT	0x40380D00	0x00000080	TCPWM0 Group #0, Counter #26
310	PERI_MS_PPU_FX_TCPWM0_GRP0_CNT27_CNT	0x40380D80	0x00000080	TCPWM0 Group #0, Counter #27
311	PERI_MS_PPU_FX_TCPWM0_GRP0_CNT28_CNT	0x40380E00	0x00000080	TCPWM0 Group #0, Counter #28
312	PERI_MS_PPU_FX_TCPWM0_GRP0_CNT29_CNT	0x40380E80	0x00000080	TCPWM0 Group #0, Counter #29
313	PERI_MS_PPU_FX_TCPWM0_GRP0_CNT30_CNT	0x40380F00	0x00000080	TCPWM0 Group #0, Counter #30
314	PERI_MS_PPU_FX_TCPWM0_GRP0_CNT31_CNT	0x40380F80	0x00000080	TCPWM0 Group #0, Counter #31
315	PERI_MS_PPU_FX_TCPWM0_GRP0_CNT32_CNT	0x40381000	0x00000080	TCPWM0 Group #0, Counter #32
316	PERI_MS_PPU_FX_TCPWM0_GRP0_CNT33_CNT	0x40381080	0x00000080	TCPWM0 Group #0, Counter #33
317	PERI_MS_PPU_FX_TCPWM0_GRP0_CNT34_CNT	0x40381100	0x00000080	TCPWM0 Group #0, Counter #34
318	PERI_MS_PPU_FX_TCPWM0_GRP0_CNT35_CNT	0x40381180	0x00000080	TCPWM0 Group #0, Counter #35
319	PERI_MS_PPU_FX_TCPWM0_GRP0_CNT36_CNT	0x40381200	0x00000080	TCPWM0 Group #0, Counter #36
320	PERI_MS_PPU_FX_TCPWM0_GRP0_CNT37_CNT	0x40381280	0x00000080	TCPWM0 Group #0, Counter #37
321	PERI_MS_PPU_FX_TCPWM0_GRP0_CNT38_CNT	0x40381300	0x00000080	TCPWM0 Group #0, Counter #38
322	PERI_MS_PPU_FX_TCPWM0_GRP0_CNT39_CNT	0x40381380	0x00000080	TCPWM0 Group #0, Counter #39

Table 22-1. PPU Fixed Structure Pairs (continued)

Pair No.	PPU Fixed Structure Pair	Address	Size	Description
323	PERI_MS_PPU_FX_TCPWM0_GRP0_CNT40_CNT	0x40381400	0x00000080	TCPWM0 Group #0, Counter #40
324	PERI_MS_PPU_FX_TCPWM0_GRP0_CNT41_CNT	0x40381480	0x00000080	TCPWM0 Group #0, Counter #41
325	PERI_MS_PPU_FX_TCPWM0_GRP0_CNT42_CNT	0x40381500	0x00000080	TCPWM0 Group #0, Counter #42
326	PERI_MS_PPU_FX_TCPWM0_GRP0_CNT43_CNT	0x40381580	0x00000080	TCPWM0 Group #0, Counter #43
327	PERI_MS_PPU_FX_TCPWM0_GRP0_CNT44_CNT	0x40381600	0x00000080	TCPWM0 Group #0, Counter #44
328	PERI_MS_PPU_FX_TCPWM0_GRP0_CNT45_CNT	0x40381680	0x00000080	TCPWM0 Group #0, Counter #45
329	PERI_MS_PPU_FX_TCPWM0_GRP0_CNT46_CNT	0x40381700	0x00000080	TCPWM0 Group #0, Counter #46
330	PERI_MS_PPU_FX_TCPWM0_GRP0_CNT47_CNT	0x40381780	0x00000080	TCPWM0 Group #0, Counter #47
331	PERI_MS_PPU_FX_TCPWM0_GRP0_CNT48_CNT	0x40381800	0x00000080	TCPWM0 Group #0, Counter #48
332	PERI_MS_PPU_FX_TCPWM0_GRP0_CNT49_CNT	0x40381880	0x00000080	TCPWM0 Group #0, Counter #49
333	PERI_MS_PPU_FX_TCPWM0_GRP0_CNT50_CNT	0x40381900	0x00000080	TCPWM0 Group #0, Counter #50
334	PERI_MS_PPU_FX_TCPWM0_GRP0_CNT51_CNT	0x40381980	0x00000080	TCPWM0 Group #0, Counter #51
335	PERI_MS_PPU_FX_TCPWM0_GRP0_CNT52_CNT	0x40381A00	0x00000080	TCPWM0 Group #0, Counter #52
336	PERI_MS_PPU_FX_TCPWM0_GRP0_CNT53_CNT	0x40381A80	0x00000080	TCPWM0 Group #0, Counter #53
337	PERI_MS_PPU_FX_TCPWM0_GRP0_CNT54_CNT	0x40381B00	0x00000080	TCPWM0 Group #0, Counter #54
338	PERI_MS_PPU_FX_TCPWM0_GRP0_CNT55_CNT	0x40381B80	0x00000080	TCPWM0 Group #0, Counter #55
339	PERI_MS_PPU_FX_TCPWM0_GRP0_CNT56_CNT	0x40381C00	0x00000080	TCPWM0 Group #0, Counter #56
340	PERI_MS_PPU_FX_TCPWM0_GRP0_CNT57_CNT	0x40381C80	0x00000080	TCPWM0 Group #0, Counter #57
341	PERI_MS_PPU_FX_TCPWM0_GRP0_CNT58_CNT	0x40381D00	0x00000080	TCPWM0 Group #0, Counter #58
342	PERI_MS_PPU_FX_TCPWM0_GRP0_CNT59_CNT	0x40381D80	0x00000080	TCPWM0 Group #0, Counter #59
343	PERI_MS_PPU_FX_TCPWM0_GRP0_CNT60_CNT	0x40381E00	0x00000080	TCPWM0 Group #0, Counter #60
344	PERI_MS_PPU_FX_TCPWM0_GRP0_CNT61_CNT	0x40381E80	0x00000080	TCPWM0 Group #0, Counter #61
345	PERI_MS_PPU_FX_TCPWM0_GRP0_CNT62_CNT	0x40381F00	0x00000080	TCPWM0 Group #0, Counter #62
346	PERI_MS_PPU_FX_TCPWM0_GRP1_CNT0_CNT	0x40388000	0x00000080	TCPWM0 Group #1, Counter #0
347	PERI_MS_PPU_FX_TCPWM0_GRP1_CNT1_CNT	0x40388080	0x00000080	TCPWM0 Group #1, Counter #1
348	PERI_MS_PPU_FX_TCPWM0_GRP1_CNT2_CNT	0x40388100	0x00000080	TCPWM0 Group #1, Counter #2
349	PERI_MS_PPU_FX_TCPWM0_GRP1_CNT3_CNT	0x40388180	0x00000080	TCPWM0 Group #1, Counter #3
350	PERI_MS_PPU_FX_TCPWM0_GRP1_CNT4_CNT	0x40388200	0x00000080	TCPWM0 Group #1, Counter #4
351	PERI_MS_PPU_FX_TCPWM0_GRP1_CNT5_CNT	0x40388280	0x00000080	TCPWM0 Group #1, Counter #5
352	PERI_MS_PPU_FX_TCPWM0_GRP1_CNT6_CNT	0x40388300	0x00000080	TCPWM0 Group #1, Counter #6
353	PERI_MS_PPU_FX_TCPWM0_GRP1_CNT7_CNT	0x40388380	0x00000080	TCPWM0 Group #1, Counter #7
354	PERI_MS_PPU_FX_TCPWM0_GRP1_CNT8_CNT	0x40388400	0x00000080	TCPWM0 Group #1, Counter #8
355	PERI_MS_PPU_FX_TCPWM0_GRP1_CNT9_CNT	0x40388480	0x00000080	TCPWM0 Group #1, Counter #9
356	PERI_MS_PPU_FX_TCPWM0_GRP1_CNT10_CNT	0x40388500	0x00000080	TCPWM0 Group #1, Counter #10
357	PERI_MS_PPU_FX_TCPWM0_GRP1_CNT11_CNT	0x40388580	0x00000080	TCPWM0 Group #1, Counter #11
358	PERI_MS_PPU_FX_TCPWM0_GRP2_CNT0_CNT	0x40390000	0x00000080	TCPWM0 Group #2, Counter #0
359	PERI_MS_PPU_FX_TCPWM0_GRP2_CNT1_CNT	0x40390080	0x00000080	TCPWM0 Group #2, Counter #1
360	PERI_MS_PPU_FX_TCPWM0_GRP2_CNT2_CNT	0x40390100	0x00000080	TCPWM0 Group #2, Counter #2
361	PERI_MS_PPU_FX_TCPWM0_GRP2_CNT3_CNT	0x40390180	0x00000080	TCPWM0 Group #2, Counter #3
362	PERI_MS_PPU_FX_EVTGEN0	0x403F0000	0x00001000	Event generator #0
363	PERI_MS_PPU_FX_LIN0_MAIN	0x40500000	0x00000008	LIN0, main

Table 22-1. PPU Fixed Structure Pairs (continued)

Pair No.	PPU Fixed Structure Pair	Address	Size	Description
364	PERI_MS_PPU_FX_LIN0_CH0_CH	0x40508000	0x00000100	LIN0, Channel #0
365	PERI_MS_PPU_FX_LIN0_CH1_CH	0x40508100	0x00000100	LIN0, Channel #1
366	PERI_MS_PPU_FX_LIN0_CH2_CH	0x40508200	0x00000100	LIN0, Channel #2
367	PERI_MS_PPU_FX_LIN0_CH3_CH	0x40508300	0x00000100	LIN0, Channel #3
368	PERI_MS_PPU_FX_LIN0_CH4_CH	0x40508400	0x00000100	LIN0, Channel #4
369	PERI_MS_PPU_FX_LIN0_CH5_CH	0x40508500	0x00000100	LIN0, Channel #5
370	PERI_MS_PPU_FX_LIN0_CH6_CH	0x40508600	0x00000100	LIN0, Channel #6
371	PERI_MS_PPU_FX_LIN0_CH7_CH	0x40508700	0x00000100	LIN0, Channel #7
372	PERI_MS_PPU_FX_CANFD0_CH0_CH	0x40520000	0x00000200	CAN0, Channel #0
373	PERI_MS_PPU_FX_CANFD0_CH1_CH	0x40520200	0x00000200	CAN0, Channel #1
374	PERI_MS_PPU_FX_CANFD0_CH2_CH	0x40520400	0x00000200	CAN0, Channel #2
375	PERI_MS_PPU_FX_CANFD1_CH0_CH	0x40540000	0x00000200	CAN1, Channel #0
376	PERI_MS_PPU_FX_CANFD1_CH1_CH	0x40540200	0x00000200	CAN1, Channel #1
377	PERI_MS_PPU_FX_CANFD1_CH2_CH	0x40540400	0x00000200	CAN1, Channel #2
378	PERI_MS_PPU_FX_CANFD0_MAIN	0x40521000	0x00000100	CAN0 main
379	PERI_MS_PPU_FX_CANFD1_MAIN	0x40541000	0x00000100	CAN1 main
380	PERI_MS_PPU_FX_CANFD0_BUF	0x40530000	0x00010000	CAN0 buffer
381	PERI_MS_PPU_FX_CANFD1_BUF	0x40550000	0x00010000	CAN1 buffer
382	PERI_MS_PPU_FX_SCB0	0x40600000	0x00010000	SCB0
383	PERI_MS_PPU_FX_SCB1	0x40610000	0x00010000	SCB1
384	PERI_MS_PPU_FX_SCB2	0x40620000	0x00010000	SCB2
385	PERI_MS_PPU_FX_SCB3	0x40630000	0x00010000	SCB3
386	PERI_MS_PPU_FX_SCB4	0x40640000	0x00010000	SCB4
387	PERI_MS_PPU_FX_SCB5	0x40650000	0x00010000	SCB5
388	PERI_MS_PPU_FX_SCB6	0x40660000	0x00010000	SCB6
389	PERI_MS_PPU_FX_SCB7	0x40670000	0x00010000	SCB7
390	PERI_MS_PPU_FX_PASS0_SAR0_SAR	0x40900000	0x00000400	PASS SAR0
391	PERI_MS_PPU_FX_PASS0_SAR1_SAR	0x40901000	0x00000400	PASS SAR1
392	PERI_MS_PPU_FX_PASS0_SAR2_SAR	0x40902000	0x00000400	PASS SAR2
393	PERI_MS_PPU_FX_PASS0_SAR0_CH0_CH	0x40900800	0x00000040	SAR0, Channel #0
394	PERI_MS_PPU_FX_PASS0_SAR0_CH1_CH	0x40900840	0x00000040	SAR0, Channel #1
395	PERI_MS_PPU_FX_PASS0_SAR0_CH2_CH	0x40900880	0x00000040	SAR0, Channel #2
396	PERI_MS_PPU_FX_PASS0_SAR0_CH3_CH	0x409008C0	0x00000040	SAR0, Channel #3
397	PERI_MS_PPU_FX_PASS0_SAR0_CH4_CH	0x40900900	0x00000040	SAR0, Channel #4
398	PERI_MS_PPU_FX_PASS0_SAR0_CH5_CH	0x40900940	0x00000040	SAR0, Channel #5
399	PERI_MS_PPU_FX_PASS0_SAR0_CH6_CH	0x40900980	0x00000040	SAR0, Channel #6
400	PERI_MS_PPU_FX_PASS0_SAR0_CH7_CH	0x409009C0	0x00000040	SAR0, Channel #7
401	PERI_MS_PPU_FX_PASS0_SAR0_CH8_CH	0x40900A00	0x00000040	SAR0, Channel #8
402	PERI_MS_PPU_FX_PASS0_SAR0_CH9_CH	0x40900A40	0x00000040	SAR0, Channel #9
403	PERI_MS_PPU_FX_PASS0_SAR0_CH10_CH	0x40900A80	0x00000040	SAR0, Channel #10
404	PERI_MS_PPU_FX_PASS0_SAR0_CH11_CH	0x40900AC0	0x00000040	SAR0, Channel #11

Table 22-1. PPU Fixed Structure Pairs (continued)

Pair No.	PPU Fixed Structure Pair	Address	Size	Description
405	PERI_MS_PPU_FX_PASS0_SAR0_CH12_CH	0x40900B00	0x00000040	SAR0, Channel #12
406	PERI_MS_PPU_FX_PASS0_SAR0_CH13_CH	0x40900B40	0x00000040	SAR0, Channel #13
407	PERI_MS_PPU_FX_PASS0_SAR0_CH14_CH	0x40900B80	0x00000040	SAR0, Channel #14
408	PERI_MS_PPU_FX_PASS0_SAR0_CH15_CH	0x40900BC0	0x00000040	SAR0, Channel #15
409	PERI_MS_PPU_FX_PASS0_SAR0_CH16_CH	0x40900C00	0x00000040	SAR0, Channel #16
410	PERI_MS_PPU_FX_PASS0_SAR0_CH17_CH	0x40900C40	0x00000040	SAR0, Channel #17
411	PERI_MS_PPU_FX_PASS0_SAR0_CH18_CH	0x40900C80	0x00000040	SAR0, Channel #18
412	PERI_MS_PPU_FX_PASS0_SAR0_CH19_CH	0x40900CC0	0x00000040	SAR0, Channel #19
413	PERI_MS_PPU_FX_PASS0_SAR0_CH20_CH	0x40900D00	0x00000040	SAR0, Channel #20
414	PERI_MS_PPU_FX_PASS0_SAR0_CH21_CH	0x40900D40	0x00000040	SAR0, Channel #21
415	PERI_MS_PPU_FX_PASS0_SAR0_CH22_CH	0x40900D80	0x00000040	SAR0, Channel #22
416	PERI_MS_PPU_FX_PASS0_SAR0_CH23_CH	0x40900DC0	0x00000040	SAR0, Channel #23
417	PERI_MS_PPU_FX_PASS0_SAR1_CH0_CH	0x40901800	0x00000040	SAR1, Channel #0
418	PERI_MS_PPU_FX_PASS0_SAR1_CH1_CH	0x40901840	0x00000040	SAR1, Channel #1
419	PERI_MS_PPU_FX_PASS0_SAR1_CH2_CH	0x40901880	0x00000040	SAR1, Channel #2
420	PERI_MS_PPU_FX_PASS0_SAR1_CH3_CH	0x409018C0	0x00000040	SAR1, Channel #3
421	PERI_MS_PPU_FX_PASS0_SAR1_CH4_CH	0x40901900	0x00000040	SAR1, Channel #4
422	PERI_MS_PPU_FX_PASS0_SAR1_CH5_CH	0x40901940	0x00000040	SAR1, Channel #5
423	PERI_MS_PPU_FX_PASS0_SAR1_CH6_CH	0x40901980	0x00000040	SAR1, Channel #6
424	PERI_MS_PPU_FX_PASS0_SAR1_CH7_CH	0x409019C0	0x00000040	SAR1, Channel #7
425	PERI_MS_PPU_FX_PASS0_SAR1_CH8_CH	0x40901A00	0x00000040	SAR1, Channel #8
426	PERI_MS_PPU_FX_PASS0_SAR1_CH9_CH	0x40901A40	0x00000040	SAR1, Channel #9
427	PERI_MS_PPU_FX_PASS0_SAR1_CH10_CH	0x40901A80	0x00000040	SAR1, Channel #10
428	PERI_MS_PPU_FX_PASS0_SAR1_CH11_CH	0x40901AC0	0x00000040	SAR1, Channel #11
429	PERI_MS_PPU_FX_PASS0_SAR1_CH12_CH	0x40901B00	0x00000040	SAR1, Channel #12
430	PERI_MS_PPU_FX_PASS0_SAR1_CH13_CH	0x40901B40	0x00000040	SAR1, Channel #13
431	PERI_MS_PPU_FX_PASS0_SAR1_CH14_CH	0x40901B80	0x00000040	SAR1, Channel #14
432	PERI_MS_PPU_FX_PASS0_SAR1_CH15_CH	0x40901BC0	0x00000040	SAR1, Channel #15
433	PERI_MS_PPU_FX_PASS0_SAR1_CH16_CH	0x40901C00	0x00000040	SAR1, Channel #16
434	PERI_MS_PPU_FX_PASS0_SAR1_CH17_CH	0x40901C40	0x00000040	SAR1, Channel #17
435	PERI_MS_PPU_FX_PASS0_SAR1_CH18_CH	0x40901C80	0x00000040	SAR1, Channel #18
436	PERI_MS_PPU_FX_PASS0_SAR1_CH19_CH	0x40901CC0	0x00000040	SAR1, Channel #19
437	PERI_MS_PPU_FX_PASS0_SAR1_CH20_CH	0x40901D00	0x00000040	SAR1, Channel #20
438	PERI_MS_PPU_FX_PASS0_SAR1_CH21_CH	0x40901D40	0x00000040	SAR1, Channel #21
439	PERI_MS_PPU_FX_PASS0_SAR1_CH22_CH	0x40901D80	0x00000040	SAR1, Channel #22
440	PERI_MS_PPU_FX_PASS0_SAR1_CH23_CH	0x40901DC0	0x00000040	SAR1, Channel #23
441	PERI_MS_PPU_FX_PASS0_SAR1_CH24_CH	0x40901E00	0x00000040	SAR1, Channel #24
442	PERI_MS_PPU_FX_PASS0_SAR1_CH25_CH	0x40901E40	0x00000040	SAR1, Channel #25
443	PERI_MS_PPU_FX_PASS0_SAR1_CH26_CH	0x40901E80	0x00000040	SAR1, Channel #26
444	PERI_MS_PPU_FX_PASS0_SAR1_CH27_CH	0x40901EC0	0x00000040	SAR1, Channel #27
445	PERI_MS_PPU_FX_PASS0_SAR1_CH28_CH	0x40901F00	0x00000040	SAR1, Channel #28

Table 22-1. PPU Fixed Structure Pairs *(continued)*

Pair No.	PPU Fixed Structure Pair	Address	Size	Description
446	PERI_MS_PPU_FX_PASS0_SAR1_CH29_CH	0x40901F40	0x00000040	SAR1, Channel #29
447	PERI_MS_PPU_FX_PASS0_SAR1_CH30_CH	0x40901F80	0x00000040	SAR1, Channel #30
448	PERI_MS_PPU_FX_PASS0_SAR1_CH31_CH	0x40901FC0	0x00000040	SAR1, Channel #31
449	PERI_MS_PPU_FX_PASS0_SAR2_CH0_CH	0x40902800	0x00000040	SAR2, Channel #0
450	PERI_MS_PPU_FX_PASS0_SAR2_CH1_CH	0x40902840	0x00000040	SAR2, Channel #1
451	PERI_MS_PPU_FX_PASS0_SAR2_CH2_CH	0x40902880	0x00000040	SAR2, Channel #2
452	PERI_MS_PPU_FX_PASS0_SAR2_CH3_CH	0x409028C0	0x00000040	SAR2, Channel #3
453	PERI_MS_PPU_FX_PASS0_SAR2_CH4_CH	0x40902900	0x00000040	SAR2, Channel #4
454	PERI_MS_PPU_FX_PASS0_SAR2_CH5_CH	0x40902940	0x00000040	SAR2, Channel #5
455	PERI_MS_PPU_FX_PASS0_SAR2_CH6_CH	0x40902980	0x00000040	SAR2, Channel #6
456	PERI_MS_PPU_FX_PASS0_SAR2_CH7_CH	0x409029C0	0x00000040	SAR2, Channel #7
457	PERI_MS_PPU_FX_PASS0_TOP	0x409F0000	0x00001000	PASS0 SAR main

23. Bus Masters

The Arbiter (part of flash controller) performs priority-based arbitration based on the master identifier. Each bus master has a dedicated 4-bit master identifier. This master identifier is used for bus arbitration and IPC functionality.

Table 23-1. Bus Masters for Access and Protection Control

ID No.	Master ID	Description
0	CPUSS_MS_ID_CM0	Master ID for CM0+
1	CPUSS_MS_ID_CRYPT0	Master ID for Crypto
2	CPUSS_MS_ID_DW0	Master ID for P-DMA 0
3	CPUSS_MS_ID_DW1	Master ID for P-DMA 1
4	CPUSS_MS_ID_DMAC	Master ID for M-DMA0
14	CPUSS_MS_ID_CM4	Master ID for CM4
15	CPUSS_MS_ID_TC	Master ID for DAP Tap Controller

24. Miscellaneous Configuration

Table 24-1. Miscellaneous Configuration for CYT2B7 Devices

SI. No.	Configuration	Number/Instances	Description
0	SRSS_NUM_CLKPATH	4	Number of clock paths. One for each of FLL, PLL, Direct and CSV
1	SRSS_NUM_HFROOT	3	Number of CLK_HFs present
2	PERI_PC_NR	8	Number of protection contexts
3	PERI_CLOCK_NR	110	Number of programmable clocks (outputs)
4	PERI_DIV_8_NR	32	Number of divide-by-8 clock dividers
5	PERI_DIV_16_NR	16	Number of divide-by-16 clock dividers
6	PERI_DIV_24_5_NR	8	Number of divide-by-24.5 clock dividers
7	CPUSS_CM0P_MPU_NR	8	Number of MPU regions in CM0+
8	CPUSS_CM4_MPU_NR	8	Number of MPU regions in CM4
9	CPUSS_CRYPT0_BUFF_SIZE	2048	Number of 32-bit words in the IP internal memory buffer (to allow for a 256-B, 512-B, 1-KB, 2-KB, 4-KB, 8-KB, 16-KB, and 32-KB memory buffer)
10	CPUSS_FAULT_FAULT_NR	4	Number of fault structures
11	CPUSS_IPC_IPC_NR	8	Number of IPC structures 0 - Reserved for CM0+ access 1 - Reserved for CM4 access 2 - Reserved for DAP access Remaining for user purposes
12	SCB0_EZ_DATA_NR	256	Number of EZ memory bytes. This memory is used in EZ mode, CMD_RESP mode and FIFO mode. Note: Only SCB0 supports EZ mode
13	CPUSS_PROT_SMPU_STRUCT_NR	16	Number of SMPU protection structures
14	TCPWM_TR_ONE_CNT_NR	3	Number of input triggers per counter, routed to one counter
15	TCPWM_TR_ALL_CNT_NR	27	Number of input triggers routed to all counters, based on the pin package
16	TCPWM_GRP_NR	3	Number of TCPWM0 counter groups
17	TCPWM_GRP_NR0_GRP_GRP_CNT_NR	63	Number of counters per TCPWM0 Group #0
18	TCPWM_GRP_NR0_CNT_GRP_CNT_WIDTH	16	Counter width in number of bits per TCPWM0 Group #0
19	TCPWM_GRP_NR1_GRP_GRP_CNT_NR	12	Number of counters per TCPWM0 Group #1
20	TCPWM_GRP_NR1_CNT_GRP_CNT_WIDTH	16	Counter width in number of bits per TCPWM0 Group #1
21	TCPWM_GRP_NR2_GRP_GRP_CNT_NR	4	Number of counters per TCPWM0 Group #2
22	TCPWM_GRP_NR2_CNT_GRP_CNT_WIDTH	32	Counter width in number of bits per TCPWM0 Group #2
23	CANFD0_MRAM_SIZE / CANFD1_MRAM_SIZE	24	Message RAM size in KB shared by all the channels
24	EVTGEN_COMP_STRUCT_NR	11	Number of Event Generator comparator structures

25. Development Support

CYT2B7 has a rich set of documentation, programming tools, and online resources to assist during the development process. Visit www.cypress.com to find out more.

25.1 Documentation

A suite of documentation supports CYT2B7 to ensure that you can find answers to your questions quickly. This section contains a list of some of the key documents.

25.1.1 *Software User Guide*

A step-by-step guide for using the sample driver library along with third-party IDEs such as IAR EWARM and GHS Multi.

25.1.2 *Technical Reference Manual*

The Technical Reference Manual (TRM) contains all the technical detail needed to use a CYT2B7 device, including a complete description of all registers. The TRM is available in the documentation section at www.cypress.com.

25.2 Tools

CYT2B7 is supported on third-party development tool ecosystems such as IAR and GHS. CYT2B7 is also supported by Cypress programming utilities for programming, erasing, or reading using Cypress' MiniProg4 or Segger J-link. More details are available in the documentation section at www.cypress.com.

26. Electrical Specifications

26.1 Absolute Maximum Ratings

Use of this device under conditions outside the min and max limits listed in [Table 26-1](#) may cause permanent damage to the device. Exposure to conditions within the limits of [Table 26-1](#) but beyond those of normal operation for extended periods of time may affect device reliability. The maximum storage temperature is 150 °C in compliance with JEDEC Standard JESD22-A103, High Temperature Storage Life. When operated under conditions within the limits of [Table 26-1](#) but beyond those of normal operation, the device may not operate to specification.

Power considerations

The average chip-junction temperature, T_J , in °C, may be calculated using Equation 1:

$$T_J = T_A + (P_D \times \theta_{JA}) \quad \text{Equation. 1}$$

Where:

T_A is the ambient temperature in °C.

θ_{JA} is the package junction-to-ambient thermal resistance, in °C/W.

P_D is the sum of P_{INT} and P_{IO} ($P_D = P_{INT} + P_{IO}$).

P_{INT} is the chip internal power. ($P_{INT} = V_{DDD} \times I_{DD} + V_{DDA} \times I_A$)

P_{IO} represents the power dissipation on input and output pins; user determined.

For most applications, $P_{IO} < P_{INT}$ and may be neglected.

On the other hand, P_{IO} may be significant if the device is configured to continuously drive external modules and/or memories.

Table 26-1. Absolute Maximum Ratings

Spec ID	Parameter	Description	Min	Typ	Max	Units	Details/Conditions
SID10	V_{DDD_ABS}	V_{DDD} power supply voltage ^[31]	$V_{SSD} - 0.3$	–	$V_{SSD} + 6.0$	V	For ports 0, 1, 2, 3, 4, 5, 16, 17, 18, 19, 20, 21, 22, 23
SID10B	$V_{DDIO_1_ABS}$	V_{DDIO_1} power supply voltage ^[31]	$V_{SSD} - 0.3$	–	$V_{SSD} + 6.0$	V	$V_{DDIO_1} \geq V_{DDP}$ For ports 6, 7, 8, 9 ^[32]
SID10C1	$V_{DDIO_2_ABS}$	V_{DDIO_2} power supply voltage ^[31]	$V_{SSD} - 0.3$	–	$V_{SSD} + 6.0$	V	For ports 10, 11, 12, 13, 14, 15
SID11	V_{DDA_ABS}	V_{DDA} analog power supply voltage ^[31]	$V_{SSA} - 0.3$	–	$V_{SSA} + 6.0$	V	$V_{DDIO_2} = V_{DDA}$
SID12	V_{REFH_ABS}	Analog reference voltage, HIGH ^[31]	$V_{SSA} - 0.3$	–	$V_{SSA} + 6.0$	V	$V_{REFH} \leq V_{DDA} + 0.3$ V
SID12A	V_{REFL_ABS}	Analog reference voltage, LOW ^[31]	$V_{SSA} - 0.3$	–	$V_{SSA} + 0.3$	V	
SID15A	V_{I0_ABS0}	Input voltage ^[31]	$V_{SSD} - 0.5$	–	$V_{DDD} + 0.5$	V	For ports 0, 1, 2, 3, 4, 5, 16, 17, 18, 19, 20, 21, 22, 23
SID15B	V_{I1_ABS1}	Input voltage ^[31]	$V_{SSD} - 0.5$	–	$V_{DDIO_1} + 0.5$	V	For ports 6, 7, 8, 9 ^[32]
SID15C	V_{I2_ABS2}	Input voltage ^[31]	$V_{SSD} - 0.5$	–	$V_{DDIO_2} + 0.5$	V	For ports 10, 11, 12, 13, 14, 15
SID16	V_{IA_ABS}	Analog input voltage ^[31]	$V_{SSA} - 0.3$	–	$V_{DDA} + 0.3$	V	
SID17A	V_{O0_ABS0}	Output voltage ^[31]	$V_{SSD} - 0.3$	–	$V_{DDD} + 0.3$		For ports 0, 1, 2, 3, 4, 5, 16, 17, 18, 19, 20, 21, 22, 23
SID17B	V_{O1_ABS1}	Output voltage ^[31]	$V_{SSD} - 0.3$	–	$V_{DDIO_1} + 0.3$	V	For ports 6, 7, 8, 9 ^[32]
SID17C	V_{O2_ABS2}	Output voltage ^[31]	$V_{SSD} - 0.3$	–	$V_{DDIO_2} + 0.3$	V	For ports 10, 11, 12, 13, 14, 15
SID18	I_{CLAMP_ABS}	Maximum clamp current ^[33, 34, 35]	–5	–	5	mA	
SID18A	$I_{CLAMP_SUPPLY_POS_ABS}$	Maximum positive clamp current per I/O supply pin. Limit applies to I/O supply pin closest to the B+ injected current ^[38]	–	–	10	mA	+B injected DC currents are not allowed for Ports 11 and 21.
SID18B	$I_{CLAMP_SUPPLY_NEG_ABS}$	Maximum negative clamp current per I/O ground pin. Limit applies to I/O supply pin closest to the B+ injected current ^[38]	–	–	10	mA	+B injected DC currents are not allowed for Ports 11 and 21.

Notes

31. These parameters are based on the condition that $V_{SSD} = V_{SSA} = 0.0$ V.

32. The I/Os in V_{DDIO_1} domain are referred to the V_{DDD} domain in 64-LQFP package.

33. A current-limiting resistor must be provided such that the current at the I/O pin does not exceed rated values at any time, including during power transients. Refer to [Figure 26-1](#) for more information on the recommended circuit.

34. V_{DDIO} and V_{DDD} must be sufficiently loaded or protected to prevent them from being pulled out of the recommended operating range by the clamp current.

35. When the conditions of [42], [43], and SID18A/B/C/D are met, $|I_{CLAMP_ABS}|$ supersedes V_{IA_ABS} and V_{I1_ABS} .

36. The definition of "closer" depends on the package. In LQFP packaging, "closest" is determined by counting pins. For example, in a 176-LQFP package, P17.4 (pin 120) is closer to the V_{DDD} on pin 110 than on pin 132. Ports 11 and 21 should not be used for injection currents. The impact of injection currents is only defined for GPIO_STD/GPIO_ENH type I/Os.

Table 26-1. Absolute Maximum Ratings (continued)

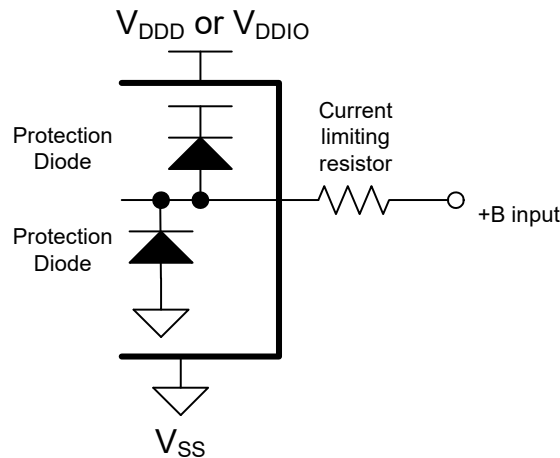
Spec ID	Parameter	Description	Min	Typ	Max	Units	Details/Conditions
SID18C	I _{CLAMP_TOTAL_POS_ABS}	Maximum positive clamp current per I/O supply, if not limited by the per supply pin (based on SID18A).	–	–	50	mA	
SID18D	I _{CLAMP_TOTAL_NEG_ABS}	Maximum negative clamp current per I/O ground, if not limited by the per supply pin (based on SID18B).	–	–	50	mA	
SID20A	I _{OL1A_ABS}	LOW-level maximum output current ^[37]	–	–	6	mA	For GPIO_STD, configured for drive_sel<1:0>= 0b0X
SID20B	I _{OL1B_ABS}	LOW-level maximum output current ^[37]	–	–	2	mA	For GPIO_STD, configured for drive_sel<1:0>= 0b10
SID20C	I _{OL1C_ABS}	LOW-level maximum output current ^[37]	–	–	1	mA	For GPIO_STD, configured for drive_sel<1:0>= 0b11
SID21A	I _{OL2A_ABS}	LOW-level maximum output current ^[37]	–	–	6	mA	For GPIO_ENH, configured for drive_sel<1:0>= 0b0X
SID21B	I _{OL2B_ABS}	LOW-level maximum output current ^[37]	–	–	2	mA	For GPIO_ENH, configured for drive_sel<1:0>= 0b10
SID21C	I _{OL2C_ABS}	LOW-level maximum output current ^[37]	–	–	1	mA	For GPIO_ENH, configured for drive_sel<1:0>= 0b11
SID26A	∑I _{OL_ABS_GPIO}	LOW-level total output current ^[38]	–	–	50	mA	
SID27A	I _{OH1A_ABS}	HIGH-level maximum output current ^[37]	–	–	–5	mA	For GPIO_STD, configured for drive_sel<1:0>= 0b0X
SID27B	I _{OH1B_ABS}	HIGH-level maximum output current ^[37]	–	–	–2	mA	For GPIO_STD, configured for drive_sel<1:0>= 0b10
SID27C	I _{OH1C_ABS}	HIGH-level maximum output current ^[37]	–	–	–1	mA	For GPIO_STD, configured for drive_sel<1:0>= 0b11
SID28A	I _{OH2A_ABS}	HIGH-level maximum output current ^[37]	–	–	–5	mA	For GPIO_ENH, configured for drive_sel<1:0>= 0b0X
SID28B	I _{OH2B_ABS}	HIGH-level maximum output current ^[37]	–	–	–2	mA	For GPIO_ENH, configured for drive_sel<1:0>= 0b10
SID28C	I _{OH2C_ABS}	HIGH-level maximum output current ^[37]	–	–	–1	mA	For GPIO_ENH, configured for drive_sel<1:0>= 0b11
SID33A	∑I _{OH_ABS_GPIO}	HIGH-level total output current ^[38]	–	–	–50	mA	
SID34	P _D	Power dissipation	–	–	1000	mW	T _J should not exceed 150 °C
SID35	T _A	Ambient temperature	–40	–	105	°C	For S-grade devices
SID36	T _A	Ambient temperature	–40	–	125	°C	For E-grade devices
SID37	T _{STG}	Storage temperature	–55	–	150	°C	
SID38	T _J	Operating Junction temperature	–40	–	150	°C	
SID39A	V _{ESD_HBM}	Electrostatic discharge human body model	2000	–	–	V	
SID39B1	V _{ESD_CDM1}	Electrostatic discharge charged device model for corner pins	750	–	–	V	
SID39B2	V _{ESD_CDM2}	Electrostatic discharge charged device model for all other pins	500	–	–	V	
SID39C	I _{LU}	The maximum pin current the device can tolerate before triggering a latch-up	–100	–	100	mA	

Notes

37. The maximum output current is the peak current flowing through any one I/O.

38. The total output current is the maximum current flowing through all I/Os (GPIO_STD, and GPIO_ENH).

Figure 26-1. Example of a Recommended Circuit^[39]



WARNING:

Semiconductor devices may be permanently damaged by application of stress (including, without limitation, voltage, current, or temperature) in excess of absolute maximum ratings. Do not exceed any of these ratings.

26.2 Device-Level Specifications

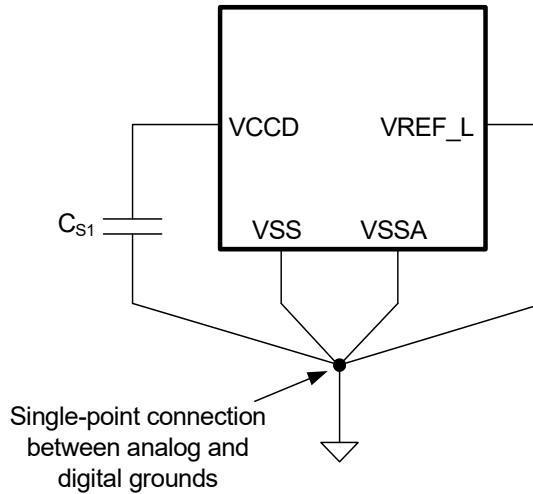
Table 26-2. Recommended Operating Conditions

Spec ID	Parameter	Description	Min	Typ	Max	Units	Details/Conditions
Recommended Operating Conditions							
SID40	V_{DDD} , V_{DDA} , V_{DDIO_1} , V_{DDIO_2}	Power supply voltage ^[40]	2.7 ^[41]	–	5.5 ^[42]	V	
SID40A	$V_{DDIO_1_EFP}$	Power supply voltage for eFuse programming ^[43]	3	–	5.5	V	
SID41	C_{S1}	Smoothing capacitor ^[44, 45]	3.76	–	11	μF	

Notes

- 39. +B is the positive battery voltage around 45 V.
- 40. V_{DDD} , V_{DDIO_1} , V_{DDIO_2} , and V_{DDA} do not have any sequencing limitation and can establish in any order. These supplies (except for V_{DDA} and V_{DDIO_2}) are independent in voltage level. For example, $V_{DDIO_1} = 5.0\text{ V}$, $V_{DDD} = 3.3\text{ V}$, and $V_{DDA} = V_{DDIO_2} = 4.0\text{ V}$ are supported, as is any other combination of voltages between 2.7 V and 5.5 V inclusive. The presence of V_{DDA} without V_{DDD} can cause some leakage from V_{DDA} . However, the device does not drive any analog or digital output.
- 41. 3.0 V \pm 10% is supported with a lower BOD setting option for V_{DDD} and V_{DDA} . This setting provides robust protection for internal timing but BOD reset occurs at a voltage below the specified operating conditions. A higher BOD setting option is available (consistent with down to 3.0 V) and guarantees that all operating conditions are met.
- 42. 5.0 V \pm 10% is supported with a higher OVD setting option for V_{DDD} and V_{DDA} . This setting provides robust protection for internal and interface timing, but OVD reset occurs at a voltage above the specified operating conditions. A lower OVD setting option is available (consistent with up to 5.0 V) and guarantees that all operating conditions are met.
- 43. eFuse programming must be executed with the part in a “quiet” state, with minimal activity (preferably only JTAG or a single LIN/CAN channel on V_{DDD} domain, no activity on V_{DDIO_1}).
- 44. Smoothing capacitor, C_{S1} is required per chip (not per V_{CCD} pin). The V_{CCD} pins must be connected together to ensure a low-impedance connection (see the requirement in Figure 26-2. and Table 26-3).
- 45. Capacitors used for power supply decoupling or filtering are operated under a continuous DC-bias. Many capacitors used with DC power across them provide less than their target capacitance, and their capacitance is not constant across their working voltage range. When selecting capacitors for use with this device, ensure that the selected components provide the required capacitance under the specific operating conditions of temperature and voltage used in your design. While the temperature coefficient is normally found within a parts catalog (such as, X7R, C0G, Y5V), the matching voltage coefficient may only be available on the component datasheet or direct from the manufacturer. Use of components that do not provide the required capacitance under the actual operating conditions may cause the device to operate to less than datasheet specifications.

Figure 26-2.Smoothing Capacitor



Smoothing capacitor should be placed as close as possible to the V_{CCD} pin marked in the [Table 26-3](#).

26.3 Smoothing Capacitor Recommendations

Table 26-3. Smoothing Capacitor Connections

Package	C_{S1} @ Pin Pair
176-LQFP	V_{CCD} : 156, V_{SSD} : 155
144-LQFP	V_{CCD} : 127, V_{SSD} : 126
100-LQFP	V_{CCD} : 89, V_{SSD} : 88
80-LQFP	V_{CCD} : 72, V_{SSD} : 71
64-LQFP	V_{CCD} : 58, V_{SSD} : 57

26.4 DC Specifications

Table 26-4. DC Specifications, CPU Current and Transition Time Specifications

All specifications are valid for $-40\text{ }^{\circ}\text{C} \leq T_A \leq 125\text{ }^{\circ}\text{C}$ and for 2.7 V to 5.5 V except where noted.

Spec ID	Parameter	Description	Min	Typ	Max	Units	Details/Conditions
SID49C1A	$I_{DD1_CM04_8_1A}$	LP Active mode (CM4 and CM0+ at 8 MHz, all peripherals are disabled)	–	4	9	mA	CM0+ and CM4 clocked at 8 MHz with IMO. All peripherals are disabled. No IO toggling. TYP: $T_A = 25\text{ }^{\circ}\text{C}$, $V_{DD} = 5.0\text{ V}$, process typ (TT), CM0+ and CM4 executing Dhrystone from flash with cache enabled MAX: $T_A = 125\text{ }^{\circ}\text{C}$, $V_{DD} = 5.5\text{ V}$, process typ (FF), CM0+ and CM4 executing Dhrystone from flash with cache enabled.
SID49CA	$I_{DD1_CM04_8A}$	LP Active mode (CM4 and CM0+ at 8 MHz, all peripherals are enabled)	–	5	51	mA	CM0+ and CM4 clocked at 8 MHz with IMO. All peripherals are enabled. No IO toggling. M-DMA transferring data from code + work flash, P-DMA chains with maximum trigger activity. TYP: $T_A = 25\text{ }^{\circ}\text{C}$, $V_{DD} = 5.0\text{ V}$, process typ (TT), CM0+ and CM4 executing Dhrystone from flash with cache enabled MAX: $T_A = 125\text{ }^{\circ}\text{C}$, $V_{DD} = 5.5\text{ V}$, process worst (FF), CM0+ and CM4 executing max_power.c from ARM with cache enabled.

Table 26-4. DC Specifications, CPU Current and Transition Time Specifications (continued)

 All specifications are valid for $-40\text{ }^{\circ}\text{C} \leq T_A \leq 125\text{ }^{\circ}\text{C}$ and for 2.7 V to 5.5 V except where noted.

Spec ID	Parameter	Description	Min	Typ	Max	Units	Details/Conditions
SID49E1	I _{DD1_F160_1M}	Active mode (CM4 at 160 MHz, CM0+ at 80 MHz, all peripherals are enabled)	–	39	102	mA	PLL enabled at 160 MHz with ECO reference. All peripherals are enabled. No I/O toggling. M-DMA transferring data from code + work flash, P-DMA chains with maximum trigger activity. TYP: T _A = 25 °C, V _{DDD} = 5.0 V, process typ (TT), CM4 and CM0+ executing Dhrystone from flash with cache enabled. MAX: T _A = 125 °C, V _{DDD} = 5.5 V, process worst (FF), CM4 and CM0+ executing max_power.c from flash with cache enabled
SID53A1	I _{DD2_8_1}	All CPUs in Sleep mode	–	3	46	mA	PLL disabled, CM4 and CM0+ are sleeping at 8 MHz with IMO. All peripherals, peripheral clocks, interrupts, CSV, DMA, FLL, ECO are disabled. No I/O toggling. Typ: T _A = 25 °C, V _{DDD} = 5.0 V, process typ (TT) Max: T _A = 125 °C, V _{DDD} = 5.5 V, process worst (FF)
SID56A	I _{DD_CWU2}	Average current for cyclic wake-up operation This is the average current for the specified LP Active mode and DeepSleep mode (RTC, WDT, and Event generator operating).	–	46	136	μA	V _{DDD} = 5.5 V, T _A = 25 °C, 64-KB SRAM, ILO0 operation in DeepSleep, Smart IO operations with ILO0, CM0+, CM4: Retained TYP: process typ (TT) MAX: process typ (FF) This average current is achieved under the following conditions. 1. MCU repetitively goes from DeepSleep to LP Active with a period of 32 ms. 2. One of the I/Os is toggled using Smart I/O to activate an external sensor connected to an analog input of A/D in DeepSleep 3. After 200 μs delay, the CM4 wakes up by event generator trigger to LP Active mode with IMO and A/D conversion is triggered by software. 4. Group A/D conversion is performed on 5 channels with the sampling time of 1 μs each. 5. Once the group A/D conversion is finished, and the results fit in the window of the range comparator, the I/O is toggled back by software to de-activate the sensor and the CM4 goes back to DeepSleep.
SID59A	I _{DD_DS64B}	64-KB SRAM retention, ILO0 operation in DeepSleep mode	–	35	130	μA	DeepSleep Mode (RTC, WDT, and event generator operating, all other peripherals are off except for retention registers), T _A = 25 °C, CM0+, CM4: Retained Typ: V _{DDD} = 5.0 V, process typ (TT) Max: V _{DDD} = 5.5 V, process worst (FF)
SID61A	I _{DD_DS64D}	64-KB SRAM retention, ILO0 operation in DeepSleep mode	–	0.9	3.5	mA	DeepSleep Mode steady state at T _A = 125 °C (RTC, WDT, and event generator operating, all other peripherals are off except for retention registers), CM0+, CM4: Retained Typ: V _{DDD} = 5.0 V, process typ (TT) Max: V _{DDD} = 5.5 V, process worst (FF)

Table 26-4. DC Specifications, CPU Current and Transition Time Specifications (continued)

 All specifications are valid for $-40\text{ }^{\circ}\text{C} \leq T_A \leq 125\text{ }^{\circ}\text{C}$ and for 2.7 V to 5.5 V except where noted.

Spec ID	Parameter	Description	Min	Typ	Max	Units	Details/Conditions
Hibernate Mode							
SID62	I _{DD_HIB1}	Hibernate Mode	–	5	–	μA	T _A = 25 °C, V _{DDD} = 5.5 V
SID62A	I _{DD_HIB2}	Hibernate Mode	–	–	175	μA	T _A = 125 °C, V _{DDD} = 5.5 V
Power Mode Transition Times							
SID65	t _{ACT_DS}	Power down time from Active to DeepSleep	–	–	2.5	μs	When the IMO is already running and all HFCLK roots are at least 8 MHz. HFCLK roots that are slower than this will require additional time to turn off.
SID63	t _{DS_ACT}	DeepSleep to Active transition time (IMO clock, SRAM execution)	–	–	10	μs	When using the 8-MHz IMO. Measured from wakeup interrupt during DeepSleep until wakeup.
SID63C	t _{DS_ACT}	DeepSleep to Active transition time (IMO clock, flash execution)	–	–	20	μs	When using the 8-MHz IMO. Measured from wakeup interrupt during DeepSleep until flash execution.
SID63A	t _{DS_ACT_FLL}	DeepSleep to Active transition time (FLL clock, SRAM execution)	–	–	15	μs	When using the FLL to generate 96 MHz from the 8-MHz IMO. Measured from wakeup interrupt during DeepSleep until the FLL locks.
SID63D	t _{DS_ACT_FLL1}	DeepSleep to Active transition time (FLL clock, flash execution)	–	–	21.5	μs	When using the FLL to generate 96 MHz from the 8-MHz IMO. Measured from wakeup interrupt during DeepSleep until flash execution.
SID63B	t _{DS_ACT_PLL}	DeepSleep to Active transition time (PLL clock, SRAM or flash execution)	–	–	60	μs	When using the PLL to generate 96 MHz from the 8-MHz IMO. Measured from wakeup interrupt during DeepSleep until the PLL locks.
SID68	t _{HVR_ACT}	Release time from HV reset (POR, BOD, OVD, OCD, WDT, Hibernate wakeup, or XRES_L) release until CM0+ begins executing ROM boot	–	–	265	μs	Without boot runtime. Guaranteed by design
SID68A	t _{LVR_ACT}	Release time from LV reset (Fault, Internal system reset, MCWDT, or CSV) during Active/Sleep until CM0+ begins executing ROM boot	–	–	10	μs	Without boot runtime. Guaranteed by design
SID68B	t _{LVR_DS}	Release time from LV reset (Fault, or MCWDT) during DeepSleep until CM0+ begins executing ROM boot	–	–	15	μs	Without boot runtime. Guaranteed by design
SID80A	t _{RB_N}	ROM boot startup time or wakeup time from hibernate in NORMAL protection state	–	–	1200	μs	Guaranteed by Design, CM0+ clocked at 100 MHz
SID80B	t _{RB_S}	ROM boot startup time or wakeup time from hibernate in SECURE protection state	–	–	2050	μs	Guaranteed by Design, TOC2_FLAGS = 0x2CF, CM0+ clocked at 100 MHz

Table 26-4. DC Specifications, CPU Current and Transition Time Specifications (continued)

 All specifications are valid for $-40\text{ }^{\circ}\text{C} \leq T_A \leq 125\text{ }^{\circ}\text{C}$ and for 2.7 V to 5.5 V except where noted.

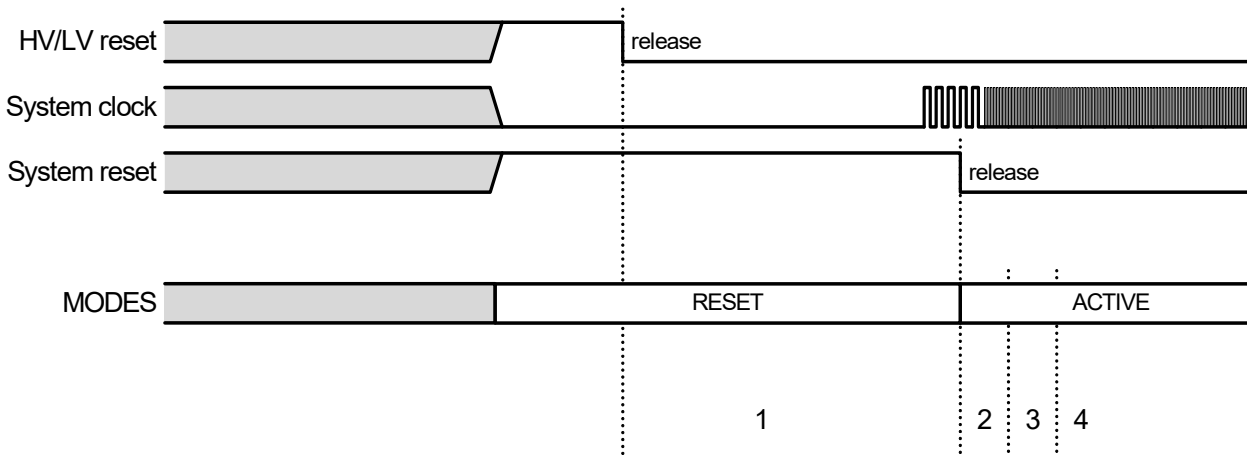
Spec ID	Parameter	Description	Min	Typ	Max	Units	Details/Conditions
SID81A	t_{FB}	Flash boot startup time or wakeup time from hibernate in NORMAL/SECURE protection state	–	–	80	μs	Guaranteed by Design, TOC2_FLAGS = 0x2CF, CM0+ clocked at 100 MHz, Listen window = 0 ms
SID81B	t_{FB_A}	Flash boot with app authentication time in NORMAL/SECURE protection state	–	–	4070	μs	Guaranteed by Design, TOC2_FLAGS = 0x2CF, CM0+ clocked at 100 MHz, Listen window = 0 ms, App size is 64 KB with the last 256 bytes being a digital signature in RSASSA-PKCS1-v1.5
Regulator Specifications							
SID600	V_{CCD}	Core supply voltage	1.05	1.1	1.15	V	
SID601	I_{DD_ACT}	Regulator operating current in Active/Sleep mode	–	80	150	μA	Guaranteed by design
SID602	I_{DD_DPSLP}	Regulator operating current in DeepSleep mode	–	1.5	20	μA	Guaranteed by design
SID604	I_{OUT}	Available regulator output current for operation	–	–	150	mA	Without triggering OVD
SID603	I_{RUSH}	In-rush current	–	–	375	mA	Average V_{DD} current until C_{S1} (connected to V_{CCD} pin) is charged after Active regulator is turned on

26.5 Reset Specifications

Table 26-5. XRES_L Reset

Spec ID	Parameter	Description	Min	Typ	Max	Units	Details/Conditions
XRES_L DC Specifications							
SID73	I_{DD_XRES}	I_{DD} when XRES_L asserted	–	–	0.9	mA	$T_A = 125\text{ }^{\circ}\text{C}$, $V_{DDD} = 5.5\text{ V}$, process worst (FF)
SID74	V_{IH}	Input voltage HIGH threshold	$0.7 \times V_{DDD}$	–	–	V	CMOS input
SID75	V_{IL}	Input voltage LOW threshold	–	–	$0.3 \times V_{DDD}$	V	CMOS input
SID76	R_{PULLUP}	Pull-up resistor	7	–	20	k Ω	
SID77	C_{IN}	Input capacitance	–	–	5	pF	
SID78	$V_{HYSXRES}$	Input voltage hysteresis	$0.05 \times V_{DDD}$	–	–	V	
XRES_L AC Specifications							
SID70	t_{XRES_ACT}	XRES_L release to Active transition time	–	–	265	μs	Without boot runtime. Guaranteed by design
SID71	t_{XRES_PW}	XRES_L pulse width	5	–	–	μs	
SID72	t_{XRES_FT}	Pulse suppression width	100	–	–	ns	

Figure 26-3. Reset Sequence



- | | |
|----|--|
| 1: | SID68/68A/68B: Time from HV/LV reset release until CM0+ begins executing ROM boot |
| 2: | SID80A/80B: ROM boot code operation |
| 3: | SID81A/81B: Flash boot code operation |
| 4: | User code operation |

26.6 I/O
Table 26-6. I/O Specifications

Spec ID	Parameter	Description	Min	Typ	Max	Units	Details/Conditions
GPIO_STD Specifications for ports P1 through P23							
SID650	V _{OL1_GPIO_STD}	Output voltage LOW level	–	–	0.6	V	I _{OL} = 6 mA drive_sel<1:0> = 0b0X, 4.5 V ≤ V _{DDD} or V _{DDIO_1} or V _{DDIO_2} ≤ 5.5 V
SID650C	V _{OL1C_GPIO_STD}	Output voltage LOW level	–	–	0.4	V	I _{OL} = 5 mA drive_sel<1:0> = 0b0X, 4.5 V ≤ V _{DDD} or V _{DDIO_1} or V _{DDIO_2} ≤ 5.5 V
SID651	V _{OL2_GPIO_STD}	Output voltage LOW level	–	–	0.4	V	I _{OL} = 2 mA drive_sel<1:0> = 0b0X, 2.7 V ≤ V _{DDD} or V _{DDIO_1} or V _{DDIO_2} < 4.5 V
SID652	V _{OL3_GPIO_STD}	Output voltage LOW level	–	–	0.4	V	I _{OL} = 1 mA drive_sel<1:0> = 0b10, 2.7 V ≤ V _{DDD} or V _{DDIO_1} or V _{DDIO_2} < 4.5 V
SID652C	V _{OL3C_GPIO_STD}	Output voltage LOW level	–	–	0.4	V	I _{OL} = 2 mA drive_sel<1:0> = 0b10, 4.5 V ≤ V _{DDD} or V _{DDIO_1} or V _{DDIO_2} ≤ 5.5 V
SID653	V _{OL4_GPIO_STD}	Output voltage LOW level	–	–	0.4	V	I _{OL} = 0.5 mA drive_sel<1:0> = 0b11, 2.7 V ≤ V _{DDD} or V _{DDIO_1} or V _{DDIO_2} < 4.5 V
SID653C	V _{OL4C_GPIO_STD}	Output voltage LOW level	–	–	0.4	V	I _{OL} = 1 mA drive_sel<1:0> = 0b11, 4.5 V ≤ V _{DDD} or V _{DDIO_1} or V _{DDIO_2} ≤ 5.5 V
SID654	V _{OH1_GPIO_STD}	Output voltage HIGH level	(V _{DDD} or V _{DDIO_1} or V _{DDIO_2}) – 0.5	–	–	V	I _{OH} = –2 mA drive_sel<1:0> = 0b0X, 2.7 V ≤ V _{DDD} or V _{DDIO_1} or V _{DDIO_2} < 4.5 V
SID655	V _{OH2_GPIO_STD}	Output voltage HIGH level	(V _{DDD} or V _{DDIO_1} or V _{DDIO_2}) – 0.5	–	–	V	I _{OH} = –5 mA drive_sel<1:0> = 0b0X, 4.5 V ≤ V _{DDD} or V _{DDIO_1} or V _{DDIO_2} ≤ 5.5 V
SID656	V _{OH3_GPIO_STD}	Output voltage HIGH level	(V _{DDD} or V _{DDIO_1} or V _{DDIO_2}) – 0.5	–	–	V	I _{OH} = –1 mA drive_sel<1:0> = 0b10, 2.7 V ≤ V _{DDD} or V _{DDIO_1} or V _{DDIO_2} < 4.5 V
SID656C	V _{OH3C_GPIO_STD}	Output voltage HIGH level	(V _{DDD} or V _{DDIO_1} or V _{DDIO_2}) – 0.5	–	–	V	I _{OH} = –2 mA drive_sel<1:0> = 0b10, 4.5 V ≤ V _{DDD} or V _{DDIO_1} or V _{DDIO_2} ≤ 5.5 V
SID657	V _{OH4_GPIO_STD}	Output voltage HIGH level	(V _{DDD} or V _{DDIO_1} or V _{DDIO_2}) – 0.5	–	–	V	I _{OH} = –0.5 mA drive_sel<1:0> = 0b11, 2.7 V ≤ V _{DDD} or V _{DDIO_1} or V _{DDIO_2} < 4.5 V
SID657C	V _{OH4C_GPIO_STD}	Output voltage HIGH level	(V _{DDD} or V _{DDIO_1} or V _{DDIO_2}) – 0.5	–	–	V	I _{OH} = –1 mA drive_sel<1:0> = 0b11, 4.5 V ≤ V _{DDD} or V _{DDIO_1} or V _{DDIO_2} ≤ 5.5 V
SID658	R _{PD_GPIO_STD}	Pull-down resistance	25	50	100	kΩ	
SID659	R _{PU_GPIO_STD}	Pull-up resistance	25	50	100	kΩ	

Table 26-6. I/O Specifications (continued)

Spec ID	Parameter	Description	Min	Typ	Max	Units	Details/Conditions
SID660	V _{IH_CMOS_GPIO_STD}	Input voltage HIGH threshold in CMOS mode	$0.7 \times (V_{DD3} \text{ or } V_{DDIO_1} \text{ or } V_{DDIO_2})$	–	–	V	
SID661	V _{IH_TTL_GPIO_STD}	Input voltage HIGH threshold in TTL mode	2.0	–	–	V	
SID662	V _{IH_AUTO_GPIO_STD}	Input voltage HIGH threshold in AUTO mode	$0.8 \times (V_{DD3} \text{ or } V_{DDIO_1} \text{ or } V_{DDIO_2})$	–	–	V	
SID663	V _{IL_CMOS_GPIO_STD}	Input voltage LOW threshold in CMOS mode	–	–	$0.3 \times (V_{DD3} \text{ or } V_{DDIO_1} \text{ or } V_{DDIO_2})$	V	
SID664	V _{IL_TTL_GPIO_STD}	Input voltage LOW threshold in TTL mode	–	–	0.8	V	
SID665	V _{IL_AUTO_GPIO_STD}	Input voltage LOW threshold in AUTO mode	–	–	$0.5 \times (V_{DD3} \text{ or } V_{DDIO_1} \text{ or } V_{DDIO_2})$	V	
SID666	V _{HYST_CMOS_GPIO_STD}	Hysteresis in CMOS mode	$0.05 \times (V_{DD3} \text{ or } V_{DDIO_1} \text{ or } V_{DDIO_2})$	–	–	V	
SID668	V _{HYST_AUTO_GPIO_STD}	Hysteresis in AUTO mode	$0.05 \times (V_{DD3} \text{ or } V_{DDIO_1} \text{ or } V_{DDIO_2})$	–	–	V	
SID669	C _{in_GPIO_STD}	Input pin capacitance	–	–	5	pF	For 10 MHz and 100 MHz
SID670	I _{IL_GPIO_STD}	Input leakage current	–250	0.02	250	nA	For GPIO_STD except P21.0, P21.1, P21.2, P21.3, P21.4, P23.3, P23.4. V _{DDIO_1} = V _{DDIO_2} = V _{DD3} = V _{DDA} = 5.5 V, V _{SSD} < V _I < V _{DD3} , V _{DDIO_1} , V _{DDIO_2} –40 °C ≤ TA ≤ 125 °C TYP: TA = 25 °C, V _{DDIO_1} = V _{DDIO_2} = V _{DD3} = V _{DDA} = 5.0 V
SID670C	I _{IL_GPIO_STD_B}	Input leakage current	–700	0.02	700	nA	Only for P21.0, P21.1, P21.2, P21.3, P21.4, P23.3, P23.4. V _{DDIO_1} = V _{DDIO_2} = V _{DD3} = V _{DDA} = 5.5 V, V _{SSD} < V _I < V _{DD3} , V _{DDIO_1} , V _{DDIO_2} –40 °C ≤ TA ≤ 125 °C TYP: TA = 25 °C, V _{DDIO_1} = V _{DDIO_2} = V _{DD3} = V _{DDA} = 5.0 V
SID671	t _R or t _F (fast) _{20_0_GPIO_STD}	Rise time or fall time (10% to 90% of V _{DDIO})	1	–	10	ns	20-pF load, drive_sel<1:0> = 0b00
SID672	t _R or t _F (fast) _{50_0_GPIO_STD}	Rise time or fall time (10% to 90% of V _{DDIO})	1	–	20	ns	50-pF load, drive_sel<1:0> = 0b00

Table 26-6. I/O Specifications (continued)

Spec ID	Parameter	Description	Min	Typ	Max	Units	Details/Conditions
SID673	t_R or t_F (fast) _{_20_1_GPIO_STD}	Rise time or fall time (10% to 90% of V_{DDIO})	1	–	20	ns	20-pF load, drive_sel<1:0> = 0b01, guaranteed by design
SID674	t_R or t_F (fast) _{_10_2_GPIO_STD}	Rise time or fall time (10% to 90% of V_{DDIO})	1	–	20	ns	10-pF load, drive_sel<1:0> = 0b10, guaranteed by design
SID675	t_R or t_F (fast) _{_6_3_GPIO_STD}	Rise time or fall time (10% to 90% of V_{DDIO})	1	–	20	ns	6-pF load, drive_sel<1:0> = 0b11, guaranteed by design
SID676	t_F (fast) _{_100_GPIO_STD}	Fall time (30% to 70% of V_{DDIO})	0.35	–	250	ns	10-pF to 400-pF load, RPU = 767 Ω , drive_sel<1:0> = 0b00, Freq = 100 kHz
SID677	t_F (fast) _{_400_GPIO_STD}	Fall time (30% to 70% of V_{DDIO})	0.35	–	250	ns	10-pF to 400-pF load, RPU = 350 Ω , drive_sel<1:0> = 0b00, Freq = 400 kHz
SID678	$f_{IN_GPIO_STD}$	Input frequency	–	–	100	MHz	
SID679	$f_{OUT_GPIO_STD0H}$	Output frequency	–	–	50	MHz	20-pF load, drive_sel<1:0> = 00, $4.5\text{ V} \leq V_{DDDD}$ or V_{DDIO_1} or $V_{DDIO_2} \leq 5.5\text{ V}$
SID680	$f_{OUT_GPIO_STD0L}$	Output frequency	–	–	32	MHz	20-pF load, drive_sel<1:0> = 00, $2.7\text{ V} \leq V_{DDDD}$ or V_{DDIO_1} or $V_{DDIO_2} < 4.5\text{ V}$
SID681	$f_{OUT_GPIO_STD1H}$	Output frequency	–	–	25	MHz	20-pF load, drive_sel<1:0> = 01, $4.5\text{ V} \leq V_{DDDD}$ or V_{DDIO_1} or $V_{DDIO_2} \leq 5.5\text{ V}$
SID682	$f_{OUT_GPIO_STD1L}$	Output frequency	–	–	15	MHz	20-pF load, drive_sel<1:0> = 01, $2.7\text{ V} \leq V_{DDDD}$ or V_{DDIO_1} or $V_{DDIO_2} < 4.5\text{ V}$
SID683	$f_{OUT_GPIO_STD2H}$	Output frequency	–	–	25	MHz	10-pF load, drive_sel<1:0> = 10, $4.5\text{ V} \leq V_{DDDD}$ or V_{DDIO_1} or $V_{DDIO_2} \leq 5.5\text{ V}$
SID684	$f_{OUT_GPIO_STD2L}$	Output frequency	–	–	15	MHz	10-pF load, drive_sel<1:0> = 10, $2.7\text{ V} \leq V_{DDDD}$ or V_{DDIO_1} or $V_{DDIO_2} < 4.5\text{ V}$
SID685	$f_{OUT_GPIO_STD3H}$	Output frequency	–	–	15	MHz	6-pF load, drive_sel<1:0> = 11, $4.5\text{ V} \leq V_{DDDD}$ or V_{DDIO_1} or $V_{DDIO_2} \leq 5.5\text{ V}$
SID686	$f_{OUT_GPIO_STD3L}$	Output frequency	–	–	10	MHz	6-pF load, drive_sel<1:0> = 11, $2.7\text{ V} \leq V_{DDDD}$ or V_{DDIO_1} or $V_{DDIO_2} < 4.5\text{ V}$
GPIO_ENH Specifications only for P0							

Table 26-6. I/O Specifications (continued)

Spec ID	Parameter	Description	Min	Typ	Max	Units	Details/Conditions
SID650A	V _{OL1_GPIO_ENH}	Output voltage LOW level	–	–	0.6	V	I _{OL} = 6 mA drive_sel<1:0> = 0b0X, 2.7 V ≤ V _{DDD} ≤ 5.5 V
SID650D	V _{OL1D_GPIO_ENH}	Output voltage LOW level	–	–	0.4	V	I _{OL} = 5 mA drive_sel<1:0> = 0b0X, 4.5 V ≤ V _{DDD} ≤ 5.5 V
SID651A	V _{OL2_GPIO_ENH}	Output voltage LOW level	–	–	0.4	V	I _{OL} = 2 mA, 3 mA drive_sel<1:0> = 0b0X, 2.7 V ≤ V _{DDD} < 4.5 V
SID652A	V _{OL3_GPIO_ENH}	Output voltage LOW level	–	–	0.4	V	I _{OL} = 1 mA drive_sel<1:0> = 0b10, 2.7 V ≤ V _{DDD} < 4.5 V
SID652D	V _{OL3D_GPIO_ENH}	Output voltage LOW level	–	–	0.4	V	I _{OL} = 2 mA drive_sel<1:0> = 0b10, 4.5 V ≤ V _{DDD} ≤ 5.5 V
SID653A	V _{OL4_GPIO_ENH}	Output voltage LOW level	–	–	0.4	V	I _{OL} = 0.5 mA drive_sel<1:0> = 0b11, 2.7 V ≤ V _{DDD} < 4.5 V
SID653D	V _{OL4D_GPIO_ENH}	Output voltage LOW level	–	–	0.4	V	I _{OL} = 1 mA drive_sel<1:0> = 0b11, 4.5 V ≤ V _{DDD} ≤ 5.5 V
SID654A	V _{OH1_GPIO_ENH}	Output voltage HIGH level	V _{DDD} – 0.5	–	–	V	I _{OL} = –2 mA drive_sel<1:0> = 0b0X, 2.7 V ≤ V _{DDD} < 4.5 V
SID655A	V _{OH2_GPIO_ENH}	Output voltage HIGH level	V _{DDD} – 0.5	–	–	V	I _{OL} = –5 mA drive_sel<1:0> = 0b0X, 4.5 V ≤ V _{DDD} ≤ 5.5 V
SID656A	V _{OH3_GPIO_ENH}	Output voltage HIGH level	V _{DDD} – 0.5	–	–	V	I _{OL} = –1 mA drive_sel<1:0> = 0b10, 2.7 V ≤ V _{DDD} < 4.5 V
SID656D	V _{OH3D_GPIO_ENH}	Output voltage HIGH level	V _{DDD} – 0.5	–	–	V	I _{OL} = –2 mA drive_sel<1:0> = 0b10, 4.5 V ≤ V _{DDD} ≤ 5.5 V
SID657A	V _{OH4_GPIO_ENH}	Output voltage HIGH level	V _{DDD} – 0.5	–	–	V	I _{OL} = –0.5 mA drive_sel<1:0> = 0b11, 2.7 V ≤ V _{DDD} < 4.5 V
SID657D	V _{OH4D_GPIO_ENH}	Output voltage HIGH level	V _{DDD} – 0.5	–	–	V	I _{OL} = –1 mA drive_sel<1:0> = 0b11, 4.5 V ≤ V _{DDD} ≤ 5.5 V
SID658A	R _{PD_GPIO_ENH}	Pull-down resistance	25	50	100	kΩ	
SID659A	R _{PU_GPIO_ENH}	Pull-up resistance	25	50	100	kΩ	
SID660A	V _{IH_CMOS_GPIO_ENH}	Input voltage HIGH threshold in CMOS mode	0.7 × V _{DDD}	–	–	V	
SID661A	V _{IH_TTL_GPIO_ENH}	Input voltage HIGH threshold in TTL mode	2	–	–	V	
SID662A	V _{IH_AUTO_GPIO_ENH}	Input voltage HIGH threshold in AUTO mode	0.8 × V _{DDD}	–	–	V	
SID663A	V _{IL_CMOS_GPIO_ENH}	Input voltage LOW threshold in CMOS mode	–	–	0.3 × V _{DDD}	V	
SID664A	V _{IL_TTL_GPIO_ENH}	Input voltage LOW threshold in TTL mode	–	–	0.8	V	

Table 26-6. I/O Specifications (continued)

Spec ID	Parameter	Description	Min	Typ	Max	Units	Details/Conditions
SID665A	V _{IL_AUTO_GPIO_ENH}	Input voltage LOW threshold in AUTO mode	–	–	0.5 × V _{DD}	V	
SID666A	V _{HYST_CMOS_GPIO_ENH}	Hysteresis in CMOS mode	0.05 × V _{DD}	–	–	V	
SID668A	V _{HYST_AUTO_GPIO_ENH}	Hysteresis in AUTO mode	0.05 × V _{DD}	–	–	V	
SID669A	C _{in_GPIO_ENH}	Input pin capacitance	–	–	5	pF	For 10 MHz and 100 MHz
SID670A	I _{IL_GPIO_ENH}	Input leakage current	–350	0.055	350	nA	V _{DD} = V _{DDA} = 5.5 V, V _{SSD} < V _I < V _{DD} , –40 °C ≤ T _A ≤ 125 °C TYP: T _A = 25 °C, V _{DD} = V _{DDA} = 5.0 V
SID671A	t _R or t _F (fast) _{20_0_GPIO_ENH}	Rise time or fall time (10% to 90% of V _{DDIO})	1	–	10	ns	20-pF load, drive_sel<1:0> = 0b00, slow = 0
SID672A	t _R or t _F (fast) _{50_0_GPIO_ENH}	Rise time or fall time (10% to 90% of V _{DDIO})	1	–	20	ns	50-pF load, drive_sel<1:0> = 0b00, slow = 0
SID673A	t _R or t _F (fast) _{20_1_GPIO_ENH}	Rise time or fall time (10% to 90% of V _{DDIO})	1	–	20	ns	20-pF load, drive_sel<1:0> = 0b01, slow = 0, guaranteed by design
SID674A	t _R or t _F (fast) _{10_2_GPIO_ENH}	Rise time or fall time (10% to 90% of V _{DDIO})	1	–	20	ns	10-pF load, drive_sel<1:0> = 0b10, slow = 0, guaranteed by design
SID675A	t _R or t _F (fast) _{6_3_GPIO_ENH}	Rise time or fall time (10% to 90% of V _{DDIO})	1	–	20	ns	6-pF load, drive_sel<1:0> = 0b11, slow = 0, guaranteed by design
SID676A	t _F _{I2C} (slow) _{GPIO_ENH}	Fall time (30% to 70% of V _{DDIO})	20 × (V _{DD} / 5.5)	–	250	ns	10-pF to 400-pF load, drive_sel<1:0> = 0b00, slow = 1, minimum R _{PU} = 400 Ω
SID677A	t _R or t _F (slow) _{20_GPIO_ENH}	Rise time or fall time (10% to 90% of V _{DDIO})	20 × (V _{DD} / 5.5)	–	160	ns	20-pF load, drive_sel<1:0> = 0b00, slow = 1, output frequency = 1 MHz
SID678A	t _R or t _F (slow) _{400_GPIO_ENH}	Rise time or fall time (10% to 90% of V _{DDIO})	20 × (V _{DD} / 5.5)	–	250	ns	400-pF load, drive_sel<1:0> = 0b00, slow = 1, output frequency = 400 kHz
SID679A	f _{IN_GPIO_ENH}	Input frequency	–	–	100	MHz	
SID680A	f _{OUT_GPIO_ENH0H}	Output frequency	–	–	50	MHz	20-pF load, drive_sel<1:0> = 0b00, 4.5 V ≤ V _{DD} ≤ 5.5 V
SID681A	f _{OUT_GPIO_ENH0L}	Output frequency	–	–	32	MHz	20-pF load, drive_sel<1:0> = 0b00, 2.7 V ≤ V _{DD} < 4.5 V

Table 26-6. I/O Specifications (continued)

Spec ID	Parameter	Description	Min	Typ	Max	Units	Details/Conditions
SID682A	f _{OUT_GPIO_ENH1H}	Output frequency	–	–	25	MHz	20-pF load, drive_sel<1:0>= 0b01, 4.5 V ≤ V _{DDD} ≤ 5.5 V
SID683A	f _{OUT_GPIO_ENH1L}	Output frequency	–	–	15	MHz	20-pF load, drive_sel<1:0>= 0b01, 2.7 V ≤ V _{DDD} < 4.5 V
SID684A	f _{OUT_GPIO_ENH2H}	Output frequency	–	–	25	MHz	10-pF load, drive_sel<1:0>= 0b10, 4.5 V ≤ V _{DDD} ≤ 5.5 V
SID685A	f _{OUT_GPIO_ENH2L}	Output frequency	–	–	15	MHz	10-pF load, drive_sel<1:0>= 0b10, 2.7 V ≤ V _{DDD} < 4.5 V
SID686A	f _{OUT_GPIO_ENH3H}	Output frequency	–	–	15	MHz	6-pF load, drive_sel<1:0>= 0b11, 4.5 V ≤ V _{DDD} ≤ 5.5 V
SID687A	f _{OUT_GPIO_ENH3L}	Output frequency	–	–	10	MHz	6-pF load, drive_sel<1:0>= 0b11, 2.7 V ≤ V _{DDD} < 4.5 V
GPIO Input Specifications							
SID98	t _{FT}	Analog glitch filter (pulse suppression width)	–	–	50 ^[46]	ns	One filter per port group
SID99	t _{INT}	Minimum pulse width for GPIO interrupt	160	–	–	ns	

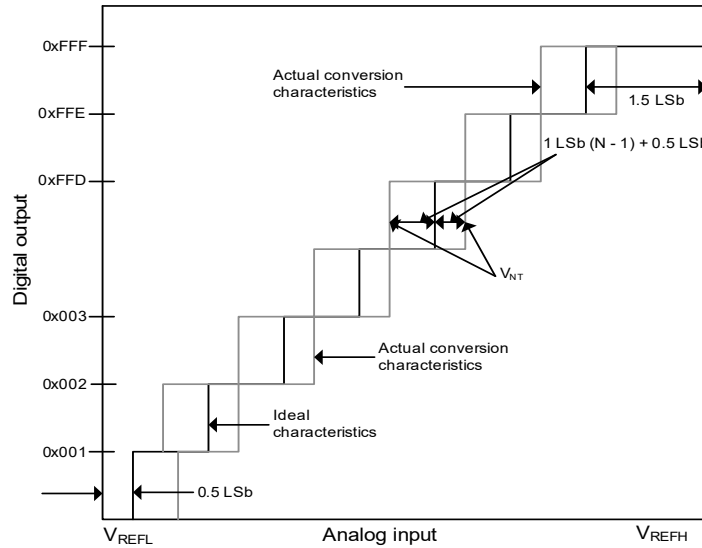
Note

46. If longer pulse suppression width is required, use Smart I/O.

26.7 Analog Peripherals

26.7.1 SAR ADC

Figure 26-4.ADC Characteristics and Error Definitions



$$\text{Total error of digital output } N = (V_{NT} \{1 \text{ LSB} \times (N - 1) + 0.5 \text{ LSB}\}) / 1 \text{ LSB} \quad [\text{LSb}]$$

$$1 \text{ LSB (Ideal value)} = (V_{REFH} - V_{REFL}) / 4096 \quad [\text{V}]$$

N: A/D converter digital output value
 V_{ZT} (Ideal value): $V_{REFL} + 0.5 \text{ LSB}$ [V]
 V_{FST} (Ideal value): $V_{REFH} - 1.5 \text{ LSB}$ [V]
 V_{NT} : Voltage at which the digital output changes from $N - 1$ to N

Table 26-7. 12-Bit SAR ADC DC Specifications

Spec ID	Parameter	Description	Min	Typ	Max	Units	Details/Conditions
SID100	A_RES	SAR ADC resolution	–	–	12	bits	
SID101	A_VINS	Input voltage range	V_{REFL}	–	V_{REFH}	V	
SID102	A_VREFH	V_{REFH} voltage range	2.7	–	V_{DDA}	V	ADC performance degrades when high reference is higher than supply
SID103	A_VREFL	V_{REFL} voltage range	V_{SSA}	–	V_{SSA}	V	ADC performance degrades when low reference is lower than ground
SID19A	CLAMP_COUPLING_RATIO_POS	Ratio of current collected on a pin to the positive current injected into a neighboring pin	–	–	0.25	%	
SID19B	CLAMP_COUPLING_RATIO_NEG	Ratio of current collected on a pin to the negative current injected into a neighboring pin	–	–	1.2	%	
SID19C	R_CLAMP_INTERNAL	Internal pin resistance to current collection point	–	–	50	Ω	

26.7.2 Calculating the Impact of Neighboring Pins

The three ADC specifications based on SID19A, SID19B, and SID19C, can be used to calculate the pin leakage and resulting ADC offset caused by injection current using the below formula:

$$I_{LEAK} = I_{INJECTED} \times CLAMP_COUPLING_RATIO$$

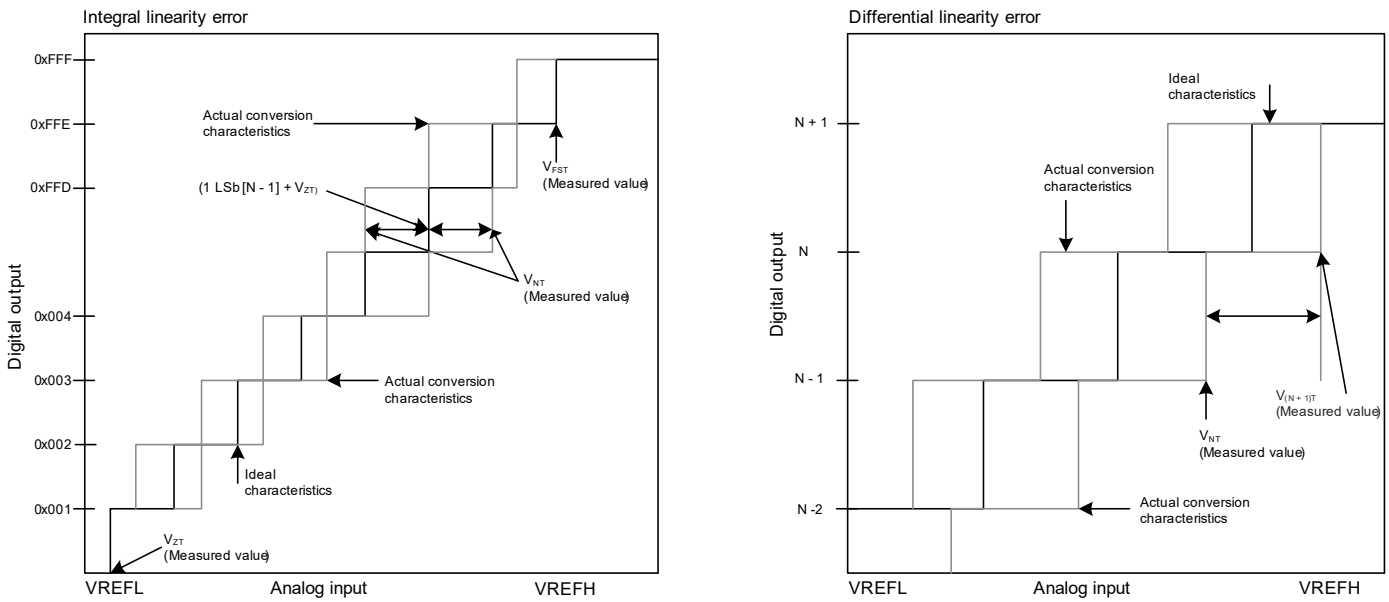
$$V_{ERROR} = I_{LEAK} \times (R_{CLAMP_INTERNAL} + R_{SOURCE})$$

$$Code\ Error = V_{ERROR} \times 2^{12} / V_{REF}$$

Where:

- $I_{INJECTED}$ is the injected current in mA.
- I_{LEAK} is the calculated leakage current in mA.
- V_{ERROR} is the voltage error calculated due to leakage currents in V.
- V_{REF} is the ADC reference voltage in V.

Figure 26-5. Integral and Differential Linearity Errors



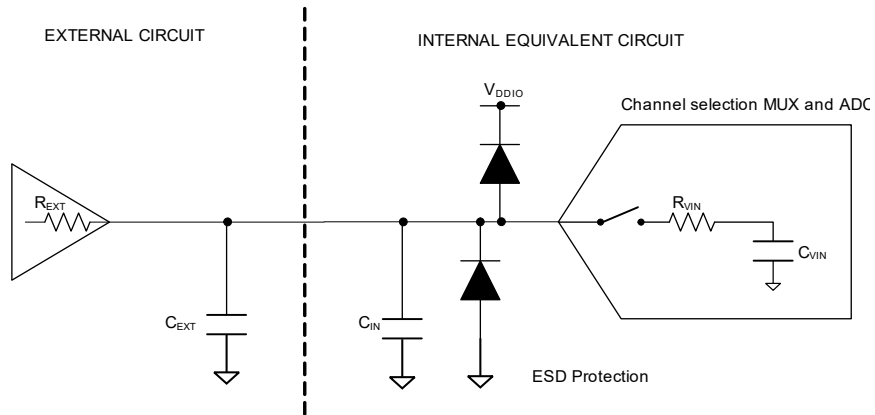
Integral linearity error of digital output N = $(V_{NT} - \{1\text{ LSb} \times (N - 1) + V_{ZT}\}) / 1\text{ LSb}$ [LSb]

Differential linearity error of digital output N = $(V_{(N+1)T} - V_{NT} - 1\text{ LSb}) / 1\text{ LSb}$ [LSb]

1 LSb = $(V_{FST} - V_{ZT}) / 4094$ [V]

V_{ZT} : Voltage for which digital output changes from 0x000 to 0x001
 V_{FST} : Voltage for which digital output changes from 0xFFE to 0xFFFF.

Figure 26-6.ADC Equivalent Circuit for Analog Input



R_{EXT} : Source impedance
 C_{EXT} : On-PCB capacitance
 C_{IN} : I/O pad or Input capacitance
 R_{VIN} : ADC equivalent input resistance
 C_{VIN} : ADC equivalent input capacitance
 K : Constant for sampling accuracy $K = \ln(\text{abs}(4096/\text{LSb}_{\text{SAMPLE}}))$

Sampling Time (t_{SAMPLE}) requirement is shown in the following equation
 $t_{\text{SAMPLE}} > K \times \{ C_{VIN} \times (R_{VIN} + R_{EXT}) + (C_{IN} + C_{EXT}) \times (R_{EXT}) \}$ [seconds]

$K = \text{value of } 9.0 \text{ is recommended to get } \pm 0.5 \text{ LSB sampling accuracy at } 12\text{-bit } (\text{LSb}_{\text{SAMPLE}} = \pm 0.5)$

Table 26-8. SAR ADC AC Specifications

Spec ID	Parameter	Description	Min	Typ	Max	Units	Details/Conditions
SID104	V_{ZT}	Zero transition voltage	-20	-	20	mV	$V_{DDA} = 2.7 \text{ V to } 5.5 \text{ V}$, $-40^\circ\text{C} \leq T_A \leq 125^\circ\text{C}$ before offset adjustment
SID105	V_{FST}	Full-scale transition voltage	-20	-	20	mV	$V_{DDA} = 2.7 \text{ V to } 5.5 \text{ V}$, $-40^\circ\text{C} \leq T_A \leq 125^\circ\text{C}$ before offset adjustment
SID114	f_{ADC_4P5}	ADC operating frequency	2	-	26.67	MHz	$4.5 \text{ V} \leq V_{DDA} \leq 5.5 \text{ V}$
SID114A	f_{ADC_2P7}	ADC operating frequency	2	-	13.34	MHz	$2.7 \text{ V} \leq V_{DDA} < 4.5 \text{ V}$
SID113	t_{S_4P5}	Analog input sample time	412	-	-	ns	$4.5 \text{ V} \leq V_{DDA} \leq 5.5 \text{ V}$ Guaranteed by design
SID113A	t_{S_2P7}	Analog input sample time	600	-	-	ns	$2.7 \text{ V} \leq V_{DDA} < 4.5 \text{ V}$ Guaranteed by design
SID113B	$t_{S_DR_4P5}$	Analog input sample time when input is from diagnostic reference	2	-	-	μs	$4.5 \text{ V} \leq V_{DDA} \leq 5.5 \text{ V}$ Guaranteed by design
SID113C	$t_{S_DR_2P7}$	Analog input sample time when input is from diagnostic reference	2.5	-	-	μs	$2.7 \text{ V} \leq V_{DDA} < 4.5 \text{ V}$ Guaranteed by design
SID106	t_{ST_4P5}	Max throughput (Sample per second)	-	-	1	Msp/s	$4.5 \text{ V} \leq V_{DDA} \leq 5.5 \text{ V}$, $80 \text{ MHz} / 3 = 26.67 \text{ MHz}$, 11 sampling cycles, 15 conversion cycles
SID106A	t_{ST_2P7}	Max throughput (Sample per second)	-	-	0.5	Msp/s	$2.7 \text{ V} \leq V_{DDA} < 4.5 \text{ V}$ $80 \text{ MHz} / 6 = 13.3 \text{ MHz}$, 11 sampling cycles, 15 conversion cycles
SID107	C_{VIN}	ADC input sampling capacitance	-	-	4.8	pF	Guaranteed by design

Table 26-8. SAR ADC AC Specifications (continued)

Spec ID	Parameter	Description	Min	Typ	Max	Units	Details/Conditions
SID108	R _{VIN1}	Input path ON resistance (4.5 V to 5.5 V)	–	–	9.4	kΩ	Guaranteed by design
SID108A	R _{VIN2}	Input path ON resistance (2.7 V to 4.5 V)	–	–	13.9	kΩ	Guaranteed by design
SID108B	R _{DREF1}	Diagnostic path ON resistance (4.5 V to 5.5 V)	–	–	40	kΩ	Guaranteed by design
SID108C	R _{DREF2}	Diagnostic path ON resistance (2.7 V to 4.5 V)	–	–	50	kΩ	Guaranteed by design
SID119	ACC_RLAD	Diagnostic reference resistor ladder accuracy	–4	–	4	%	
SID109	A_TE	Total error	–5	–	5	LSb	V _{DDA} = V _{REFH} = 2.7 V to 5.5 V, V _{REFL} = V _{SSA} –40 °C ≤ T _A ≤ 125 °C Total error after offset and gain adjustment at 12 bit resolution mode
SID109A	A_TEB	Total error	–12	–	12	LSb	V _{DDA} = V _{REFH} = 2.7 V to 5.5 V, V _{REFL} = V _{SSA} –40 °C ≤ T _A ≤ 125 °C Total error before offset and gain adjustment at 12 bit resolution mode
SID110	A_INL	Integral nonlinearity	–2.5	–	2.5	LSb	V _{DDA} = 2.7 V to 5.5 V, –40 °C ≤ T _A ≤ 125 °C
SID111	A_DNL	Differential nonlinearity	–0.99	–	1.9	LSb	V _{DDA} = 2.7 V to 5.5 V, –40 °C ≤ T _A ≤ 125 °C
SID112	A_CE	Channel-to-channel variation (for channels connected to same ADC)	–1	–	1	LSb	V _{DDA} = 2.7 V to 5.5 V, –40 °C ≤ T _A ≤ 125 °C
SID115	I _{AIC}	Analog input leakage current	–350	70	350	nA	When input pad is selected for conversion
SID116	I _{DIAGREF}	Diagnostic reference current	–	–	70	μA	
SID117	I _{VDDA}	Analog power supply current while ADC is operating	–	360	550	μA	Per enabled ADC
SID117A	I _{VDDA_DS}	Analog power supply current while ADC is not operating	–	–	21	μA	Per enabled ADC
SID118	I _{VREF}	Analog reference voltage current while ADC is operating	–	360	550	μA	Per enabled ADC
SID118A	I _{VREF_LEAK}	Analog reference voltage current while ADC is not operating	–	1.8	5	μA	Per enabled ADC

26.7.3 Temperature Sensor

Table 26-9. Temperature Sensor Specifications

Spec ID	Parameter	Description	Min	Typ	Max	Units	Details/Conditions
SID200	T _{SENSACC1}	Temperature sensor accuracy 1	-2	-	2	°C	T _J = 150 °C This spec is valid for the following conditions: a. 3.0 V ≤ V _{DDD} = V _{DDA} = V _{REFH} ≤ 3.6 V or b. 4.5 V ≤ V _{DDD} = V _{DDA} = V _{REFH} ≤ 5.5 V
SID201	T _{SENSACC2}	Temperature sensor accuracy 2	-5	-	5	°C	-40 °C ≤ T _J < 150 °C This spec is valid for the following conditions: a. 3.0 V ≤ V _{DDD} = V _{DDA} = V _{REFH} ≤ 3.6 V or b. 4.5 V ≤ V _{DDD} = V _{DDA} = V _{REFH} ≤ 5.5 V
SID201A	T _{SENSACC3}	Temperature sensor accuracy 3	-10	-	10	°C	-40 °C ≤ T _J ≤ 150 °C This spec is valid for the following conditions except SID201 conditions: 2.7 V ≤ V _{DDD} ≤ 5.5 V and 2.7 V ≤ V _{DDA} = V _{REFH} ≤ 5.5 V

26.7.4 Voltage Divider Accuracy

Table 26-10. Voltage Divider Accuracy

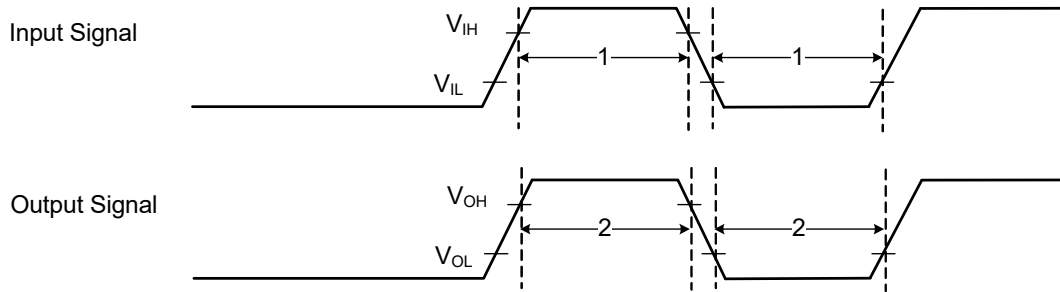
Spec ID	Parameter	Description	Min	Typ	Max	Units	Details/Conditions
SID202	V _{MONDIV}	Uncorrected monitor voltage divider accuracy (measured by ADC), compared to ideal supply/2	-20	2	20	%	Any HV supply pad within 2.7-V–5.5-V operating range

26.8 Digital Peripherals
Table 26-11. Timer/Counter/PWM (TCPWM) Specifications

Spec ID	Parameter	Description	Min	Typ	Max	Units	Details/Conditions
SID120	f _C	TCPWM operating frequency	-	-	100	MHz	f _C = peripheral clock
SID121	t _{PWMENEXT}	Input trigger pulse width for all trigger events	2 / f _C	-	-	ns	Trigger Events can be Stop, Start, Reload, Count, Capture, or Kill depending on which mode of operation is selected.
SID122	t _{PWMEXT}	Output trigger pulse widths	2 / f _C	-	-	ns	Minimum possible width of Overflow, Underflow, and Counter = Compare (CC) value trigger outputs
SID123	t _{CRES}	Resolution of counter	1 / f _C	-	-	ns	Minimum time between successive counts
SID124	t _{PWMRES}	PWM resolution	1 / f _C	-	-	ns	Minimum pulse width of PWM output
SID125	t _{QRES}	Quadrature inputs resolution	2 / f _C	-	-	ns	Minimum pulse width between Quadrature phase inputs.

Figure 26-7.TCPWM Timing Diagrams

TCPWM Timing Diagrams



- 1: $t_{PWMEEXT}$, t_{QRES}
- 2: $t_{PWMEEXT}$

Table 26-12. Serial Communication Block (SCB) Specifications

Spec ID	Parameter	Description	Min	Typ	Max	Units	Details/Conditions
SID129	f _{SCB}	SCB operating frequency	–	–	100	MHz	
I²C Interface-Standard-mode							
SID130	f _{SCL}	SCL clock frequency	–	–	100	kHz	
SID131	t _{HD;STA}	Hold time, START condition	4000	–	–	ns	
SID132	t _{LOW}	Low period of SCL	4700	–	–	ns	
SID133	t _{HIGH}	High period of SCL	4000	–	–	ns	
SID134	t _{SU;STA}	Setup time for a repeated START	4700	–	–	ns	
SID135	t _{HD;DAT}	Data hold time, for receiver	0	–	–	ns	
SID136	t _{SU;DAT}	Data setup time	250	–	–	ns	
SID138	t _F	Fall time of SCL and SDA	–	–	300	ns	Input and output
SID139	t _{SU;STO}	Setup time for STOP	4000	–	–	ns	
SID140	t _{BUF}	Bus-free time between START and STOP	4700	–	–	ns	
SID141	C _B	Capacitive load for each bus line	–	–	400	pF	
SID142	t _{VD;DAT}	Time for data signal from SCL LOW to SDA output	–	–	3450	ns	
SID143	t _{VD;ACK}	Data valid acknowledge time	–	–	3450	ns	
SID144	V _{OL}	LOW level output voltage	0	–	0.4	V	Open-drain at 3 mA sink current
SID145	I _{OL}	LOW level output current	3	–	–	mA	V _{OL} = 0.4 V
I²C Interface-Fast-mode							
SID150	f _{SCL_F}	SCL clock frequency	–	–	400	kHz	
SID151	t _{HD;STA_F}	Hold time, START condition	600	–	–	ns	
SID152	t _{LOW_F}	Low period of SCL	1300	–	–	ns	
SID153	t _{HIGH_F}	High period of SCL	600	–	–	ns	
SID154	t _{SU;STA_F}	Setup time for a repeated START	600	–	–	ns	
SID155	t _{HD;DAT_F}	Data hold time, for receiver	0	–	–	ns	
SID156	t _{SU;DAT_F}	Data setup time	100	–	–	ns	
SID158	t _{F_F}	Fall time of SCL and SDA	20 × (V _{DD} / 5.5)	–	300	ns	Input and output, GPIO_ENH: slow mode, 400 pF load
SID158A	t _{FA_F}	Fall time of SCL and SDA	0.35	–	300	ns	Input and output GPIO_STD: drive_sel<1:0>= 0b00 MIN: 10 pF load, RPU = 35.41 kΩ MAX: 400 pF load, RPU = 350 Ω
SID159	t _{SU;STO_F}	Setup time for STOP	600	–	–	ns	Input and output
SID160	t _{BUF_F}	Bus free time between START and STOP	1300	–	–	ns	
SID161	C _{B_F}	Capacitive load for each bus line	–	–	400	pF	
SID162	t _{VD;DAT_F}	Time for data signal from SCL LOW to SDA output	–	–	900	ns	
SID163	t _{VD;ACK_F}	Data valid acknowledge time	–	–	900	ns	

Table 26-12. Serial Communication Block (SCB) Specifications (continued)

Spec ID	Parameter	Description	Min	Typ	Max	Units	Details/Conditions
SID164	t _{SP_F}	Pulse width of spikes that must be suppressed by the input filter	–	–	50	ns	
SID165	V _{OL_F}	LOW level output voltage	0	–	0.4	V	Open-drain at 3 mA sink current
SID165	I _{OL_F}	LOW level output current	3	–	–	mA	V _{OL} = 0.4 V
SID167	I _{OL2_F}	LOW level output current	6	–	–	mA	V _{OL} = 0.6 V ^[47]
I²C Interface-Fast-Plus mode							
SID170	f _{SCL_FP}	SCL clock frequency	–	–	1	MHz	
SID171	t _{HD;STA_FP}	Hold time, START condition	260	–	–	ns	
SID172	t _{LOW_FP}	Low period of SCL	500	–	–	ns	
SID173	t _{HIGH_FP}	High period of SCL	260	–	–	ns	
SID174	t _{SU;STA_FP}	Setup time for a repeated START	260	–	–	ns	
SID175	t _{HD;DAT_FP}	Data hold time, for receiver	0	–	–	ns	
SID176	t _{SU;DAT_FP}	Data setup time	50	–	–	ns	
SID178	t _{F_FP}	Fall time of SCL and SDA	20 × (V _{DD} /5.5)	–	160	ns	Input and output 20-pF load GPIO_ENH: slow mode
SID179	t _{SU;STO_FP}	Setup time for STOP	260	–	–	ns	Input and output
SID180	t _{BUF_FP}	Bus free time between START and STOP	500	–	–	ns	
SID181	C _{B_FP}	Capacitive load for each bus line	–	–	20	pF	
SID182	t _{VD;DAT_FP}	Time for data signal from SCL LOW to SDA output	–	–	450	ns	
SID183	t _{VD;ACK_FP}	Data valid acknowledge time	–	–	450	ns	
SID184	t _{SP_FP}	Pulse width of spikes that must be suppressed by the input filter	–	–	50	ns	
SID186	V _{OL_FP}	LOW level output voltage	0	–	0.4	V	Open-drain at 3 mA sink current
SID187	I _{OL_FP}	LOW level output current	3	–	–	mA	V _{OL} = 0.4 V ^[48]
SPI Interface Master (Full-clock mode: LATE_MISO_SAMPLE = 1) [Conditions: drive_sel<1:0>= 0x]							
SID190	f _{SPI}	SPI operating frequency	–	–	12.5	MHz	Do not use half-clock mode: LATE_MISO_SAMPLE = 0
SID191	t _{D_{MO}}	SPI Master: MOSI valid after SCLK driving edge	–	–	15	ns	
SID192	t _{D_{SI}}	SPI Master: MISO valid before SCLK capturing edge	40	–	–	ns	
SID193	t _{H_{MO}}	SPI Master: Previous MOSI data hold time	0	–	–	ns	

Notes

47. In order to drive full bus load at 400 kHz, 6 mA I_{OL} is required at 0.6 V V_{OL}.

48. In order to drive full bus load at 1 MHz, 20 mA I_{OL} is required at 0.4 V V_{OL}. However, this device does not support it.

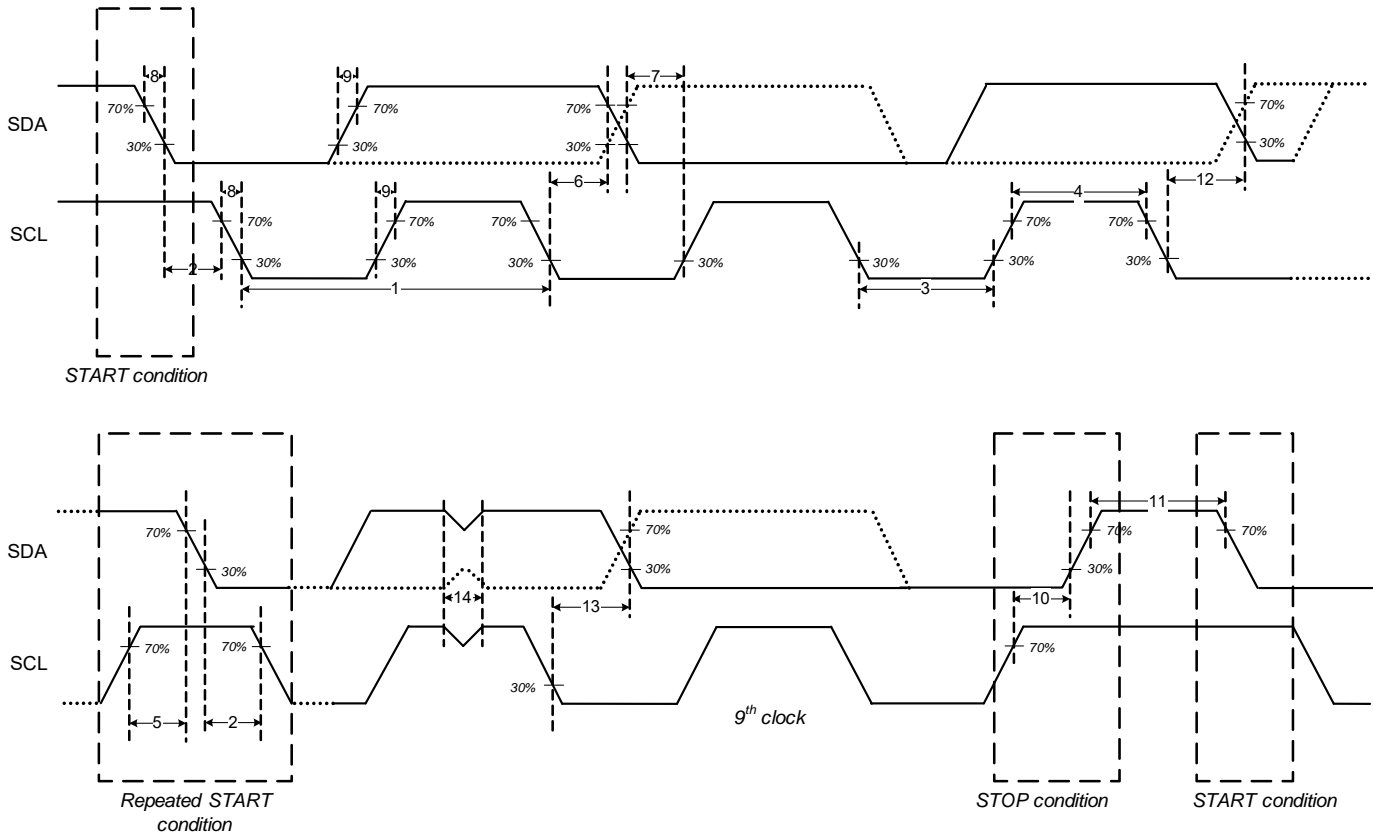
Table 26-12. Serial Communication Block (SCB) Specifications *(continued)*

Spec ID	Parameter	Description	Min	Typ	Max	Units	Details/Conditions
SID194	t _{W_SCLK_H_L}	SPI SCLK pulse width HIGH or LOW	–	0.4 × (1 / f _{SPI})	–	ns	
SID196	t _{DHI}	SPI Master: MISO hold time after SCLK capturing edge	0	–	–	ns	
SID198	t _{EN_SETUP}	SSEL valid, before the first SCK capturing edge	0.5 × (1/f _{SPI})	–	–	ns	Min is half clock period
SID199	t _{EN_HOLD}	SSEL hold, after the last SCK capturing edge	0.5 × (1/f _{SPI})	–	–	ns	Min is half clock period
SID195	C _{SPIM_MS}	SPI capacitive load	–	–	10	pF	
SPI Interface Slave (internally clocked) [Conditions: drive_sel<1:0>= 0x]							
SID205	f _{SPI_INT}	SPI operating frequency	–	–	10	MHz	
SID206	t _{DMI_INT}	SPI Slave: MOSI Valid before Sclock capturing edge	5	–	–	ns	
SID207	t _{DSO_INT}	SPI Slave: MISO Valid after Sclock driving edge, in the internal-clocked mode	–	–	62	ns	
SID208	t _{HSP}	SPI Slave: Previous MISO data hold time	3	–	–	ns	
SID209	t _{EN_SETUP_INT}	SPI Slave: SSEL valid to first SCK valid edge	33	–	–	ns	
SID210	t _{EN_HOLD_INT}	SPI Slave Select active (LOW) from last SCLK hold	33	–	–	ns	
SID211	t _{EN_SETUP_PRE}	SPI Slave: from SSEL valid, to SCK falling edge before the first data bit	20	–	–	ns	
SID212	t _{EN_HOLD_PRE}	SPI Slave: from SCK falling edge before the first data bit, to SSEL invalid	20	–	–	ns	
SID213	t _{EN_SETUP_CO}	SPI Slave: from SSEL valid, to SCK falling edge in the first data bit	20	–	–	ns	
SID214	t _{EN_HOLD_CO}	SPI Slave: from SCK falling edge in the first data bit, to SSEL invalid	20	–	–	ns	
SID215	t _{W_DIS_INT}	SPI Slave Select inactive time	40	–	–	ns	
SID216	t _{W_SCLKH_INT}	SPI SCLK pulse width HIGH	20	–	–	ns	
SID217	t _{W_SCLKL_INT}	SPI SCLK pulse width LOW	20	–	–	ns	
SID218	t _{SIH_INT}	SPI MOSI hold from SCLK	12	–	–	ns	
SID219	C _{SPIS_INT}	SPI capacitive load	–	–	10	pF	
SPI Interface Slave (externally clocked) [Conditions: drive_sel<1:0>= 0x]							
SID220	f _{SPI_EXT}	SPI operating frequency	–	–	12.5	MHz	
SID221	t _{DMI_EXT}	SPI Slave: MOSI Valid before Sclock capturing edge	5	–	–	ns	
SID222	t _{DSO_EXT}	SPI Slave: MISO Valid after Sclock driving edge, in the external-clocked mode	–	–	32	ns	
SID223	t _{HSO_EXT}	SPI Slave: Previous MISO data hold time	3	–	–	ns	
SID224	t _{EN_SETUP_EXT}	SPI Slave: SSEL valid to first SCK valid edge	40	–	–	ns	

Table 26-12. Serial Communication Block (SCB) Specifications *(continued)*

Spec ID	Parameter	Description	Min	Typ	Max	Units	Details/Conditions
SID225	$t_{EN_HOLD_EXT}$	SPI Slave Select active (LOW) from last SCLK hold	40	–	–	ns	
SID226	$t_{W_DIS_EXT}$	SPI Slave Select inactive time	80	–	–	ns	
SID227	$t_{W_SCLKH_EXT}$	SPI SCLK pulse width HIGH	34	–	–	ns	
SID228	$t_{W_SCLKL_EXT}$	SPI SCLK pulse width LOW	34	–	–	ns	
SID229	t_{SIH_EXT}	SPI MOSI hold from SCLK	20	–	–	ns	
SID230	C_{SPIS_EXT}	SPI capacitive load	–	–	10	pF	
SID231	t_{VSS_EXT}	SPI Slave: MISO valid after SSEL falling edge (CPHA = 0)	–	–	33	ns	
UART Interface							
SID240	f_{BPS}	Data rate	–	–	10	Mbps	

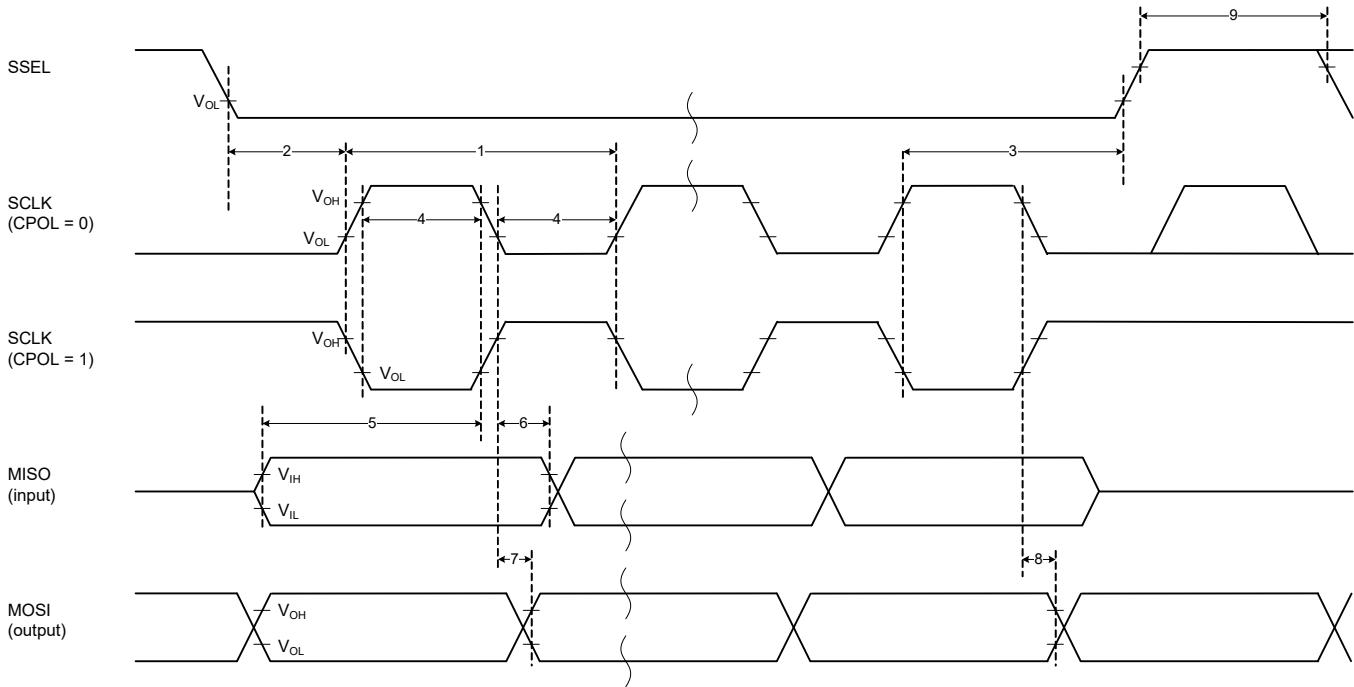
Figure 26-8. I²C Timing Diagrams



- 1: SCL clock period = $1/f_{SCL}$
- 2: Hold time, START condition = $t_{HD,STA}$
- 3: LOW period of SCL = t_{LOW}
- 4: HIGH period of SCL = t_{HIGH}
- 5: Setup time for a repeated START = $t_{SU,STA}$
- 6: Data hold time, for receiver = $t_{HD,DAT}$
- 7: Data setup time = $t_{SU,DAT}$
- 8: Fall time of SCL and SDA = t_F
- 9: Rise time of SCL and SDA = t_R
- 10: Setup time for STOP = $t_{SU,STO}$
- 11: Bus-free time between START and STOP = t_{BUF}
- 12: Time for data signal from SCL LOW to SDA output = $t_{VD,DAT}$
- 13: Data valid acknowledge time = $t_{VD,ACK}$
- 14: Pulse width of spikes that must be suppressed by the input filter = t_{SP}

Figure 26-9.SPI Master Timing Diagrams with LOW Clock Phase

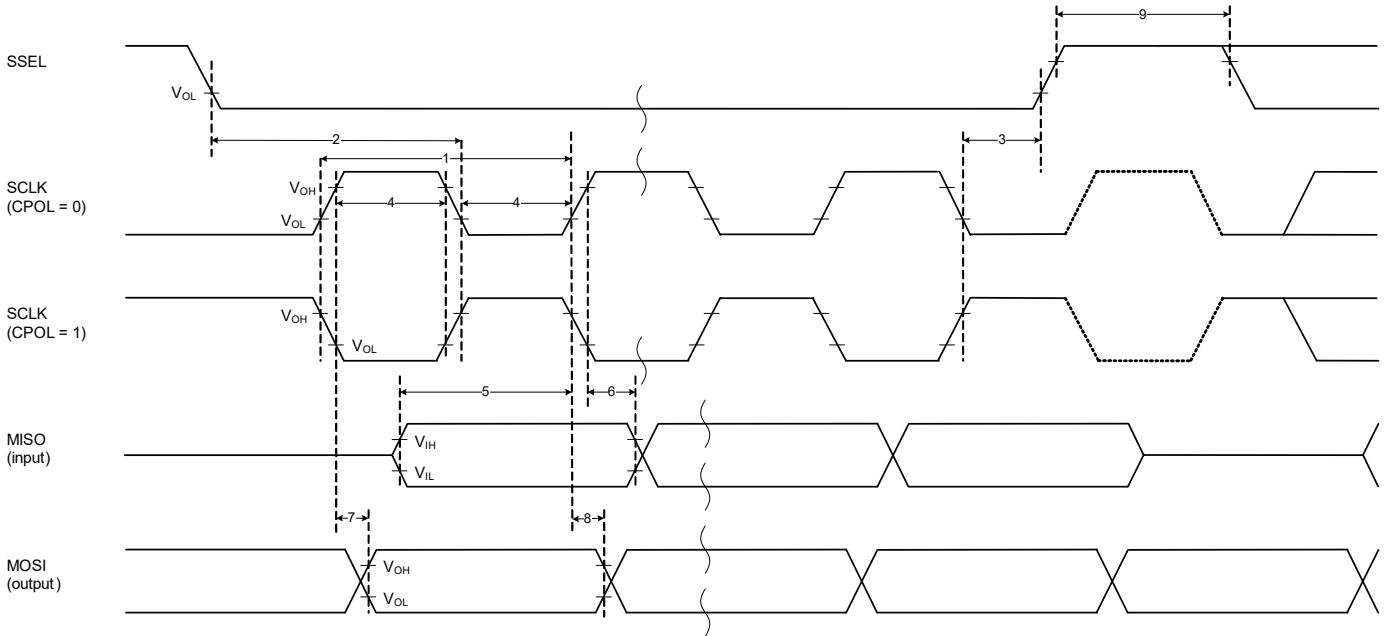
SPI Master Timing Diagrams (LATE_MISO_SAMPLE = 1)
CPHA = 0



- 1: SCLK period = $1 / f_{SPI}$
- 2: Enable lead time (setup) = t_{EN_SETUP} = Depends on SPI_CTRL.SSEL_SETUP_DEL (Refer to the Register TRM)
- 3: Enable trail time (hold) = t_{EN_HOLD} = Depends on SPI_CTRL.SSEL_HOLD_DEL (Refer to the Register TRM)
- 4: SCLK high or low time = $t_{W_SCLK_H_L}$
- 5: Input data setup time = t_{DSI}
- 6: Input data hold time = t_{DHI}
- 7: Output data valid after SCLK driving edge = t_{DMO}
- 8: Output data hold time = t_{HMO}
- 9: SSEL high pulse width = Depends on SPI_CTRL.SSEL_INTER_FRAME_DEL (Refer to the Register TRM)

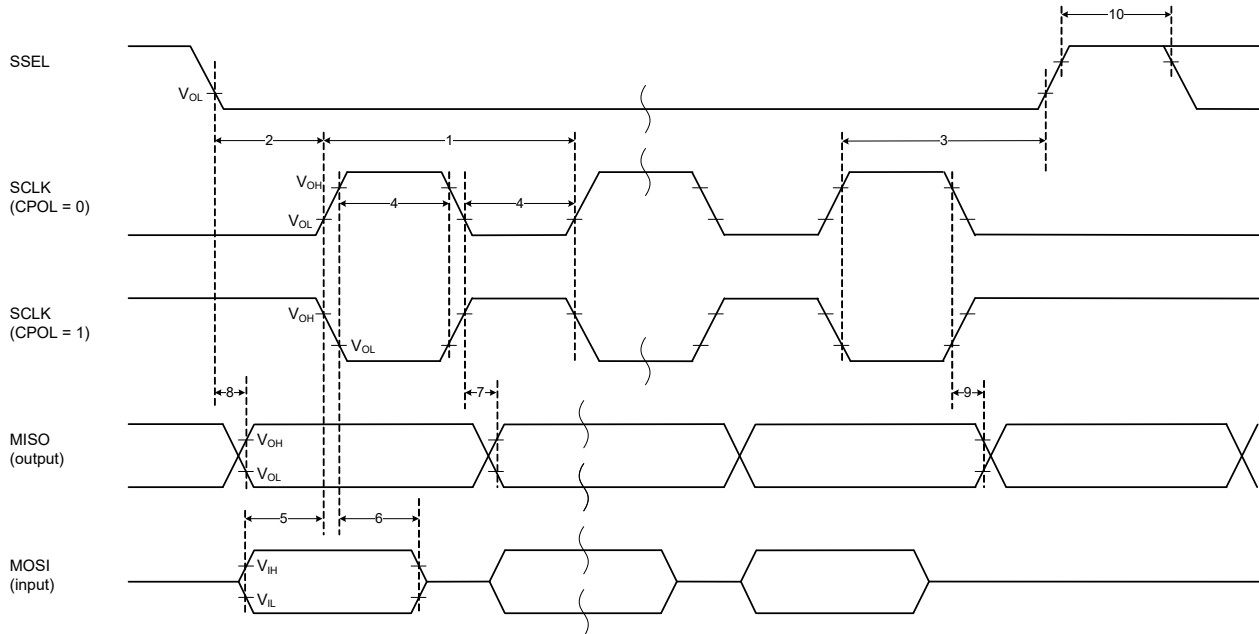
Figure 26-10.SPI Master Timing Diagrams with HIGH Clock Phase

SPI Master Timing Diagrams (LATE_MISO_SAMPLE = 1)
CPHA = 1



- 1: SCLK period = $1 / f_{SPI}$
- 2: Enable lead time (setup) = t_{EN_SETUP} = Depends on SPI_CTRL.SSEL_SETUP_DEL (Refer to the Register TRM)
- 3: Enable trail time (hold) = t_{EN_HOLD} = Depends on SPI_CTRL.SSEL_HOLD_DEL (Refer to the Register TRM)
- 4: SCLK high or low time = $t_{W_SCLK_H_L}$
- 5: Input data setup time = t_{DSI}
- 6: Input data hold time = t_{HDI}
- 7: Output data valid after SCLK driving edge = t_{DMO}
- 8: Output data hold time = t_{HMO}
- 9: SSEL high pulse width = Depends on SPI_CTRL.SSEL_INTER_FRAME_DEL (Refer to the Register TRM)

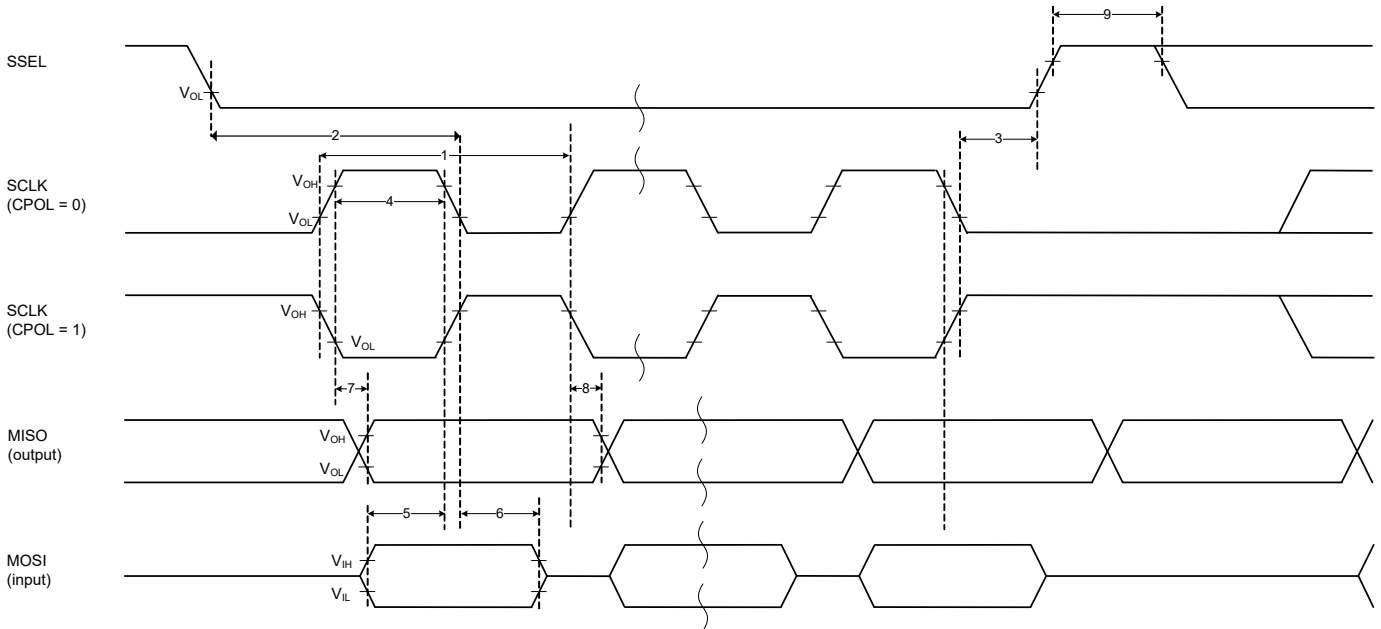
Figure 26-11. SPI Slave Timing Diagrams with LOW Clock Phase

 SPI Slave Timing Diagrams
 CPHA = 0


- 1: SCLK period = $1 / f_{\text{SPI_EXT}}$
- 2: enable lead time (setup) = $t_{\text{EN_SETUP_EXT}}$
- 3: enable trail time (hold) = $t_{\text{EN_HOLD_EXT}}$
- 4: SCLK high or low time = $t_{\text{w_SCLKH_EXT}} = t_{\text{w_SCLKL_EXT}}$
- 5: input data setup time = $t_{\text{DML_EXT}}$
- 6: input data hold time = $t_{\text{SIH_EXT}}$
- 7: output data valid after SCLK driving edge = $t_{\text{DSO_EXT}}$
- 8: output data valid after SSEL falling edge (CPHA = 0) = $t_{\text{VSS_EXT}}$
- 9: output data hold time = t_{HSO}
- 10: SSEL high pulse width = $t_{\text{DIS_EXT}}$

Figure 26-12. SPI Slave Timing Diagrams with HIGH Clock Phase

SPI slave Timing Diagrams
CPHA = 1



- 1: SCLK period = $1 / f_{SPL_EXT}$
- 2: enable lead time (setup) = $t_{EN_SETUP_EXT}$
- 3: enable trail time (hold) = $t_{EN_HOLD_EXT}$
- 4: SCLK high or low time = $t_{w_SCLKH_EXT} = t_{w_SCLKL_EXT}$
- 5: input data setup time = t_{DMI_EXT}
- 6: input data hold time = t_{SIH_EXT}
- 7: output data valid after SCLK driving edge = t_{DSO_EXT}
- 8: output data hold time = t_{HSO}
- 9: SSEL high pulse width = t_{DIS_EXT}

26.8.1 LIN Specifications

Table 26-13. LIN Specifications

Spec ID	Parameter	Description	Min	Typ	Max	Units	Details/Conditions
SID249	f_{LIN}	Internal clock frequency to the LIN block	–	–	100	MHz	
SID250	BR_NOM	Bit rate on the LIN bus	1	–	20	kbps	Guaranteed by design
SID250A	BR_REF	Bit rate on the LIN bus (not in standard LIN specification) for re-flashing in LIN slave mode	1	–	115.2	kbps	Guaranteed by design

26.8.2 CAN FD Specifications

Table 26-14. CAN FD Specifications

Spec ID	Parameter	Description	Min	Typ	Max	Units	Details/Conditions
SID630	f_{HCLK}	System clock frequency	–	–	100	MHz	$f_{cclk} \leq f_{hclk}$, Guaranteed by design
SID631	f_{CCLK}	CAN clock frequency	–	–	100	MHz	$f_{cclk} \leq f_{hclk}$, Guaranteed by design

26.9 Memory
Table 26-15. Flash DC Specifications

Spec ID	Parameter	Description	Min	Typ	Max	Units	Details/Conditions
SID260	V _{PE}	Erase and program voltage	2.7	–	5.5	V	

Table 26-16. Flash AC Specifications

Spec ID	Parameter	Description	Min	Typ	Max	Units	Details/Conditions
SID257	f _{FO}	Maximum flash memory operation frequency	–	–	100	MHz	Zero wait access to code-flash memory up to 100 MHz Zero wait access with cache hit up to 160 MHz
SID254	t _{ERS_SUS}	Maximum time from erase suspend command till erase is indeed suspend	–	–	37.5	µs	
SID255	t _{ERS_RES_SUS}	Minimum time allowed from erase resume to erase suspend	250	–	–	µs	Guaranteed by design
SID258	t _{BC_WF}	Blank check time for N-bytes of work-flash	–	–	10 + 0.3 × N	µs	At 100 MHz, N ≥ 4 and multiple of 4, excludes system overhead time
SID259	t _{SECTORERASE1}	Sector erase time (Code-flash: 32 KB)	–	45	90	ms	Includes internal preprogramming time
SID259A	t _{SECTORERASE2}	Sector erase time (Code-flash: 8 KB)	–	15	30	ms	Includes internal preprogramming time
SID261	t _{SECTORERASE3}	Sector erase time (Work-flash, 2 KB)	–	80	160	ms	Includes internal preprogramming time
SID262	t _{SECTORERASE4}	Sector erase time (Work-flash, 128 bytes)	–	5	15	ms	Includes internal preprogramming time
SID263	t _{WRITE1}	64-bit write time (Code-flash)	–	30	60	µs	Excludes system overhead time
SID264	t _{WRITE2}	256-bit write time (Code-flash)	–	40	70	µs	Excludes system overhead time
SID265	t _{WRITE3}	4096-bit write time (Code-flash) ^[49]	–	320	1200	µs	Excludes system overhead time
SID266	t _{WRITE4}	32-bit write time (Work-flash)	–	30	60	µs	Excludes system overhead time
SID267	t _{FRET1}	Code-flash retention. 1000 program/erase cycles	20	–	–	years	T _A (power on and off) ≤ 85 °C average
SID268	t _{FRET3}	Work-flash retention. 125,000 program/erase cycles	20	–	–	years	T _A (power on and off) ≤ 85 °C average
SID269	t _{FRET4}	Work-flash retention. 250,000 program/erase cycles	10	–	–	years	T _A (power on and off) ≤ 85 °C average
SID612	I _{CC_ACT2}	Program operating current (Code or Work-flash)	–	15	48	mA	V _{DDD} = 5 V Guaranteed by design
SID613	I _{CC_ACT3}	Erase operating current (Code or Work-flash)	–	15	48	mA	V _{DDD} = 5 V Guaranteed by design

Note

49. The code-flash includes a 'Write Buffer' of 4096-bit. If the application software writes this buffer multiple times, to get the overall write time multiply one sector write time with the corresponding factor (say for factor 64, example, 64 x 512 B = 32 KB [one sector])

26.10 System Resources
Table 26-17. System Resources

Spec ID	Parameter	Description	Min	Typ	Max	Units	Details/ Conditions
Power-On-Reset Specifications							
SID270	V _{POR_R}	V _{DDD} rising voltage to de assert POR	1.5	–	2.35	V	Guaranteed by design
SID276	V _{POR_F}	V _{DDD} falling voltage to assert POR	1.45	–	2.1	V	
SID271	V _{POR_H}	Level detection hysteresis	20	–	300	mV	Guaranteed by design
SID272	t _{DLY_POR}	Delay between V _{DDD} rising through 2.3 V and an internal deassertion of POR	–	–	3	µs	Guaranteed by design
SID273	t _{POFF}	V _{DDD} Power off time	100	–	–	µs	V _{DDD} < 1.45 V
SID274	POR_RR1	V _{DDD} power ramp rate with robust BOD (BOD operation is guaranteed)	–	–	100	mV/µs	This ramp supports robust BOD
SID275	POR_RR2	V _{DDD} power ramp rate without robust BOD	–	–	1000	mV/µs	This ramp does not support robust BOD t _{POFF} must be satisfied
High-Voltage BOD (HV BOD) Specifications							
SID500	V _{TR_2P7_R}	HV BOD 2.7 V rising detection point for V _{DDD} and V _{DDA} (default)	2.474	2.55	2.627	V	
SID501	V _{TR_2P7_F}	HV BOD 2.7 V falling detection point for V _{DDD} and V _{DDA} (default)	2.449	2.525	2.601	V	
SID502	V _{TR_3P0_R}	HV BOD 3.0 V rising detection point for V _{DDD} and V _{DDA}	2.765	2.85	2.936	V	
SID503	V _{TR_3P0_F}	HV BOD 3.0 V falling detection point for V _{DDD} and V _{DDA}	2.74	2.825	2.91	V	
SID505	HVBOD_RR_A	Power ramp rate: V _{DDD} and V _{DDA} (Active)	–	–	100	mV/µs	
SID506	HVBOD_RR_DS	Power ramp rate: V _{DDD} and V _{DDA} (DeepSleep)	–	–	10	mV/µs	
SID507	t _{DLY_ACT_HVBOD}	Active mode delay between V _{DDD} falling/rising through V _{TR_2P7_F/R} or V _{TR_3P0_F/R} and an internal HV BOD signal transitioning	–	–	0.5	µs	Guaranteed by design
SID507A	t _{DLY_ACT_HVBOD}	Active mode delay between V _{DDA} falling/rising through V _{TR_2P7_F/R} or V _{TR_3P0_F/R} and internal HV BOD signal transitioning	–	–	1	µs	Guaranteed by design
SID507B	t _{DLY_DS_HVBOD}	DeepSleep mode delay between V _{DDD} /V _{DDA} falling/rising through V _{TR_2P7_F/R} or V _{TR_3P0_F/R} and an internal HV BOD signal transitioning	–	–	4	µs	Guaranteed by design
SID508	t _{RES_HVBOD}	Response time of HV BOD, V _{DDD} /V _{DDA} supply. (For falling-then-rising supply at max ramp rate; threshold is V _{TR_2P7_F} or V _{TR_3P0_F} .)	100	–	–	ns	Guaranteed by design
Low-Voltage BOD (LV BOD) Specifications							
SID510	V _{TR_R_LVBOD}	LV BOD rising detection point for V _{CCD}	0.917	0.945	0.973	V	
SID511	V _{TR_F_LVBOD}	LV BOD falling detection point for V _{CCD}	0.892	0.92	0.948	V	
SID515	t _{DLY_ACT_LVBOD}	Active delay between V _{CCD} falling/rising through V _{TR_R/F_LVBOD} and an internal LV BOD signal transitioning	–	–	1	µs	Guaranteed by design

Table 26-17. System Resources (continued)

Spec ID	Parameter	Description	Min	Typ	Max	Units	Details/ Conditions
SID515A	t _{DLY_DS_LVBOD}	DeepSleep mode delay between V _{CCD} falling/rising through V _{TR_R/F_LVBOD} and an internal LV BOD signal transitioning	–	–	12	µs	Guaranteed by design
SID516	t _{RES_LVBOD}	Response time of LV BOD. (For falling-then-rising supply at max ramp rate; threshold is V _{TR_F_LVBOD} .)	100	–	–	ns	Guaranteed by design
Low-Voltage Detector (LVD) DC Specifications							
SID520	V _{TR_2P8_F}	LVD 2.8 V falling detection point for V _{DDD}	Typ – 4%	2800	Typ + 4%	mV	
SID521	V _{TR_2P9_F}	LVD 2.9 V falling detection point for V _{DDD}	Typ – 4%	2900	Typ + 4%	mV	
SID522	V _{TR_3P0_F}	LVD 3.0 V falling detection point for V _{DDD}	Typ – 4%	3000	Typ + 4%	mV	
SID523	V _{TR_3P1_F}	LVD 3.1 V falling detection point for V _{DDD}	Typ – 4%	3100	Typ + 4%	mV	
SID524	V _{TR_3P2_F}	LVD 3.2 V falling detection point for V _{DDD}	Typ – 4%	3200	Typ + 4%	mV	
SID525	V _{TR_3P3_F}	LVD 3.3 V falling detection point for V _{DDD}	Typ – 4%	3300	Typ + 4%	mV	
SID526	V _{TR_3P4_F}	LVD 3.4 V falling detection point for V _{DDD}	Typ – 4%	3400	Typ + 4%	mV	
SID527	V _{TR_3P5_F}	LVD 3.5 V falling detection point for V _{DDD}	Typ – 4%	3500	Typ + 4%	mV	
SID528	V _{TR_3P6_F}	LVD 3.6 V falling detection point for V _{DDD}	Typ – 4%	3600	Typ + 4%	mV	
SID529	V _{TR_3P7_F}	LVD 3.7 V falling detection point for V _{DDD}	Typ – 4%	3700	Typ + 4%	mV	
SID530	V _{TR_3P8_F}	LVD 3.8 V falling detection point for V _{DDD}	Typ – 4%	3800	Typ + 4%	mV	
SID531	V _{TR_3P9_F}	LVD 3.9 V falling detection point for V _{DDD}	Typ – 4%	3900	Typ + 4%	mV	
SID532	V _{TR_4P0_F}	LVD 4.0 V falling detection point for V _{DDD}	Typ – 4%	4000	Typ + 4%	mV	
SID533	V _{TR_4P1_F}	LVD 4.1 V falling detection point for V _{DDD}	Typ – 4%	4100	Typ + 4%	mV	
SID534	V _{TR_4P2_F}	LVD 4.2 V falling detection point for V _{DDD}	Typ – 4%	4200	Typ + 4%	mV	
SID535	V _{TR_4P3_F}	LVD 4.3 V falling detection point for V _{DDD}	Typ – 4%	4300	Typ + 4%	mV	
SID536	V _{TR_4P4_F}	LVD 4.4 V falling detection point for V _{DDD}	Typ – 4%	4400	Typ + 4%	mV	
SID537	V _{TR_4P5_F}	LVD 4.5 V falling detection point for V _{DDD}	Typ – 4%	4500	Typ + 4%	mV	
SID538	V _{TR_4P6_F}	LVD 4.6 V falling detection point for V _{DDD}	Typ – 4%	4600	Typ + 4%	mV	
SID539	V _{TR_4P7_F}	LVD 4.7 V falling detection point for V _{DDD}	Typ – 4%	4700	Typ + 4%	mV	
SID540	V _{TR_4P8_F}	LVD 4.8 V falling detection point for V _{DDD}	Typ – 4%	4800	Typ + 4%	mV	
SID541	V _{TR_4P9_F}	LVD 4.9 V falling detection point for V _{DDD}	Typ – 4%	4900	Typ + 4%	mV	
SID542	V _{TR_5P0_F}	LVD 5.0 V falling detection point for V _{DDD}	Typ – 4%	5000	Typ + 4%	mV	
SID543	V _{TR_5P1_F}	LVD 5.1 V falling detection point for V _{DDD}	Typ – 4%	5100	Typ + 4%	mV	
SID544	V _{TR_5P2_F}	LVD 5.2 V falling detection point for V _{DDD}	Typ – 4%	5200	Typ + 4%	mV	
SID545	V _{TR_5P3_F}	LVD 5.3 V falling detection point for V _{DDD}	Typ – 4%	5300	Typ + 4%	mV	
SID546	V _{TR_2P8_R}	LVD 2.8 V rising detection point for V _{DDD}	Typ – 4%	2825	Typ + 4%	mV	Same as V _{TR_2P8_F} + 25 mV
SID547	V _{TR_2P9_R}	LVD 2.9 V rising detection point for V _{DDD}	Typ – 4%	2925	Typ + 4%	mV	Same as V _{TR_2P9_F} + 25 mV
SID548	V _{TR_3P0_R}	LVD 3.0 V rising detection point for V _{DDD}	Typ – 4%	3025	Typ + 4%	mV	Same as V _{TR_3P0_F} + 25 mV
SID549	V _{TR_3P1_R}	LVD 3.1 V rising detection point for V _{DDD}	Typ – 4%	3125	Typ + 4%	mV	Same as V _{TR_3P1_F} + 25 mV
SID550	V _{TR_3P2_R}	LVD 3.2 V rising detection point for V _{DDD}	Typ – 4%	3225	Typ + 4%	mV	Same as V _{TR_3P2_F} + 25 mV
SID551	V _{TR_3P3_R}	LVD 3.3 V rising detection point for V _{DDD}	Typ – 4%	3325	Typ + 4%	mV	Same as V _{TR_3P3_F} + 25 mV

Table 26-17. System Resources (continued)

Spec ID	Parameter	Description	Min	Typ	Max	Units	Details/Conditions
SID552	V _{TR_3P4_R}	LVD 3.4 V rising detection point for V _{DDD}	Typ – 4%	3425	Typ + 4%	mV	Same as V _{TR_3P4_F} + 25 mV
SID553	V _{TR_3P5_R}	LVD 3.5 V rising detection point for V _{DDD}	Typ – 4%	3525	Typ + 4%	mV	Same as V _{TR_3P5_F} + 25 mV
SID554	V _{TR_3P6_R}	LVD 3.6 V rising detection point for V _{DDD}	Typ – 4%	3625	Typ + 4%	mV	Same as V _{TR_3P6_F} + 25 mV
SID555	V _{TR_3P7_R}	LVD 3.7 V rising detection point for V _{DDD}	Typ – 4%	3725	Typ + 4%	mV	Same as V _{TR_3P7_F} + 25 mV
SID556	V _{TR_3P8_R}	LVD 3.8 V rising detection point for V _{DDD}	Typ – 4%	3825	Typ + 4%	mV	Same as V _{TR_3P8_F} + 25 mV
SID557	V _{TR_3P9_R}	LVD 3.9 V rising detection point for V _{DDD}	Typ – 4%	3925	Typ + 4%	mV	Same as V _{TR_3P9_F} + 25 mV
SID558	V _{TR_4P0_R}	LVD 4.0 V rising detection point for V _{DDD}	Typ – 4%	4025	Typ + 4%	mV	Same as V _{TR_4P0_F} + 25 mV
SID559	V _{TR_4P1_R}	LVD 4.1 V rising detection point for V _{DDD}	Typ – 4%	4125	Typ + 4%	mV	Same as V _{TR_4P1_F} + 25 mV
SID560	V _{TR_4P2_R}	LVD 4.2 V rising detection point for V _{DDD}	Typ – 4%	4225	Typ + 4%	mV	Same as V _{TR_4P2_F} + 25 mV
SID561	V _{TR_4P3_R}	LVD 4.3 V rising detection point for V _{DDD}	Typ – 4%	4325	Typ + 4%	mV	Same as V _{TR_4P3_F} + 25 mV
SID562	V _{TR_4P4_R}	LVD 4.4 V rising detection point for V _{DDD}	Typ – 4%	4425	Typ + 4%	mV	Same as V _{TR_4P4_F} + 25 mV
SID563	V _{TR_4P5_R}	LVD 4.5 V rising detection point for V _{DDD}	Typ – 4%	4525	Typ + 4%	mV	Same as V _{TR_4P5_F} + 25 mV
SID564	V _{TR_4P6_R}	LVD 4.6 V rising detection point for V _{DDD}	Typ – 4%	4625	Typ + 4%	mV	Same as V _{TR_4P6_F} + 25 mV
SID565	V _{TR_4P7_R}	LVD 4.7 V rising detection point for V _{DDD}	Typ – 4%	4725	Typ + 4%	mV	Same as V _{TR_4P7_F} + 25 mV
SID566	V _{TR_4P8_R}	LVD 4.8 V rising detection point for V _{DDD}	Typ – 4%	4825	Typ + 4%	mV	Same as V _{TR_4P8_F} + 25 mV
SID567	V _{TR_4P9_R}	LVD 4.9 V rising detection point for V _{DDD}	Typ – 4%	4925	Typ + 4%	mV	Same as V _{TR_4P9_F} + 25 mV
SID568	V _{TR_5P0_R}	LVD 5.0 V rising detection point for V _{DDD}	Typ – 4%	5025	Typ + 4%	mV	Same as V _{TR_5P0_F} + 25 mV
SID569	V _{TR_5P1_R}	LVD 5.1 V rising detection point for V _{DDD}	Typ – 4%	5125	Typ + 4%	mV	Same as V _{TR_5P1_F} + 25 mV
SID570	V _{TR_5P2_R}	LVD 5.2 V rising detection point for V _{DDD}	Typ – 4%	5225	Typ + 4%	mV	Same as V _{TR_5P2_F} + 25 mV
SID571	V _{TR_5P3_R}	LVD 5.3 V rising detection point for V _{DDD}	Typ – 4%	5325	Typ + 4%	mV	Same as V _{TR_5P3_F} + 25 mV
SID573	LVD_RR_A	Power ramp rate: V _{DDD} (Active)	–	–	100	mV/μs	
SID574	LVD_RR_DS	Power ramp rate: V _{DDD} (DeepSleep)	–	–	10	mV/μs	
SID575	t _{DLY_ACT_LVD}	Active mode delay between V _{DDD} falling/rising through LVD rising/falling point and an internal LVD signal transitioning	–	–	1	μs	Guaranteed by design
SID575A	t _{DLY_DS_LVD}	DeepSleep mode delay between V _{DDD} falling/rising through LVD rising/falling point and an internal LVD signal rising	–	–	4	μs	Guaranteed by design

Table 26-17. System Resources (continued)

Spec ID	Parameter	Description	Min	Typ	Max	Units	Details/ Conditions
SID576	t _{RES_LVD}	Response time of LVD, V _{DDD} supply. LVD guaranteed to generate pulse for V _{DDD} pulse width greater than this. (For falling-then-rising supply at max ramp rate; pulse width is time below LVD falling point)	100	–	–	ns	Guaranteed by design
High-Voltage OVD (HV OVD) Specifications							
SID580	V _{TR_5P0_R}	HV OVD 5.0-V rising detection point for V _{DDD} and V _{DDA}	5.049	5.205	5.361	V	
SID581	V _{TR_5P0_F}	HV OVD 5.0-V falling detection point for V _{DDD} and V _{DDA}	5.025	5.18	5.335	V	
SID582	V _{TR_5P5_R}	HV OVD 5.5-V rising detection point for V _{DDD} and V _{DDA} (default)	5.548	5.72	5.892	V	
SID583	V _{TR_5P5_F}	HV OVD 5.5-V falling detection point for V _{DDD} and V _{DDA} (default)	5.524	5.695	5.866	V	
SID585	HVOVD_RR_A	Power ramp rate: V _{DDD} and V _{DDA} (Active)	–	–	100	mV/μs	
SID586	HVOVD_RR_DS	Power ramp rate: V _{DDD} and V _{DDA} (DeepSleep)	–	–	10	mV/μs	
SID587	t _{DLY_ACT_HVOVD}	Active mode delay between V _{DDD} falling/rising through V _{TR_5P0_F/R} or V _{TR_5P5_F/R} and an internal HV OVD signal transitioning	–	–	1	μs	Guaranteed by design
SID587A	t _{DLY_ACT_HVOVD_A}	Active mode delay between V _{DDA} falling/rising through V _{TR_5P0_F/R} or V _{TR_5P5_F/R} and an internal HV OVD signal transitioning	–	–	1.5	μs	Guaranteed by design
SID587B	t _{DLY_DS_HVOVD}	DeepSleep mode delay between V _{DDD} /V _{DDA} falling/rising through V _{TR_5P0_F/R} or V _{TR_5P5_F/R} and an internal HV OVD signal transitioning	–	–	4	μs	Guaranteed by design
SID588	t _{RES_HVOVD}	Response time of HV OVD. (For rising-then-falling supply at max ramp rate; threshold is V _{TR_5P0_R} or V _{TR_5P5_R} .)	100	–	–	ns	Guaranteed by design
Low-Voltage OVD (LV OVD) Specifications							
SID590	V _{TR_R_LVOVD}	LV OVD rising detection point for V _{CCD}	1.261	1.3	1.339	V	
SID591	V _{TR_F_LVOVD}	LV OVD falling detection point for V _{CCD}	1.237	1.275	1.313	V	
SID595	t _{DLY_ACT_LVOVD}	Active mode delay between V _{CCD} falling/rising through V _{TR_F/R_LVOVD} and an internal LV OVD signal transitioning	–	–	1	μs	Guaranteed by design
SID595A	t _{DLY_DS_LVOVD}	DeepSleep mode delay between V _{CCD} falling/rising through V _{TR_F/R_LVOVD} and an internal LV OVD signal transitioning	–	–	12	μs	Guaranteed by design
SID596	t _{RES_LVOVD}	Response time of LV OVD. (For rising-then-falling supply at max ramp rate; threshold is V _{TR_R_LVOVD} .)	100	–	–	ns	Guaranteed by design
Overcurrent Detection (OCD) Specifications							
SID598	I _{OCD}	OCD range for V _{CCD}	156	–	315	mA	
SID599	I _{OCD_DPSLP}	OCD range in DeepSleep mode	18	–	72	mA	

Figure 26-13. Device Operations Supply Range

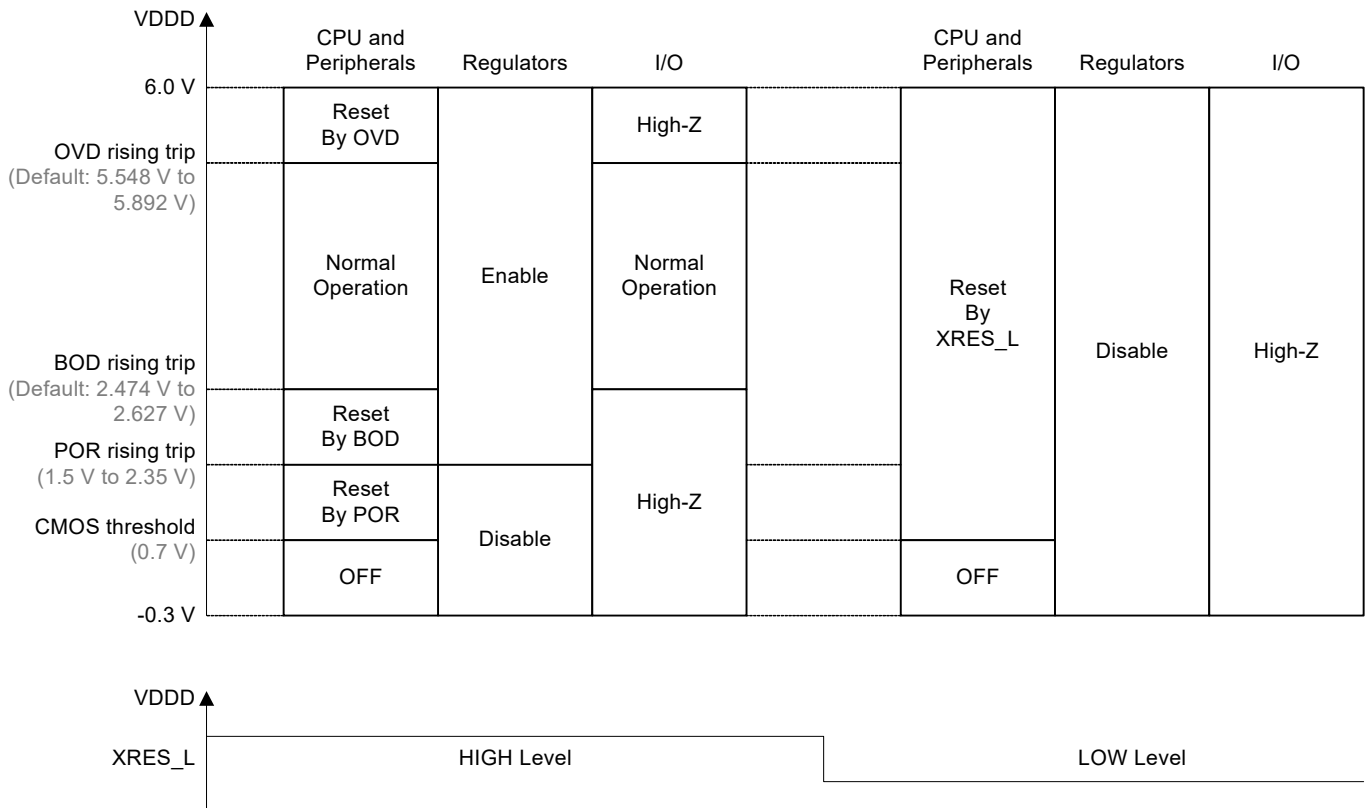


Figure 26-14.POR Specifications

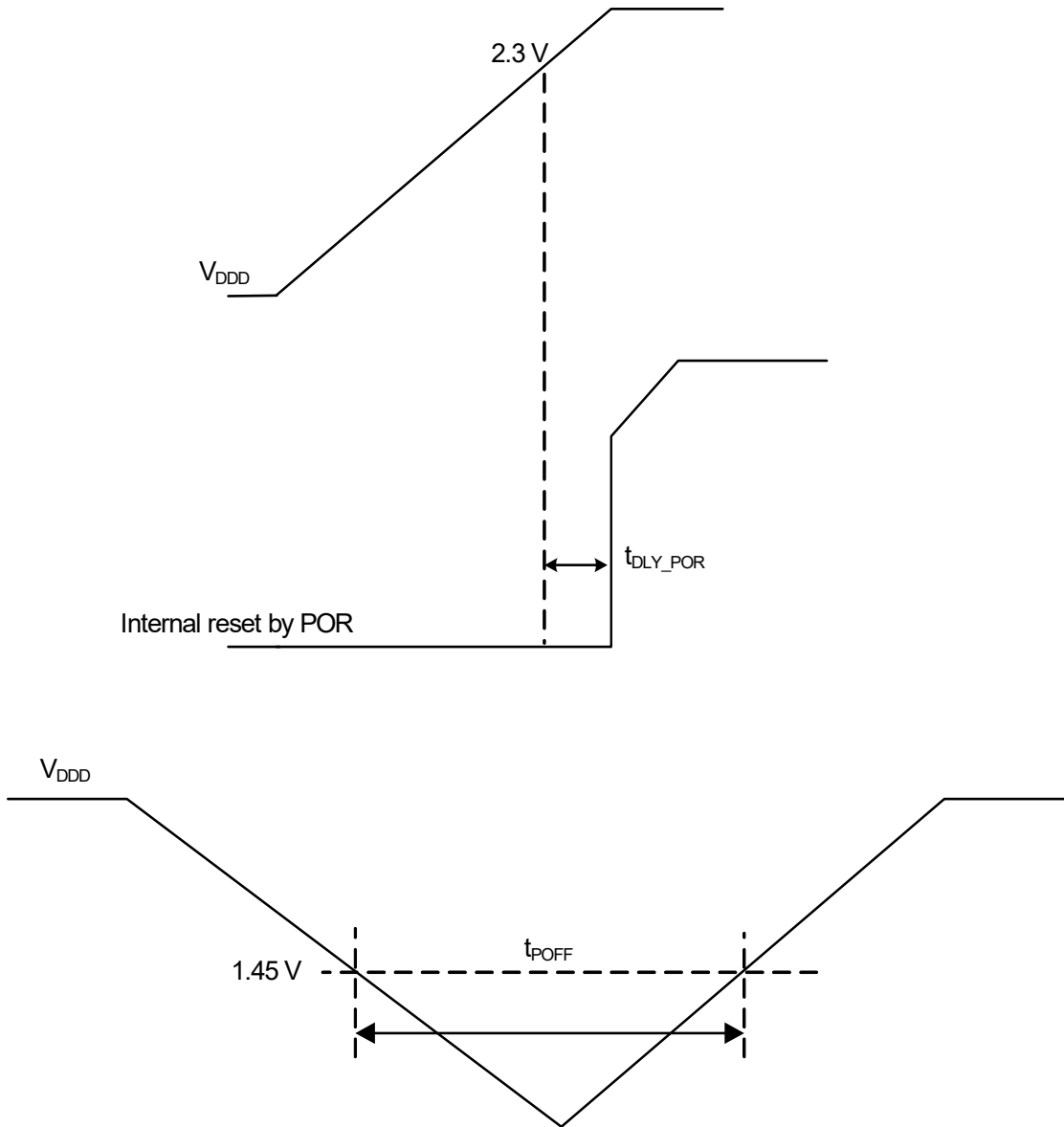


Figure 26-15. High-Voltage BOD Specifications

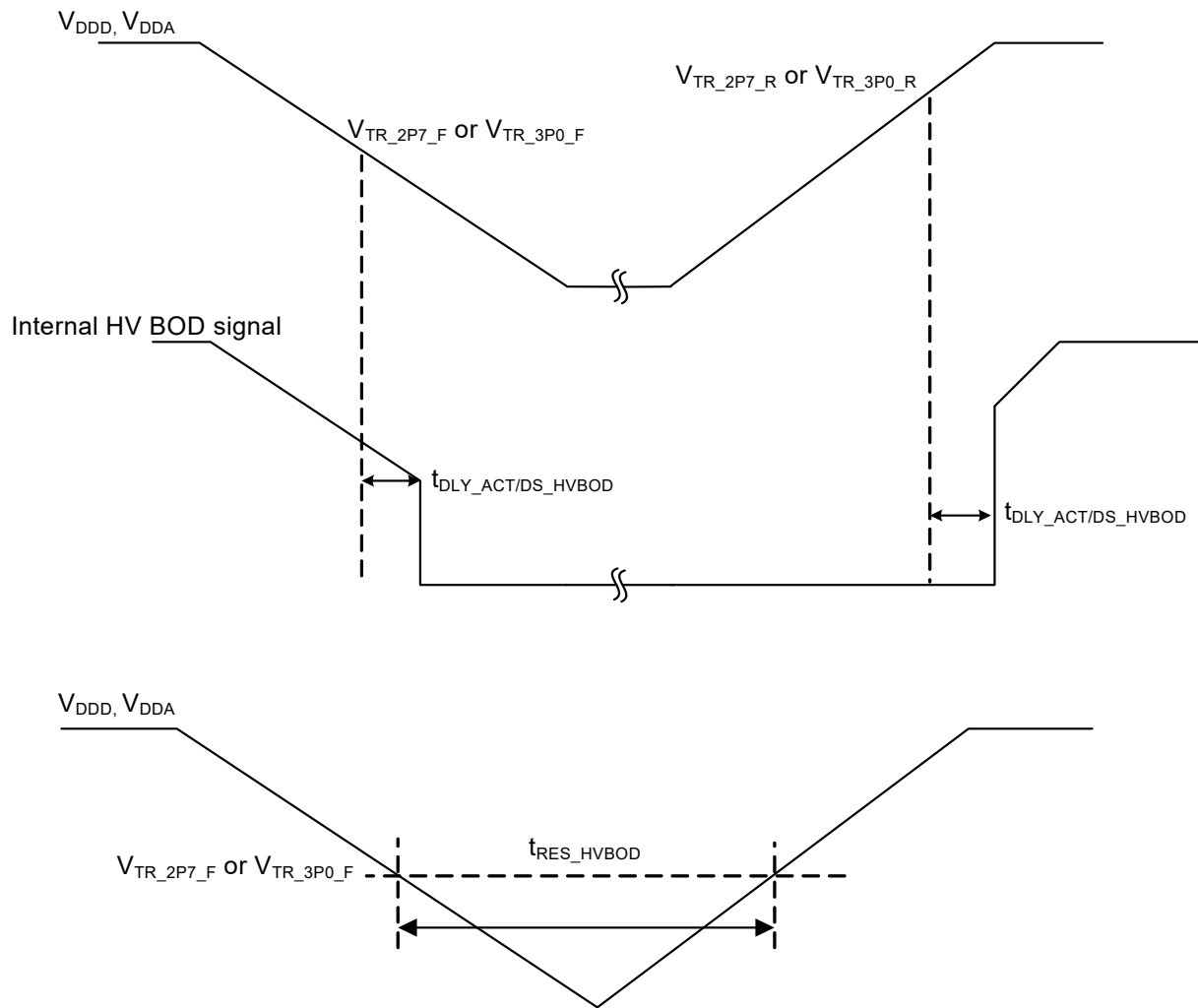


Figure 26-16. Low-Voltage BOD Specifications

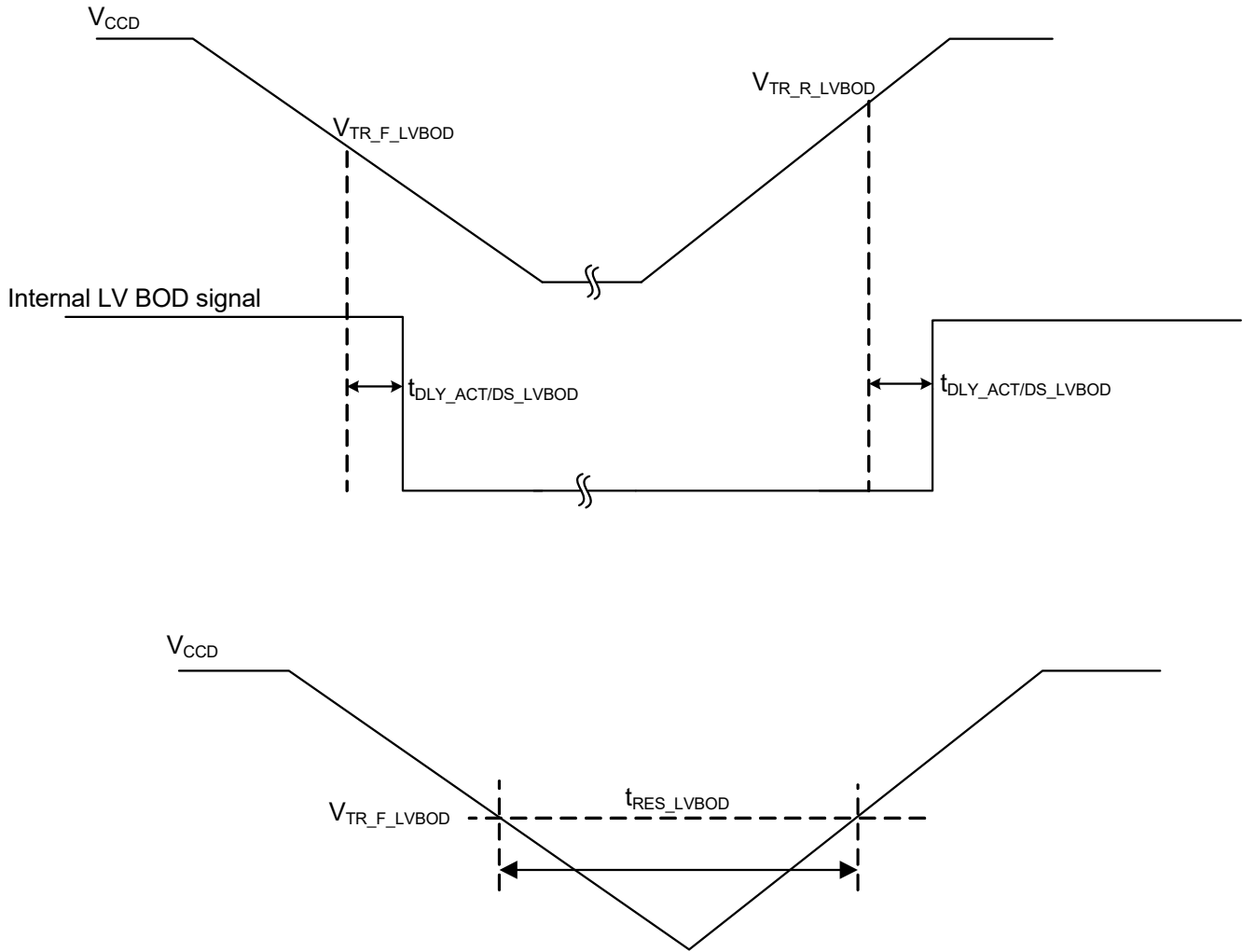


Figure 26-17. High-Voltage OVD Specifications

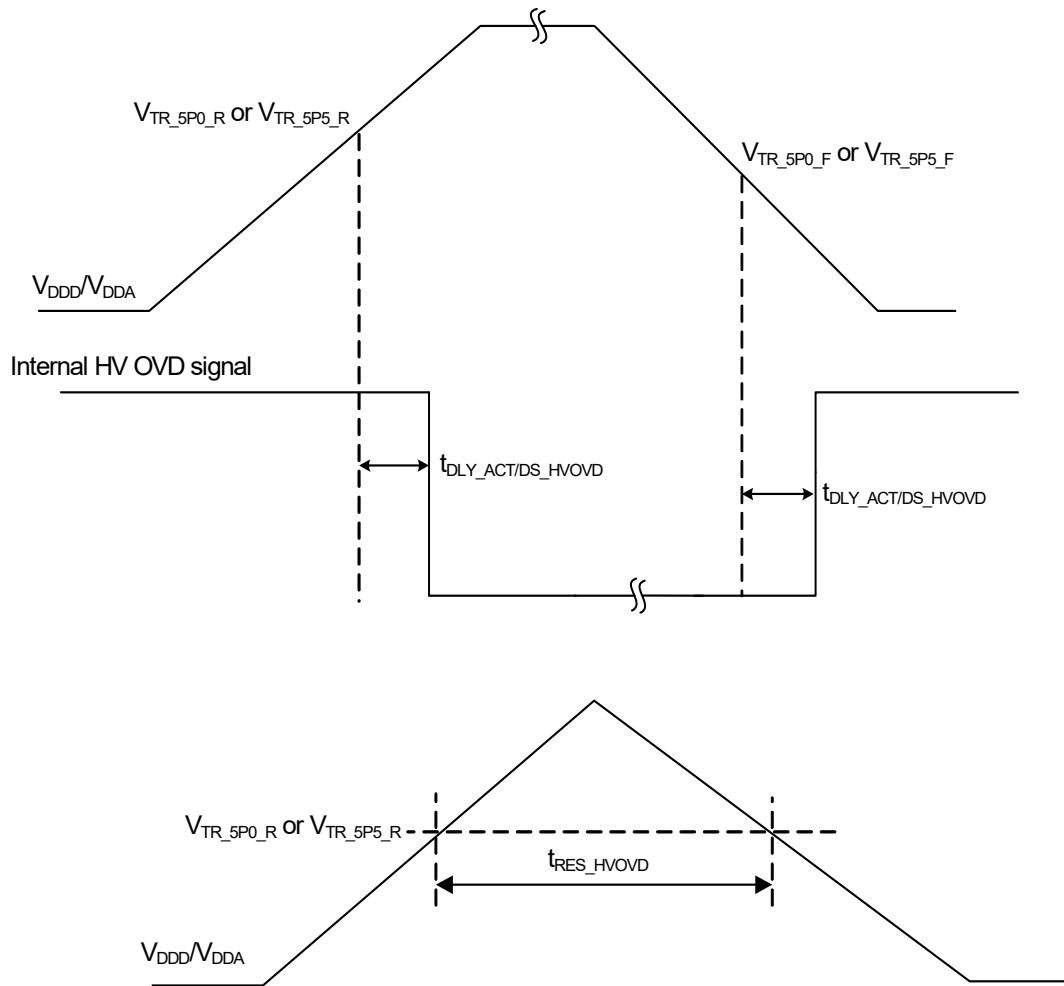


Figure 26-18. Low-Voltage OVD Specifications

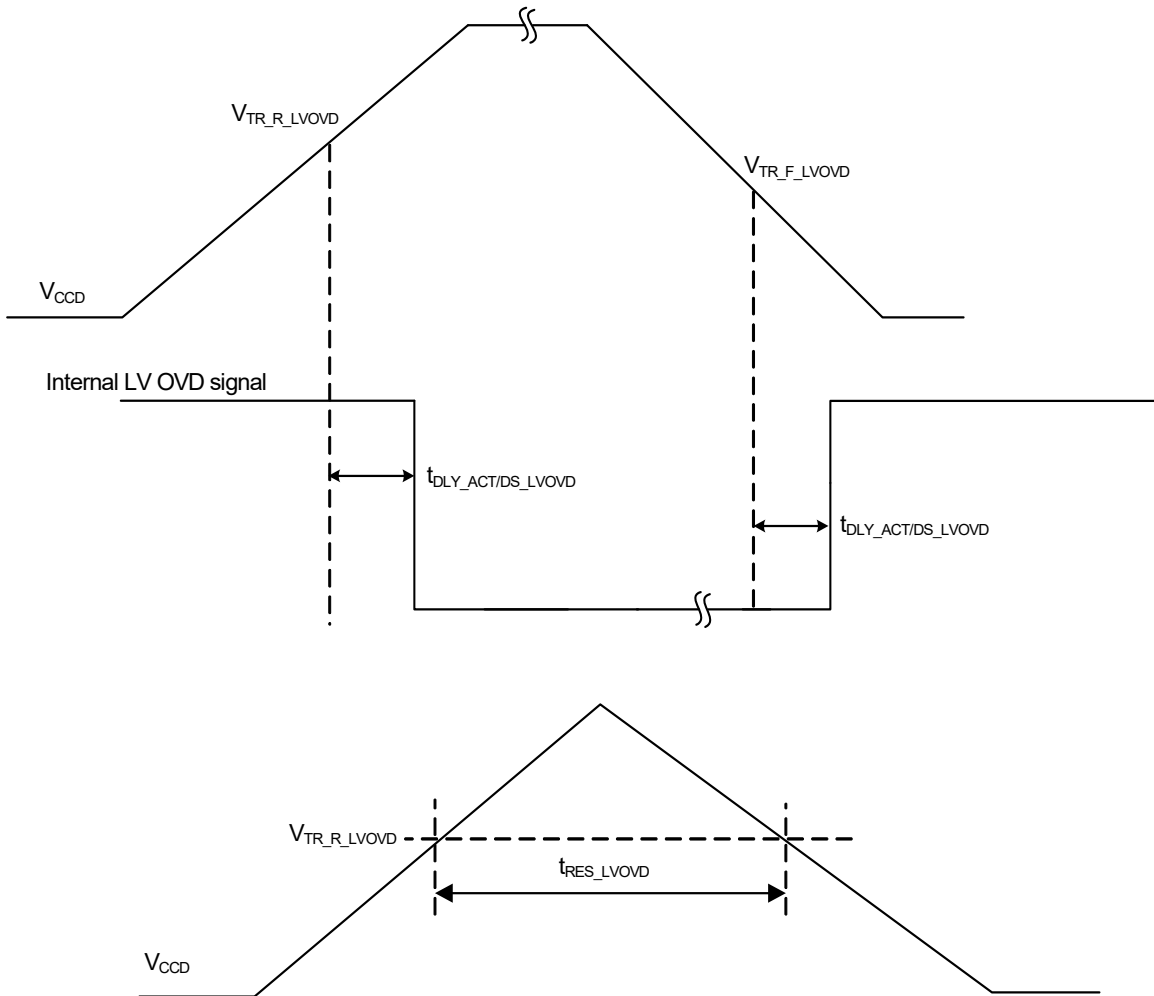
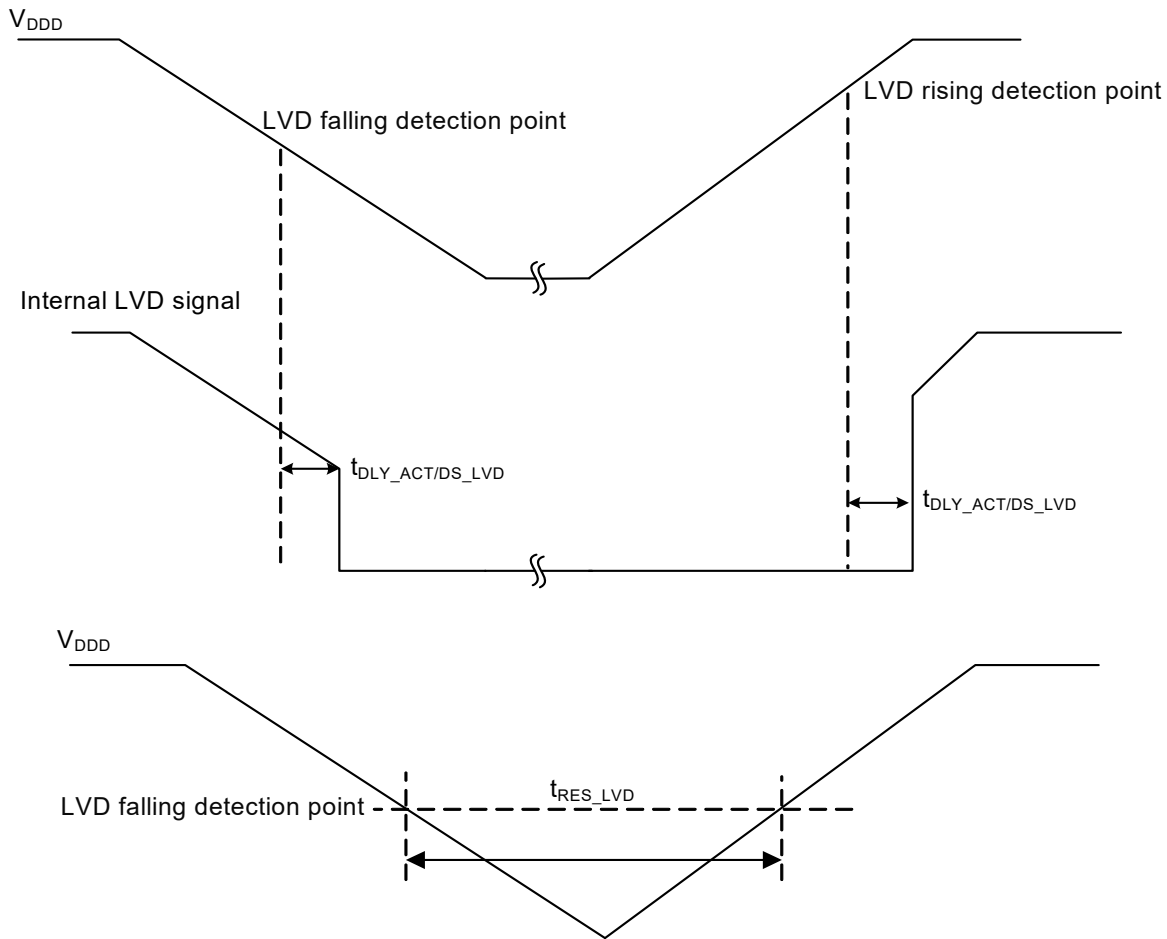


Figure 26-19.LVD Specifications



26.11 Debug

26.11.1 SWD

Table 26-18. SWD Specifications

Spec ID	Parameter	Description	Min	Typ	Max	Units	Details/Conditions
SID300	f_{SWDCLK}	SWD clock input frequency	–	–	10	MHz	$2.7 V \leq V_{DD} \leq 5.5 V$
SID301	t_{SWDI_SETUP}	SWDI setup time	$0.25 \times T$	–	–	ns	$T = 1 / f_{SWDCLK}$
SID302	t_{SWDI_HOLD}	SWDI hold time	$0.25 \times T$	–	–	ns	$T = 1 / f_{SWDCLK}$
SID303	t_{SWDO_VALID}	SWDO valid time	–	–	$0.5 \times T$	ns	$T = 1 / f_{SWDCLK}$
SID304	t_{SWDO_HOLD}	SWDO hold time	1	–	–	ns	$T = 1 / f_{SWDCLK}$

26.11.2 JTAG

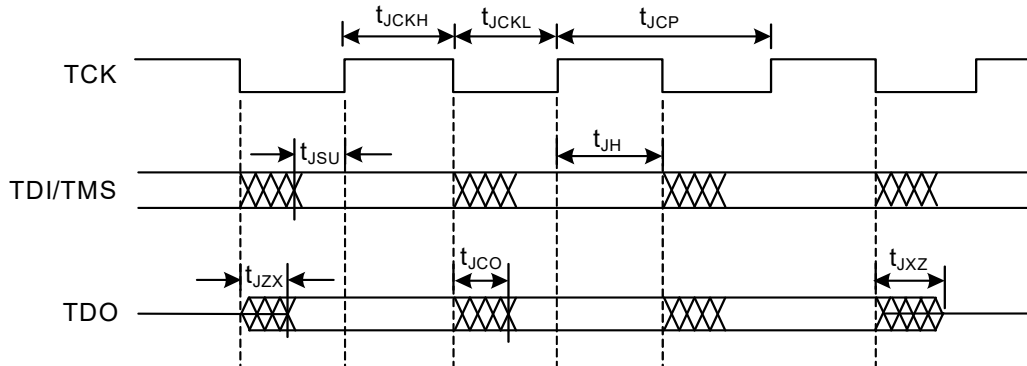
Table 26-19. JTAG AC Specifications

Spec ID	Parameter	Description	Min	Typ	Max	Units	Details/Conditions
SID620	t_{JCKH}	TCK HIGH time	30	–	–	ns	30-pF load
SID621	t_{JCKL}	TCK LOW time	30	–	–	ns	30-pF load
SID622	t_{JCP}	TCK clock period	66.7	–	–	ns	30-pF load
SID623	t_{JSU}	TDI/TMS setup time	12	–	–	ns	30-pF load

Table 26-19. JTAG AC Specifications

SID624	t_{JH}	TDI/TMS hold time	12	–	–	ns	30-pF load
SID625	t_{JZX}	TDO High-Z to active	–	–	30	ns	30-pF load
SID626	t_{JXZ}	TDO active to High-Z	–	–	30	ns	30-pF load
SID627	t_{JCO}	TDO clock to output	–	–	30	ns	30-pF load

Figure 26-20. JTAG Timing Diagram



26.11.3 Trace

Table 26-20. Trace Specifications

Spec ID	Parameter	Description	Min	Typ	Max	Units	Details/Conditions
SID1412A	C_{TRACE}	Trace Capacitive Load	–	–	30	pF	
SID1412	t_{TRACE_CYC}	Trace clock period	40	–	–	ns	Trace clock cycle time for 25 MHz
SID1413	t_{TRACE_CLKL}	Trace clock LOW pulse width	2	–	–	ns	Clock low pulse width
SID1414	t_{TRACE_CLKH}	Trace clock HIGH pulse width	2	–	–	ns	Clock high pulse width
SID1415A	t_{TRACE_SETUP}	Trace data setup time	3	–	–	ns	Trace data setup time
SID1416A	t_{TRACE_HOLD}	Trace data hold time	2	–	–	ns	Trace data hold time

26.12 Clock Specifications

The following is a basic requirement on the clock frequency dependency of the cores: Cortex-M0+ core should run at an integer divider from the Cortex-M4 core clock.

Example combinations are listed in the [Table 26-21](#).

Table 26-21. Clock Requirements

Core Cortex-M4 Clock (MHz)	Core Cortex-CM0+ Clock (MHz)
160	80
120	60
100	100
80	80

Table 26-22. Root and Intermediate Clocks^[50]

Clock	Max Frequency (MHz)	Description
CLK_HF0	160	Root clock for CPUSS, PERI
CLK_HF1	100	Event generator, Clock output on EXT_CLK pins (when used as output)
CLK_HF2	8	CSV
CLK_FAST	160	Generated by dividing CLK_HF0, intermediate clock for CM4
CLK_SLOW	100	Generated by clock gating CLK_PERI, intermediate clock for CM0+, Crypto, P-DMA, M-DMA
CLK_PERI	100	Generated by clock gating CLK_HF0, intermediate clock for LIN, SCB, PASS, CAN, TCPWM, IOSS, CPU trace

Table 26-23. IMO AC Specifications

Spec ID	Parameter	Description	Min	Typ	Max	Units	Details/Conditions
SID310	f _{IMOTOL}	IMO operating frequency	7.92	8	8.08	MHz	
SID311	t _{STARTIMO}	IMO startup time	–	–	7.5	μs	Startup time to 90% of final frequency
SID312	I _{IMO_ACT}	IMO current	–	13.5	22	μA	Guaranteed by design

Table 26-24. ILO AC Specifications

Spec ID	Parameter	Description	Min	Typ	Max	Units	Details/Conditions
SID320	f _{ILOTRIM}	ILO operating frequency	31.1296	32.768	34.4064	kHz	
SID321	t _{STARTILO}	ILO startup time	–	8	12	μs	Startup time to 90% of final frequency
SID323	I _{ILO}	ILO current	–	500	2800	nA	Guaranteed by design

Note

50. Intermediate clocks that are not listed have the same limitations as that of their parent clock.

Table 26-25. ECO Specifications

Spec ID	Parameter	Description	Min	Typ	Max	Units	Details/Conditions
SID330	f_{ECO}	Crystal frequency range	3.988	–	33.34	MHz	
SID332	R_{FDBK}	Feedback resistor value. Min: RTRIM = 3; Max: RTRIM = 0 with 100-k Ω step size on RTRIM	100	–	400	k Ω	
SID333	I_{ECO3}	ECO current at $T_J = 150\text{ }^\circ\text{C}$	–	–	2000	μA	Maximum operation current with a 33-MHz crystal, max 18-pF load
SID334	t_{START_4M}	4-MHz ECO startup time ^[51]	–	–	10	ms	Startup time to 90% of final frequency
SID335	t_{START_33M}	33-MHz ECO startup time ^[51]	–	–	1	ms	Startup time to 90% of final frequency

Figure 26-21. ECO Connection Scheme^[52]

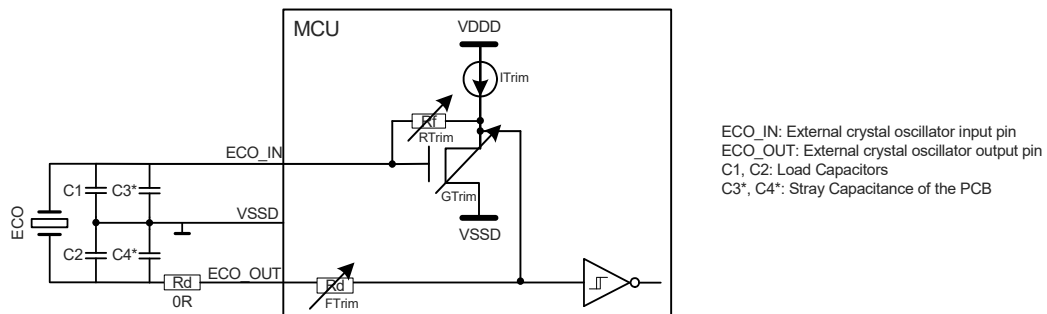


Table 26-26. PLL Specifications

Spec ID	Parameter	Description	Min	Typ	Max	Units	Details/Conditions
SID340	PLL_LOCK	Time to achieve PLL lock	–	–	35	μs	
SID341	f_{PLL_OUT}	Output frequency from PLL block	11	–	160	MHz	
SID342	PLL_LJIT1	Long term jitter	-0.25	–	0.25	ns	For 125 ns f_{PLL_VCO} : 320 MHz f_{PLL_OUT} : 40 MHz to 160 MHz f_{PLL_PFD} : 8 MHz f_{PLL_IN} : ECO
SID343	PLL_LJIT2	Long term jitter	-0.5	–	0.5	ns	For 500 ns f_{PLL_VCO} : 320 MHz f_{PLL_OUT} : 40 MHz to 160 MHz f_{PLL_PFD} : 8 MHz f_{PLL_IN} : ECO

Note

- 51. Mainly depends on the external crystal.
- 52. Please refer to the family-specific Architecture TRM for more information on crystal requirements (002-19314, Traveo™ II Automotive Body Controller Entry Family Architecture Technical Reference Manual (TRM)).

Table 26-26. PLL Specifications (continued)

Spec ID	Parameter	Description	Min	Typ	Max	Units	Details/Conditions
SID344	PLL_LJIT3	Long term jitter	-0.5	-	0.5	ns	For 1000 ns f _{PLL_VCO} : 320 MHz f _{PLL_OUT} : 40 MHz to 160 MHz f _{PLL_PFD} : 8 MHz f _{PLL_IN} : ECO
SID345A	PLL_LJIT5	Long term jitter	-0.75	-	0.75	ns	For 10000 ns f _{PLL_VCO} : 320 MHz f _{PLL_OUT} : 40 MHz to 160 MHz f _{PLL_PFD} : 8 MHz f _{PLL_IN} : ECO
SID346	f _{PLL_IN}	PLL input frequency	3.988	-	33.34	MHz	
SID347	I _{PLL_160M1}	PLL operating current (f _{OUT} = 160 MHz)	-	740	1110	μA	f _{IN} = 4 MHz, f _{PFD} = 4 MHz, f _{VCO} = 320 MHz, f _{OUT} = 160 MHz
SID347A	I _{PLL_160M2}	PLL operating current (f _{OUT} = 160 MHz)	-	750	1125	μA	f _{IN} = 8 MHz, f _{PFD} = 8 MHz, f _{VCO} = 320 MHz, f _{OUT} = 160 MHz
SID347B	I _{PLL_160M3}	PLL operating current (f _{OUT} = 160 MHz)	-	750	1125	μA	f _{IN} = 16 MHz, f _{PFD} = 8 MHz, f _{VCO} = 320 MHz, f _{OUT} = 160 MHz
SID339	I _{PLL_100M1}	PLL operating current (f _{OUT} = 100 MHz)	-	520	780	μA	f _{IN} = 4 MHz, f _{PFD} = 4 MHz, f _{VCO} = 200 MHz, f _{OUT} = 100 MHz
SID339A	I _{PLL_100M2}	PLL operating current (f _{OUT} = 100 MHz)	-	530	795	μA	f _{IN} = 8 MHz, f _{PFD} = 8 MHz, f _{VCO} = 200 MHz, f _{OUT} = 100 MHz
SID339B	I _{PLL_100M3}	PLL operating current (f _{OUT} = 100 MHz)	-	530	795	μA	f _{IN} = 16 MHz, f _{PFD} = 8 MHz, f _{VCO} = 200 MHz, f _{OUT} = 100 MHz
SID348	I _{PLL_80M1}	PLL operating current (f _{OUT} = 80 MHz)	-	520	780	μA	f _{IN} = 4 MHz, f _{PFD} = 4 MHz, f _{VCO} = 240 MHz, f _{OUT} = 80 MHz
SID348A	I _{PLL_80M2}	PLL operating current (f _{OUT} = 80 MHz)	-	530	795	μA	f _{IN} = 8 MHz, f _{PFD} = 8 MHz, f _{VCO} = 240 MHz, f _{OUT} = 80 MHz
SID348B	I _{PLL_80M3}	PLL operating current (f _{OUT} = 80 MHz)	-	530	795	μA	f _{IN} = 16 MHz, f _{PFD} = 8 MHz, f _{VCO} = 240 MHz, f _{OUT} = 80 MHz
SID348C	f _{PLL_VCO}	VCO frequency	170	-	400	MHz	
SID349C	f _{PLL_PFD}	PFD frequency	4	-	8	MHz	

Table 26-27. FLL Specifications

Spec ID	Parameter	Description	Min	Typ	Max	Units	Details/Conditions
SID350	t_{FLL_WAKE}	FLL wake up time	–	–	5	μs	Wakeup with < 10 °C temperature change while in DeepSleep. $f_{FLL_IN} = 8$ MHz, $f_{FLL_OUT} = 100$ MHz, Time from stable reference clock until FLL frequency is within 5% of final value
SID351	f_{FLL_OUT}	Output frequency from FLL block	24	–	100	MHz	Output range of FLL divided-by-2 output
SID352	FLL_CJIT	FLL frequency accuracy	–1	–	1	%	This is added to the error of the source
SID353	f_{FLL_IN}	Input frequency	0.25	–	80	MHz	
SID354	I_{FLL}	FLL operating current	–	250	360	μA	Reference clock: IMO, CCO frequency: 200 MHz, FLL frequency: 100 MHz, guaranteed by design

Figure 26-22.WCO Connection Scheme^[53]

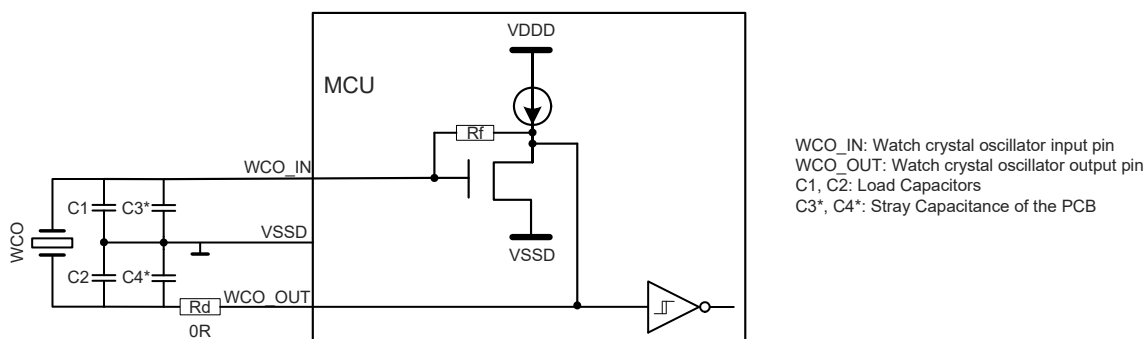


Table 26-28. WCO Specifications

Spec ID	Parameter	Description	Min	Typ	Max	Units	Details/Conditions
SID360	f_{WCO}	Watch Crystal frequency	–	32.768	–	kHz	Maximum drive level: 0.5 μW
SID361	WCO_DC	WCO duty cycle	10	–	90	%	
SID362	t_{START_WCO}	WCO start-up time ^[54]	–	–	1000	ms	For Grade-S devices
SID362E	t_{START_WCOE}	WCO start-up time ^[54]	–	–	1400	ms	For Grade-E devices
SID363	I_{WCO}	WCO current	–	1.4	–	μA	

Table 26-29. External Clock Input Specifications

Spec ID	Parameter	Description	Min	Typ	Max	Units	Details/Conditions
SID366	f_{EXT}	External clock input frequency	0.25	–	80	MHz	For EXT_CLK pin (all input level settings: CMOS, TTL, Automotive)
SID367	EXT_DC	External clock duty cycle	45	–	55	%	

Note

53. Please refer to family-specific Architecture TRM for more information on crystal requirements (002-19314, Traveo™ II Automotive Body Controller Entry Family Architecture Technical Reference Manual (TRM)).

54. Mainly depends on the external crystal.

26.12.1 Clock Timing Diagrams

Figure 26-23.ECO to PLL or FLL Diagram

ECO: 4 MHz
 PLL: 160 MHz
 FLL: 100 MHz

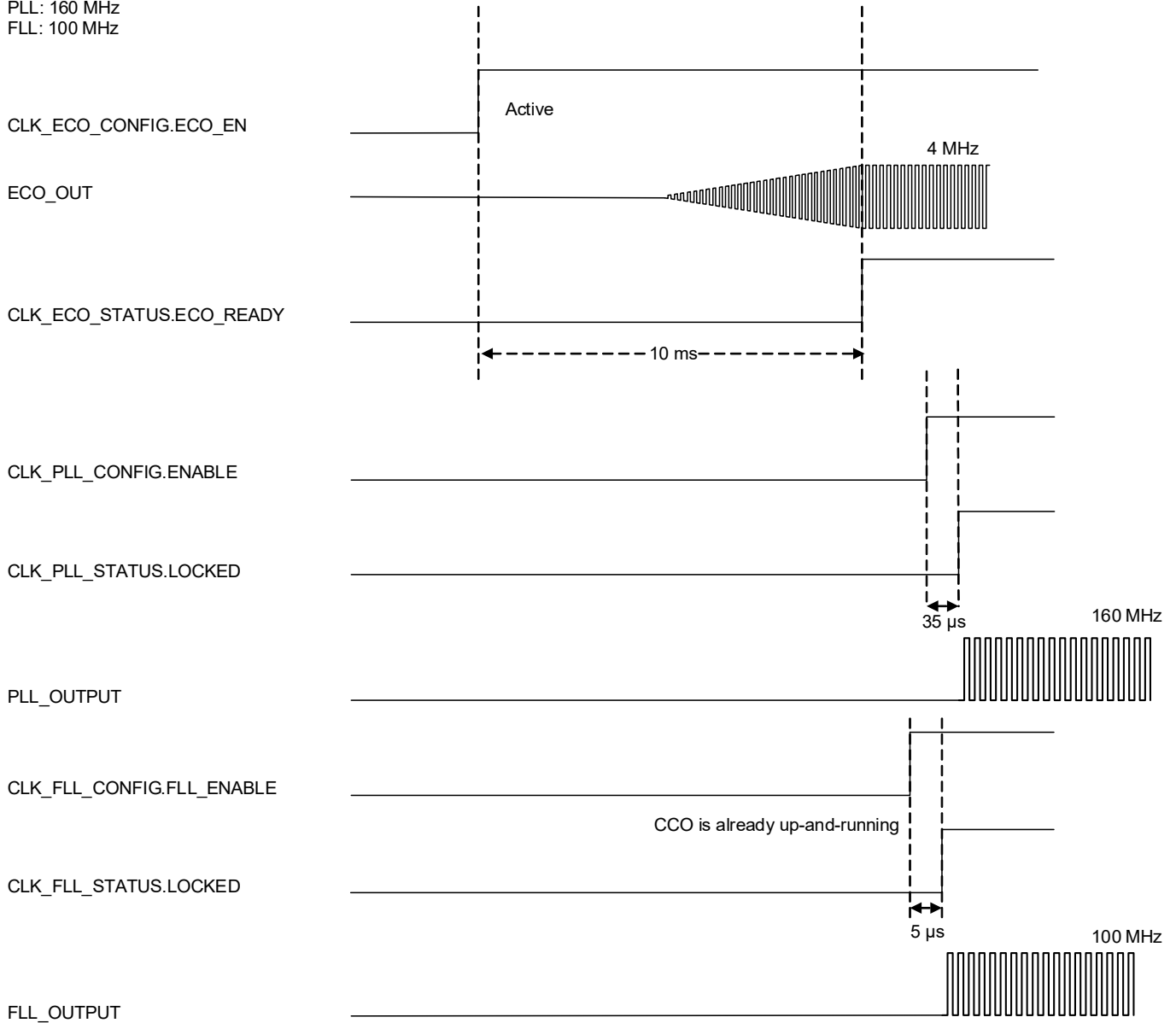


Figure 26-24.WCO to FLL Diagram

WCO: 32.768 kHz
FLL: 100 MHz

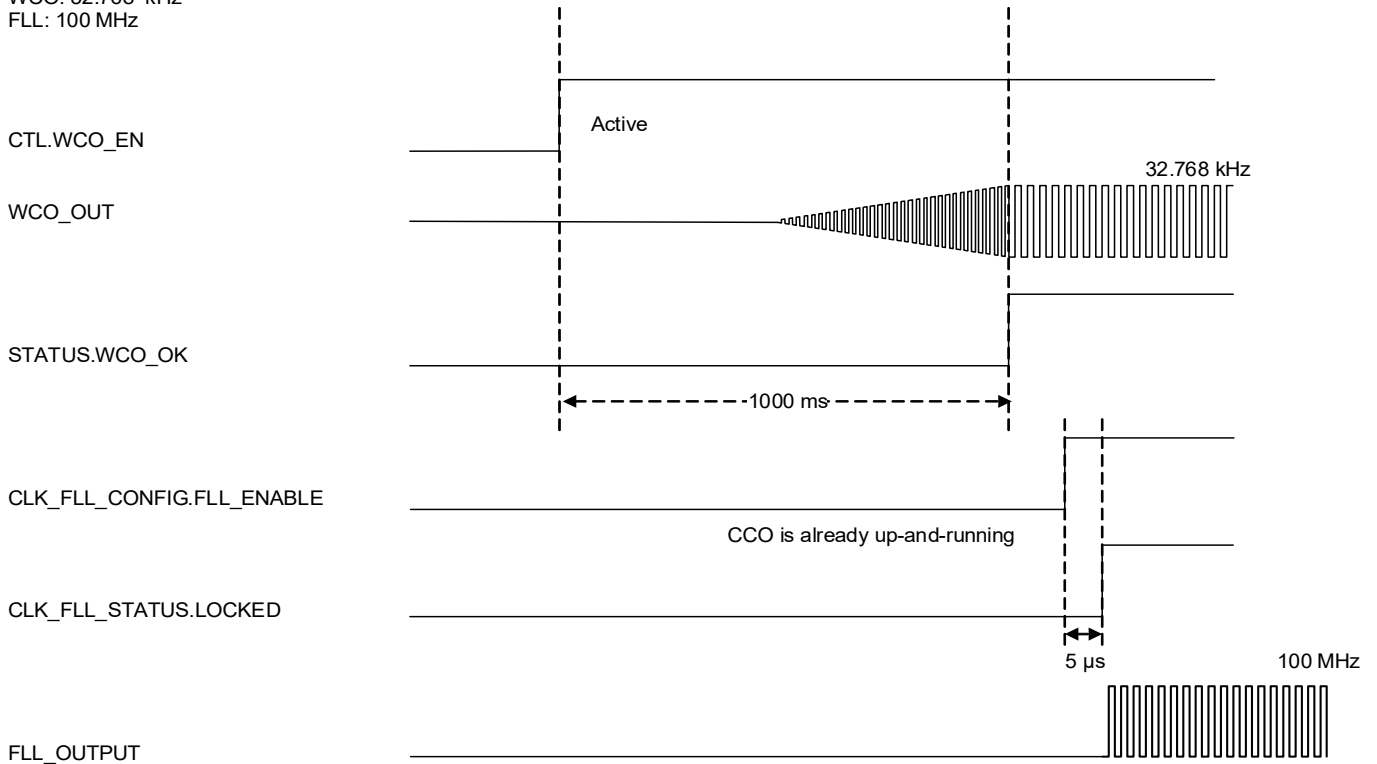


Table 26-30. MCWDT Timeout Specifications

Spec ID	Parameter	Description	Min	Typ	Max	Units	Details/Conditions
SID410	t_{MCWDT1}	Minimum MCWDT timeout	58.12	–	–	μs	When using the ILO (32.768 kHz + 5%) and 16-bit MCWDT counter Guaranteed by design
SID411	t_{MCWDT2}	Maximum MCWDT timeout	–	–	2.11	s	When using the ILO (32.768 kHz – 5%) and 16-bit MCWDT counter Guaranteed by design

Table 26-31. WDT Timeout Specifications

Spec ID	Parameter	Description	Min	Typ	Max	Units	Details/Conditions
SID412	t_{WDT1}	Minimum WDT timeout	58.12	–	–	μs	When using the ILO (32.768 kHz + 5%) and 16-bit WDT counter Guaranteed by design
SID413	t_{WDT2}	Maximum WDT timeout	–	–	38.33	h	When using the ILO (32.768 kHz – 5%) and 16-bit WDT counter Guaranteed by design
SID414	t_{WDT3}	Default WDT timeout	–	125	–	ms	When using the ILO and 32-bit WDT counter at 0x1000 (default value) Guaranteed by design

27. Ordering Information

The CYT2B7 microcontroller part numbers and features are listed in [Table 27-1](#). The Arm TAP JTAG ID is 0x6BA0 0477.

Table 27-1. CYT2B7 Ordering Information

Device Code	Ordering Code ^[55]	Package	Code-flash (KB)	Work-flash (KB)	RAM (KB)	ADC Channels	SCB Channels	LIN Channels	CANFD Channels	eSHE/HSM	Temperature Grade	JTAG ID CODE
CYT2B73BAS ^[56]	CYT2B73BADQ0AZSGS	64-LQFP	1088 ^[57]	96 ^[58]	128	27	5	6	5	eSHE	S ^[59]	0x2E3C9069 ^[61]
CYT2B73BAE ^[56]	CYT2B73BADQ0AZECS	64-LQFP	1088	96	128	27	5	6	5	eSHE	E ^[60]	0x2E3C9069
CYT2B73CAS	CYT2B73CADQ0AZSGS	64-LQFP	1088	96	128	27	5	6	5	HSM	S	0x2E3CA069
CYT2B73CAE	CYT2B73CADQ0AZECS	64-LQFP	1088	96	128	27	5	6	5	HSM	E	0x2E3CA069
CYT2B74BAS ^[56]	CYT2B74BADQ0AZSGS	80-LQFP	1088	96	128	34	6	7	6	eSHE	S	0x2E3D1069
CYT2B74BAE ^[56]	CYT2B74BADQ0AZECS	80-LQFP	1088	96	128	34	6	7	6	eSHE	E	0x2E3D1069
CYT2B74CAS	CYT2B74CADQ0AZSGS	80-LQFP	1088	96	128	34	6	7	6	HSM	S	0x2E3D2069
CYT2B74CAE	CYT2B74CADQ0AZECS	80-LQFP	1088	96	128	34	6	7	6	HSM	E	0x2E3D2069
CYT2B75BAS ^[56]	CYT2B75BADQ0AZSGS	100-LQFP	1088	96	128	39	8	7	6	eSHE	S	0x2E3D9069
CYT2B75BAE ^[56]	CYT2B75BADQ0AZECS	100-LQFP	1088	96	128	39	8	7	6	eSHE	E	0x2E3D9069
CYT2B75CAS	CYT2B75CADQ0AZSGS	100-LQFP	1088	96	128	39	8	7	6	HSM	S	0x2E3DA069
CYT2B75CAE	CYT2B75CADQ0AZECS	100-LQFP	1088	96	128	39	8	7	6	HSM	E	0x2E3DA069
CYT2B77BAS ^[56]	CYT2B77BADQ0AZSGS	144-LQFP	1088	96	128	54	8	8	6	eSHE	S	0x2E3E1069
CYT2B77BAE ^[56]	CYT2B77BADQ0AZECS	144-LQFP	1088	96	128	54	8	8	6	eSHE	E	0x2E3E1069
CYT2B77CAS	CYT2B77CADQ0AZSGS	144-LQFP	1088	96	128	54	8	8	6	HSM	S	0x2E3E2069
CYT2B77CAE	CYT2B77CADQ0AZECS	144-LQFP	1088	96	128	54	8	8	6	HSM	E	0x2E3E2069
CYT2B78BAS ^[56]	CYT2B78BADQ0AZSGS	176-LQFP	1088	96	128	64	8	8	6	eSHE	S	0x2E3E9069
CYT2B78BAE ^[56]	CYT2B78BADQ0AZECS	176-LQFP	1088	96	128	64	8	8	6	eSHE	E	0x2E3E9069
CYT2B78CAS	CYT2B78CADQ0AZSGS	176-LQFP	1088	96	128	64	8	8	6	HSM	S	0x2E3EA069
CYT2B78CAE	CYT2B78CADQ0AZECS	176-LQFP	1088	96	128	64	8	8	6	HSM	E	0x2E3EA069

Notes

- 55. Supported shipment types are "Tray" (default) and "Tape and Reel". Add the character 'T' at the end to get the ordering code for "Tape and Reel" shipment type.
- 56. 3DES/SHA-1/SHA-2/SHA-3/CRC/Vector unit for asymmetric cryptography features are not supported.
- 57. Code-flash size 1088 KB = 32 KB × 30 (Large Sectors) + 8 KB × 16 (Small Sectors)
- 58. Work-flash size 96 KB = 2 KB × 36 (Large Sectors) + 128 B × 192 (Small Sectors).
- 59. S-grade Temperature (−40 °C to 105 °C).
- 60. E-grade Temperature (−40 °C to 125 °C).
- 61. JTAG ID CODE bits 12 through 27, represents the Silicon ID of the device.

27.1 Part Number Nomenclature

Table 27-2. Device Code Nomenclature

Field	Description	Value	Meaning
CY	Cypress Prefix	CY	
T	Category	T	Traveo
2	Family Name	2	Traveo II (Core M4)
B	Application	B	Body
D	Code-flash/Work-flash/SRAM quantity	7	1088 KB / 96 KB / 128 KB
P	Packages	3	64-LQFP
		4	80-LQFP
		5	100-LQFP
		7	144-LQFP
		8	176-LQFP
H	Hardware Option	B	eSHE – on, HSM – off
		C	eSHE – on, HSM – on
I	Marketing Option	A	No options
C	Temperature Grade	S	S-grade (–40 °C to 105 °C)
		E	E-grade (–40 °C to 125 °C)

Table 27-3. Ordering Code Nomenclature

Field	Description	Value	Meaning
CY	Cypress Prefix	CY	
T	Category	T	Traveo
2	Family Name	2	Traveo II (Core M4)
B	Application	B	Body
D	Code-flash/Work-flash/SRAM quantity	7	1088 KB / 96 KB / 128 KB
P	Packages	3	64 LQFP
		4	80 LQFP
		5	100 LQFP
		7	144 LQFP
		8	176 LQFP
H	Hardware Option	B	eSHE – on, HSM – off
		C	eSHE – on, HSM – on
I	Marketing Option	A	No options
R	Revision	A	First revision
		B	Second revision
		C	Third revision
		D	Fourth revision
F	Fab Location	Q	UMC (Fab 12i) Singapore
X	Reserved	0	Reserved
K	Package Code	AZ	LQFP
C	Temperature Grade	S	S-grade (–40 °C to 105 °C)
		E	E-grade (–40 °C to 125 °C)
Q	Quality Grade	ES	Engineering samples
		GS	Standard grade of automotive
S	Shipment Type	Blank	Tray shipment
		T	Tape and Reel shipment

28. Packaging

CYT2B7 is offered in the packages listed in the [Table 28-1](#).

Table 28-1. Package Information

Package	Dimensions	Contact/Lead Pitch	Coefficient of Thermal Expansion	I/O Pins
176-LQFP	24 × 24 × 1.7 mm (max)	0.5 mm	a1 ^[64] = 8.5 ppm/°C, a2 ^[65] = 33.8 ppm/°C	152
144-LQFP	20 × 20 × 1.7 mm (max)	0.5 mm	a1 ^[64] = 8.5 ppm/°C, a2 ^[65] = 33.7 ppm/°C	122
100-LQFP	14 × 14 × 1.7 mm (max)	0.5 mm	a1 ^[64] = 8.5 ppm/°C, a2 ^[65] = 33.6 ppm/°C	78
80-LQFP	12 × 12 × 1.7 mm (max)	0.5 mm	a1 ^[64] = 8.5 ppm/°C, a2 ^[65] = 33.5 ppm/°C	63
64-LQFP	10 × 10 × 1.7 mm (max)	0.5 mm	a1 ^[64] = 8.5 ppm/°C, a2 ^[65] = 33.2 ppm/°C	49

Table 28-2. Package Characteristics

Parameter	Description	Conditions	Min	Typ	Max	Units
T _A	Operating ambient temperature	S-grade	-40	-	105	°C
T _A	Operating ambient temperature	E-grade	-40	-	125	°C
T _J	Operating junction temperature	-	-	-	150	°C
R _{θJA}	Package thermal resistance, junction to ambient θ _{JA} ^[62, 63]	64 LQFP	-	-	37.6	°C/Watt
		80 LQFP	-	-	32.7	°C/Watt
		100 LQFP	-	-	29.8	°C/Watt
		144 LQFP	-	-	26.2	°C/Watt
		176 LQFP	-	-	25.9	°C/Watt
R _{θJB}	Package θ _{JB}	64 LQFP	-	-	32.0	°C/Watt
		80 LQFP	-	-	26.7	°C/Watt
		100 LQFP	-	-	21.3	°C/Watt
		144 LQFP	-	-	20.9	°C/Watt
		176 LQFP	-	-	20.8	°C/Watt
R _{θJC}	Package thermal resistance, junction to case θ _{JC}	64 LQFP	-	-	7.8	°C/Watt
		80 LQFP	-	-	6.6	°C/Watt
		100 LQFP	-	-	5.6	°C/Watt
		144 LQFP	-	-	4.2	°C/Watt
		176 LQFP	-	-	3.8	°C/Watt

Table 28-3. Solder Reflow Peak Temperature, Package Moisture Sensitivity Level (MSL), IPC/JEDEC J-STD-2

Package	Maximum Peak Temperature (°C)	Maximum Time at Peak Temperature (seconds)	MSL
176 LQFP	260	30 seconds	3
144 LQFP	260	30 seconds	3
100 LQFP	260	30 seconds	3
80 LQFP	260	30 seconds	3
64 LQFP	260	30 seconds	3

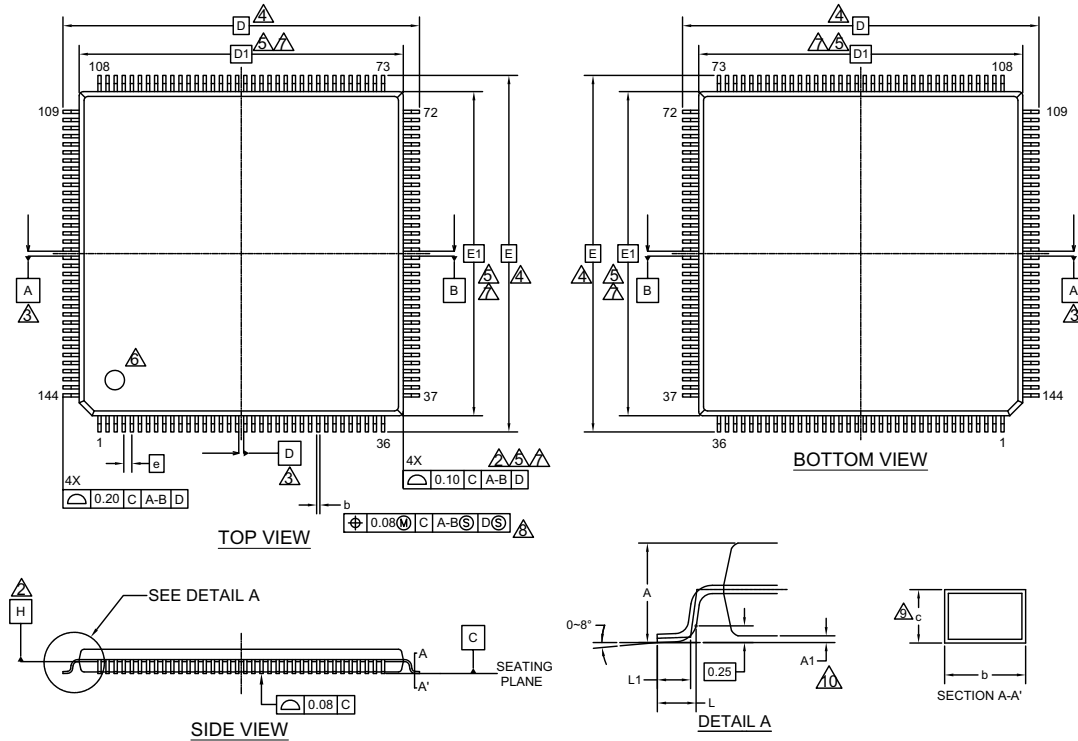
Notes

62. Board condition complies to JESD51-7(4 Layers)

63. Maximum value °C/Watt shown is for T_A = 125 °C.

64. a1 = CTE (Coefficient of Thermal Expansion) value below T_g (ppm/°C) (T_g is glass transition temperature which is 131 °C).

65. a2 = CTE value above T_g (ppm/°C).

Figure 28-2.144-LQFP Package Outline


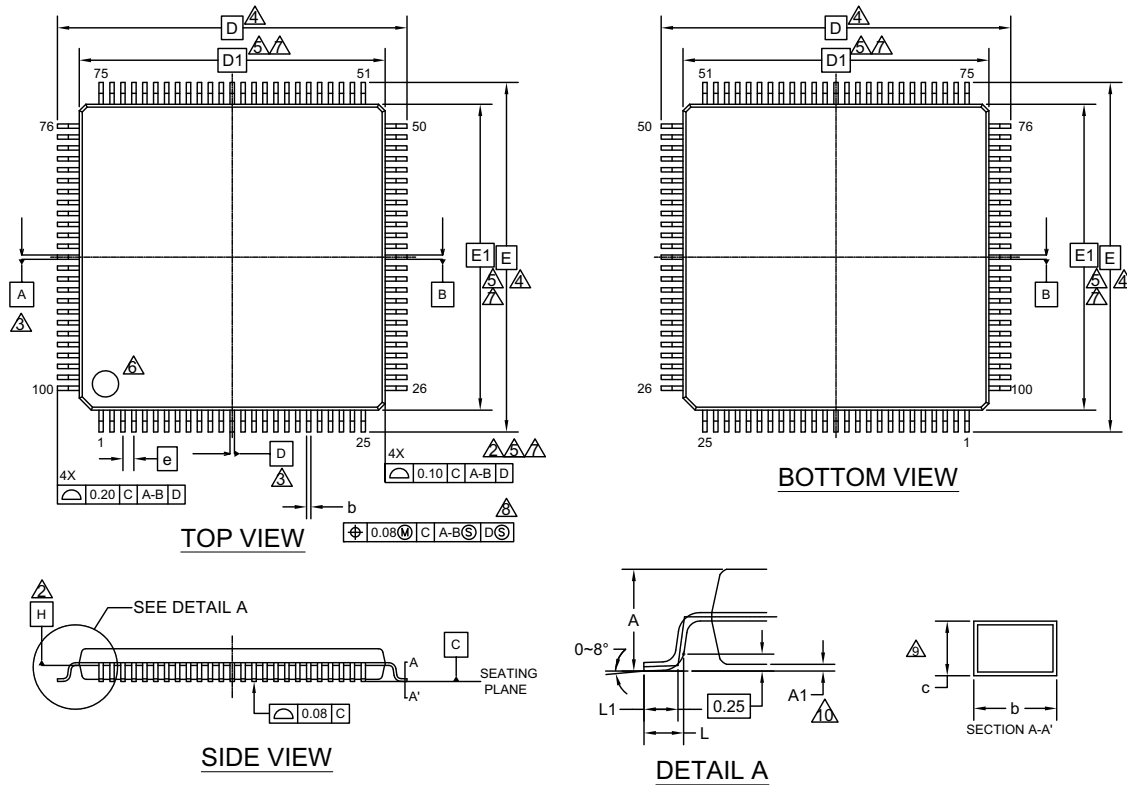
SYMBOL	DIMENSIONS		
	MIN.	NOM.	MAX.
A	—	—	1.70
A1	0.05	—	0.15
b	0.17	0.22	0.27
c	0.09	—	0.20
D	22.00 BSC		
D1	20.00 BSC		
e	0.50 BSC		
E	22.00 BSC		
E1	20.00 BSC		
L	0.45	0.60	0.75
L1	0.30	0.50	0.70

NOTES

- ALL DIMENSIONS ARE IN MILLIMETERS
- DATUM PLANE H IS LOCATED AT THE BOTTOM OF THE MOLD PARTING LINE COINCIDENT WITH WHERE THE LEAD EXITS THE BODY.
- DATUMS A-B AND D TO BE DETERMINED AT DATUM PLANE H.
- DATUMS A-B AND D TO BE DETERMINED AT SEATING PLANE C.
- DIMENSIONS D1 AND E1 DO NOT INCLUDE MOLD PROTRUSION. ALLOWABLE PROTRUSION IS 0.25mm PRE SIDE.
- DIMENSIONS D1 AND E1 INCLUDE MOLD MISMATCH AND ARE DETERMINED AT DATUM PLANE H.
- DETAILS OF PIN 1 IDENTIFIER ARE OPTIONAL BUT MUST BE LOCATED WITHIN THE ZONE INDICATED.
- REGARDLESS OF THE RELATIVE SIZE OF THE UPPER AND LOWER BODY SECTIONS. DIMENSIONS D1 AND E1 ARE DETERMINED AT THE LARGEST FEATURE OF THE BODY EXCLUSIVE OF MOLD FLASH AND GATE BURRS. BUT INCLUDING ANY MISMATCH BETWEEN THE UPPER AND LOWER SECTIONS OF THE MOLDER BODY.
- DIMENSION b DOES NOT INCLUDE DAMBAR PROTRUSION. THE DAMBAR PROTRUSION (⊗) SHALL NOT CAUSE THE LEAD WIDTH TO EXCEED b MAXIMUM BY MORE THAN 0.08mm. DAMBAR CANNOT BE LOCATED ON THE LOWER RADIUS OR THE LEAD FOOT.
- THESE DIMENSIONS APPLY TO THE FLAT SECTION OF THE LEAD BETWEEN 0.10mm AND 0.25mm FROM THE LEAD TIP.
- A1 IS DEFINED AS THE DISTANCE FROM THE SEATING PLANE TO THE LOWEST POINT OF THE PACKAGE BODY.

002-13015 *A

Figure 28-3.100-LQFP Package Outline



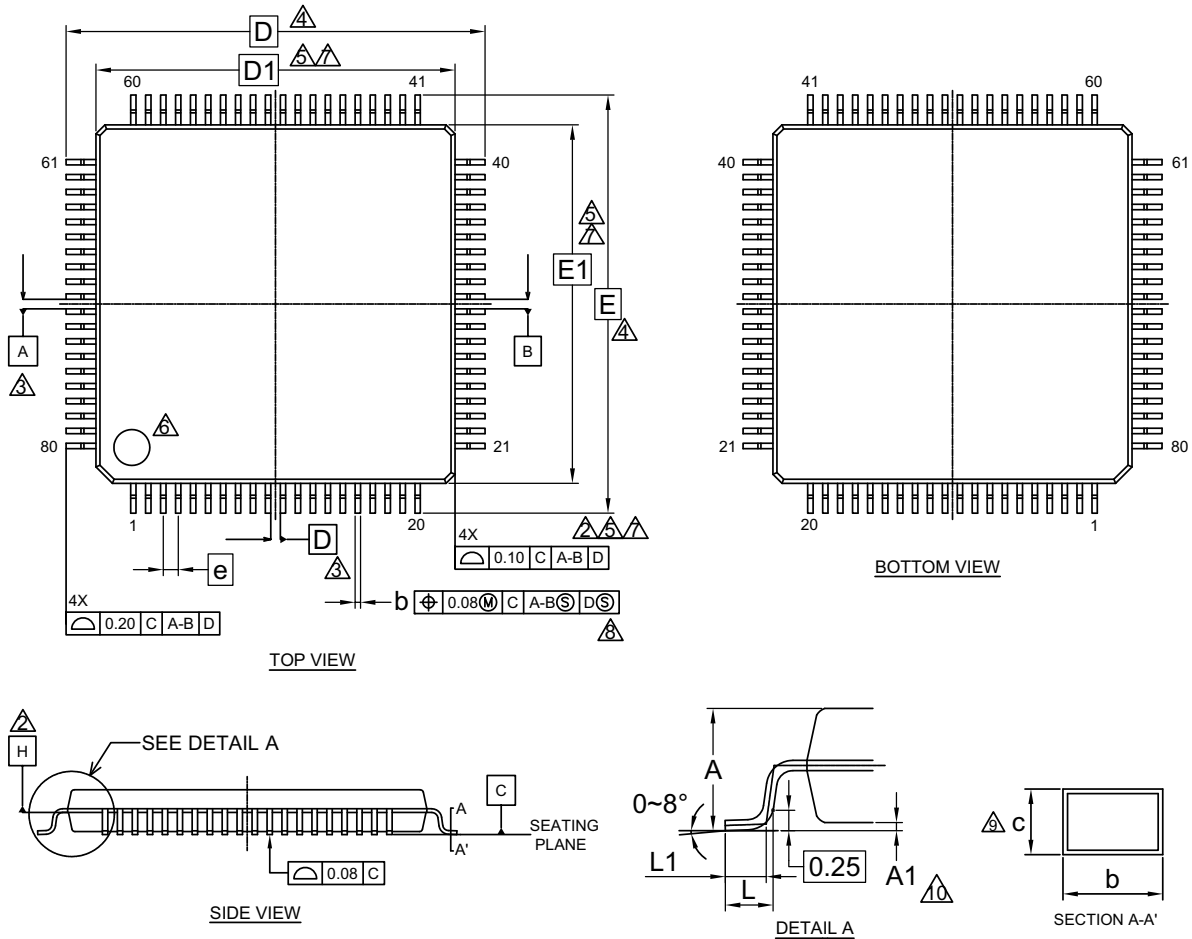
SYMBOL	DIMENSIONS		
	MIN.	NOM.	MAX.
A	—	—	1.70
A1	0.05	—	0.15
b	0.15	—	0.27
c	0.09	—	0.20
D	16.00 BSC		
D1	14.00 BSC		
e	0.50 BSC		
E	16.00 BSC		
E1	14.00 BSC		
L	0.45	0.60	0.75
L1	0.30	0.50	0.70

NOTES :

1. ALL DIMENSIONS ARE IN MILLIMETERS.
1. DATUM PLANE H IS LOCATED AT THE BOTTOM OF THE MOLD PARTING LINE COINCIDENT WITH WHERE THE LEAD EXITS THE BODY.
2. DATUMS A-B AND D TO BE DETERMINED AT DATUM PLANE H.
3. TO BE DETERMINED AT SEATING PLANE C.
4. DIMENSIONS D1 AND E1 DO NOT INCLUDE MOLD PROTRUSION. ALLOWABLE PROTRUSION IS 0.25mm PRE SIDE. DIMENSIONS D1 AND E1 INCLUDE MOLD MISMATCH AND ARE DETERMINED AT DATUM PLANE H.
5. DETAILS OF PIN 1 IDENTIFIER ARE OPTIONAL BUT MUST BE LOCATED WITHIN THE ZONE INDICATED.
6. REGARDLESS OF THE RELATIVE SIZE OF THE UPPER AND LOWER BODY SECTIONS. DIMENSIONS D1 AND E1 ARE DETERMINED AT THE LARGEST FEATURE OF THE BODY EXCLUSIVE OF MOLD FLASH AND GATE BURRS. BUT INCLUDING ANY MISMATCH BETWEEN THE UPPER AND LOWER SECTIONS OF THE MOLDER BODY.
7. DIMENSION b DOES NOT INCLUDE DAMBAR PROTRUSION. THE DAMBAR PROTRUSION (S) SHALL NOT CAUSE THE LEAD WIDTH TO EXCEED b MAXIMUM BY MORE THAN 0.08mm. DAMBAR CANNOT BE LOCATED ON THE LOWER RADIUS OR THE LEAD FOOT.
8. THESE DIMENSIONS APPLY TO THE FLAT SECTION OF THE LEAD BETWEEN 0.10mm AND 0.25mm FROM THE LEAD TIP.
9. A1 IS DEFINED AS THE DISTANCE FROM THE SEATING PLANE TO THE LOWEST POINT OF THE PACKAGE BODY.

002-11500 *A

Figure 28-4.80-LQFP Package Outline



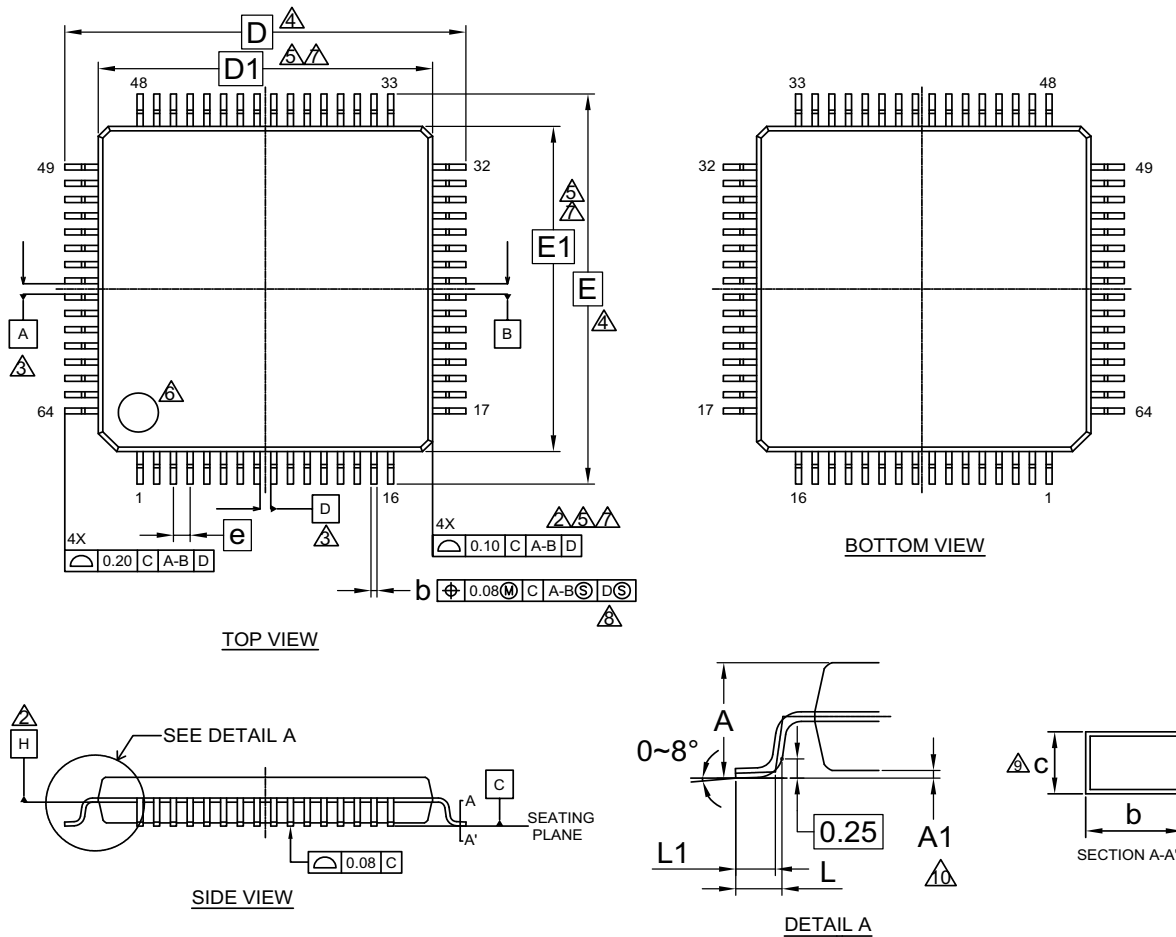
SYMBOL	DIMENSIONS		
	MIN.	NOM.	MAX.
A	—	—	1.70
A1	0.05	—	0.15
b	0.15	—	0.27
c	0.09	—	0.20
D	14.00 BSC.		
D1	12.00 BSC.		
e	0.50 BSC.		
E	14.00 BSC.		
E1	12.00 BSC.		
L	0.45	0.60	0.75
L1	0.30	0.50	0.70

NOTES

- CONTROLLING DIMENSIONS ARE IN MILLIMETERS (mm)
- DATUM PLANE H IS LOCATED AT THE BOTTOM OF THE MOLD PARTING LINE COINCIDENT WITH WHERE THE LEAD EXITS THE BODY.
- DATUMS A-B AND D TO BE DETERMINED AT DATUM PLANE H.
- TO BE DETERMINED AT SEATING PLANE C.
- DIMENSIONS D1 AND E1 DO NOT INCLUDE MOLD PROTRUSION. ALLOWABLE PROTRUSION IS 0.25mm PRE SIDE. DIMENSIONS D1 AND E1 INCLUDE MOLD MISMATCH AND ARE DETERMINED AT DATUM PLANE H.
- DETAILS OF PIN 1 IDENTIFIER ARE OPTIONAL BUT MUST BE LOCATED WITHIN THE ZONE INDICATED.
- REGARDLESS OF THE RELATIVE SIZE OF THE UPPER AND LOWER BODY SECTIONS, DIMENSIONS D1 AND E1 ARE DETERMINED AT THE LARGEST FEATURE OF THE BODY EXCLUSIVE OF MOLD FLASH AND GATE BURRS, BUT INCLUDING ANY MISMATCH BETWEEN THE UPPER AND LOWER SECTIONS OF THE MOLDER BODY.
- DIMENSION b DOES NOT INCLUDE DAMBAR PROTRUSION. THE DAMBAR PROTRUSION (S) SHALL NOT CAUSE THE LEAD WIDTH TO EXCEED b MAXIMUM BY MORE THAN 0.08mm. DAMBAR CANNOT BE LOCATED ON THE LOWER RADIUS OR THE LEAD FOOT.
- THESE DIMENSIONS APPLY TO THE FLAT SECTION OF THE LEAD BETWEEN 0.10mm AND 0.25mm FROM THE LEAD TIP.
- A1 IS DEFINED AS THE DISTANCE FROM THE SEATING PLANE TO THE LOWEST POINT OF THE PACKAGE BODY.

002-11501 **

Figure 28-5.64-LQFP Package Outline



SYMBOL	DIMENSIONS		
	MIN.	NOM.	MAX.
A	—	—	1.70
A1	0.00	—	0.20
b	0.15	—	0.27
c	0.09	—	0.20
D	12.00 BSC.		
D1	10.00 BSC.		
e	0.50 BSC		
E	12.00 BSC.		
E1	10.00 BSC.		
L	0.45	0.60	0.75
L1	0.30	0.50	0.70

NOTES

- ALL DIMENSIONS ARE IN MILLIMETERS.
- DATUM PLANE H IS LOCATED AT THE BOTTOM OF THE MOLD PARTING LINE COINCIDENT WITH WHERE THE LEAD EXITS THE BODY.
- DATUMS A-B AND D TO BE DETERMINED AT DATUM PLANE H.
- TO BE DETERMINED AT SEATING PLANE C.
- DIMENSIONS D1 AND E1 DO NOT INCLUDE MOLD PROTRUSION. ALLOWABLE PROTRUSION IS 0.25mm PRE SIDE. DIMENSIONS D1 AND E1 INCLUDE MOLD MISMATCH AND ARE DETERMINED AT DATUM PLANE H.
- DETAILS OF PIN 1 IDENTIFIER ARE OPTIONAL BUT MUST BE LOCATED WITHIN THE ZONE INDICATED.
- REGARDLESS OF THE RELATIVE SIZE OF THE UPPER AND LOWER BODY SECTIONS, DIMENSIONS D1 AND E1 ARE DETERMINED AT THE LARGEST FEATURE OF THE BODY EXCLUSIVE OF MOLD FLASH AND GATE BURRS, BUT INCLUDING ANY MISMATCH BETWEEN THE UPPER AND LOWER SECTIONS OF THE MOLDER BODY.
- DIMENSION b DOES NOT INCLUDE DAMBAR PROTRUSION. THE DAMBAR PROTRUSION (S) SHALL NOT CAUSE THE LEAD WIDTH TO EXCEED b MAXIMUM BY MORE THAN 0.08mm. DAMBAR CANNOT BE LOCATED ON THE LOWER RADIUS OR THE LEAD FOOT.
- THESE DIMENSIONS APPLY TO THE FLAT SECTION OF THE LEAD BETWEEN 0.10mm AND 0.25mm FROM THE LEAD TIP.
- A1 IS DEFINED AS THE DISTANCE FROM THE SEATING PLANE TO THE LOWEST POINT OF THE PACKAGE BODY.

002-11499 **

29. Appendix

29.1 Bootloading or End-of-line Programming

- Triggered at device startup, if a trigger condition is applied
- Either CAN or LIN communication may be used
- Bootloader polls for the communication on CAN or LIN at separate time frames, until the overall 300-second timeout is reached
- If a bootloader command is received on either communication interface, the polling stops and bootloader starts using this interface

Figure 29-1.Bootloading Sequence

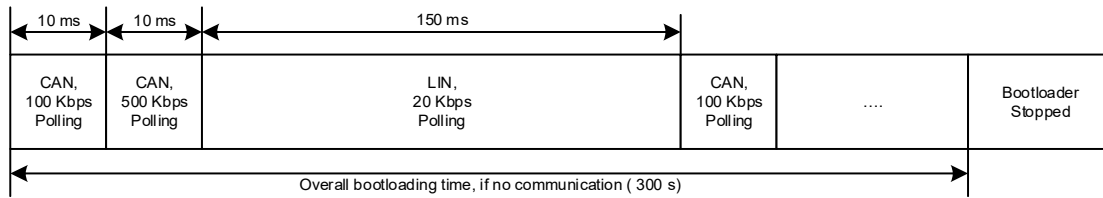


Table 29-1. CAN Interface Details

Sl. No.	CAN Interface	Configuration
1	CAN Mode	Classic CAN
2	CAN Instance	CANFD0_CH1
3	CAN TX	P0.2
4	CAN RX	P0.3
5	CAN Transceiver NSTB	P23.3
6	CAN Transceiver EN	P2.1
7	CAN RX Message ID	0x1A1
8	CAN TX Message ID	0x1B1
9	Baud	100 or 500 kbps alternating

Figure 29-2.MCU to CAN Transceiver Connections

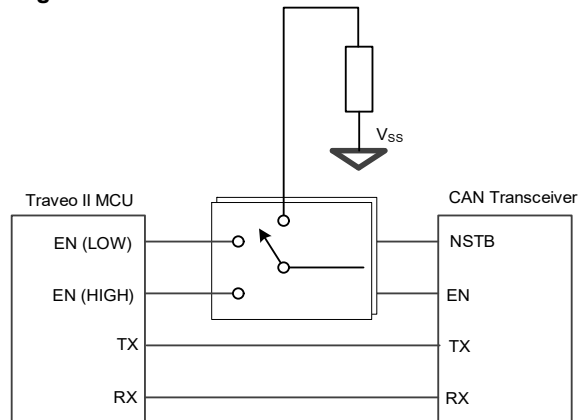
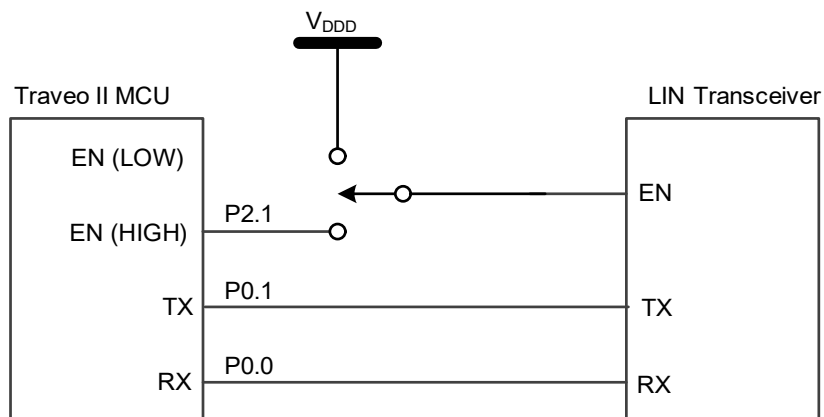


Table 29-2. LIN Interface Details

Sl. No.	LIN Interface	Configuration
1	LIN Type	LIN0_CH1
2	LIN Mode	Slave
3	LIN Checksum Type	Classic
4	LIN TX	P0.1
5	LIN RX	P0.0
6	LIN EN	P2.1
7	LIN TX PID	0x46
8	LIN RX PID	0x45
9	Baud	20 or 115.2 kbps
10	Break Field Length	11
11	Break Delimiter Length	1 bit

Figure 29-3. MCU to LIN Transceiver Connections



29.2 External IP Revisions

Table 29-3. IP Revisions

Module	IP	Revision	Vendor
CANFD	mxttcanfd	M_TTCAN IP revision: Rev.3.2.3	Bosch
Arm Cortex-M0+	armcm0p	Cortex-M0+ AT590-r0p1-00rel0	Arm
Arm Cortex-M4	armcm4	cortexm4_r0p1_00rel0	Arm
Arm Coresight	armcoresighttk	CoreSight-SoC-TM100-r3p2-00rel0	Arm

30. Acronyms

Table 30-1. Acronyms used in the Document

Acronym	Description	Acronym	Description
A/D	Analog to Digital	JTAG	Joint test action group
ABS	Absolute	LDO	Low drop out regulators
ADC	Analog to Digital converter	LIN	Local Interconnect Network, a communications protocol
AES	Advanced encryption standard	LVD	Low voltage detection
AHB	AMBA (advanced microcontroller bus architecture) high-performance bus, Arm data transfer bus	OTA	Over-the-air programming
Arm	Advanced RISC machine, a CPU architecture	OTP	One-time programmable
ASIL	Automotive safety integrity level	OVD	Over voltage detection
BOD	Brown-out detection	P-DMA	Peripheral-Direct Memory Access same as DW
CAN FD	Controller Area Network with Flexible Data rate	PLL	Phase-locked loop
CMOS	Complementary metal-oxide-semiconductor	POR	Power-on reset
CPU	Central Processing Unit	PPU	Peripheral protection unit
CRC	Cyclic redundancy check, an error-checking protocol	PRNG	Pseudorandom number generator
CSV	Clock supervisor	PWM	Pulse-width modulation
CTI	Cross trigger interface	MCU	Microcontroller Unit
DES	Data encryption standard	MCWDT	Multi-counter watchdog timer
DFT	Design-For-Test	M-DMA	Memory-Direct Memory Access
DW	Datavire same as P-DMA	MISO	SPI Master-in slave-out
ECC	Error correcting code/Elliptical curve cryptography	MMIO	Memory mapped I/O
ECO	External crystal oscillator	MOSI	SPI Master-out slave-in
ETM	Embedded Trace Macrocell	MPU	Memory protection unit
EVTGEN	Event Generator	MTB	Micro trace buffer
FLL	Frequency-locked loop	MUL	Multiplier
FPU	Floating point unit	MUX	Multiplexer
GHS	Green Hills tool chain with Multi IDE	NVIC	Nested vectored interrupt controller
GPIO	General purpose input/output	RAM	Random access memory
HSM	Hardware security module	RISC	Reduced-instruction-set computing
I/O	Input/output	ROM	Read only memory
I ² C	Inter-Integrated Circuit, a communications protocol	RSA	Rivest-Shamir-Adleman Public Key Encryption Algorithm
ILO	Internal low-speed oscillator	RTC	Real-time clock
IMO	Internal main oscillator	SAR	Successive approximation register
IOSS	Input/output sub-system	SCB	Serial communication block
IPC	Inter-processor communication	SCL	I ² C serial clock
IrDA	Infrared interface	SDA	I ² C serial data
IRQ	Interrupt request	SECEDED	Single error correction, double error detection

Table 30-1. Acronyms used in the Document *(continued)*

Acronym	Description	Acronym	Description
SHA	Secure hash algorithm	TCPWM	Timer/Counter Pulse-width modulator
SHE	Secure hardware extension	TTL	Transistor-transistor logic
SMPU	Shared memory protection unit	TRNG	True random number generator
SPI	Serial peripheral interface, a communications protocol	UART	Universal Asynchronous Transmitter Receiver
SRAM	Static random access memory	WCO	Watch crystal oscillator
SWD	Serial wire debug	WDT	Watchdog timer reset
SWJ	Serial wire JTAG		

31. Errata

This section describes the errata for the CYT2B7 product family. Details include errata trigger conditions, scope of impact, available workaround, and silicon revision applicability. Contact your local Cypress Sales Representative if you have questions.

Part Numbers Affected

Part Number
All CYT2B7 parts

CYT2B7 Qualification Status

Engineering samples

CYT2B7 Errata Summary

The following table defines the errata applicability to available CYT2B7 family devices. Click on an

Items	Errata ID	CYT2B7	Silicon Rev.	Fix Status
[1.] Crypto LSL1, LSR1, LSL1_WITH_CARRY, & LSR1_WITH_CARRY instructions may work incorrectly in certain scenarios	53	CYT2B73BADQ0AZSGS CYT2B73BADQ0AZEGRS CYT2B73CADQ0AZSGS CYT2B73CADQ0AZEGRS CYT2B74BADQ0AZSGS CYT2B74BADQ0AZEGRS CYT2B74BADQ0AZSGS CYT2B74BADQ0AZEGRS CYT2B74CADQ0AZSGS CYT2B74CADQ0AZEGRS CYT2B75BADQ0AZSGS CYT2B75BADQ0AZEGRS CYT2B75CADQ0AZSGS CYT2B75CADQ0AZEGRS CYT2B77BADQ0AZSGS CYT2B77BADQ0AZEGRS CYT2B77CADQ0AZSGS CYT2B77CADQ0AZEGRS CYT2B78BADQ0AZSGS CYT2B78BADQ0AZEGRS CYT2B78CADQ0AZSGS CYT2B78CADQ0AZEGRS	D	No silicon fix planned. Use workaround.
[2] Crypto MEM_BUF may be corrupted	42			No silicon fix planned. Use workaround.
[3] ConfigureFmInterrupt API assumes a parameter with 8 bytes boundary, but actual boundary is 4 bytes	67			No silicon fix planned. Use workaround.
[4] SMPU/MPU/PPU protection region size is limited to 2 GB	68			No silicon fix planned. Use workaround.
[5] DirectExecute API may return error if called with arguments placed in SRAM memory	69			No silicon fix planned. Use workaround.
[6] CAN FD RX FIFO top pointer feature does not function as expected	96			No silicon fix planned. Use workaround.
[7] CAN FD debug message handling state machine does not reset to Idle state when CANFD_CH_CCCR.INIT is set	97			No silicon fix planned. Use workaround.
[8] TPIU Peripheral ID mismatch	98			No fix planned
[9] Limitation of the memory hole in SCB register space	124			No silicon fix planned. Use workaround
[10] WDT service can be missed	129			No silicon fix planned. Use workaround

1. Crypto LSL1, LSR1, LSL1_WITH_CARRY, & LSR1_WITH_CARRY instructions may work incorrectly in certain scenarios	
Problem Definition	LSL1, LSR1, LSL1_WITH_CARRY, & LSR1_WITH_CARRY instructions should ignore the value in IW[3:0] (shift by 1 instruction does not use these fields). But because of a HW issue, shift does not work if the register data field pointed by IW[3:0] is '0' (destination data is same as source data).
Parameters Affected	NA
Trigger Condition(s)	Using LSL1, LSR1, LSL1_WITH_CARRY, & LSR1_WITH_CARRY instructions
Scope of Impact	The shift does not happen (destination data is same as source data).

Workaround	<p>IW[3:0] should be pointed to a dummy register where the data field of the register is non-zero value (rsrc0->data[12:0]).</p> <p>Since stack pointer(r15) points to a non-zero value (to use the LSL1 instruction you must have allocated at least one register, so that SP will not be zero), it is safe to use r15 as rsrc0.</p> <pre>static __forceinline void LSL1 (int rdst, int rsrc1) { AHB_WRITE_W (MMIO_CRYPTO_INSTR_FF_WR, (CRYPTO_VU_LSL_OPC << 24) (rdst << 12) (rsrc1 << 4) 15); }</pre> <p>This software workaround applies to other instructions such as LSR1, LSL1_WITH_CARRY & LSR1_WITH_CARRY as well.</p>
Fix Status	No silicon fix planned. Use workaround.

2. Crypto MEM_BUF may be corrupted

Problem Definition	The SRAM in the Crypto block is 8 KB but the address decode is wired to create four 8-KB images of the SRAM within a 32-KB address space. Writes to memory space above the initial 8-KB image will corrupt SRAM contents.
Parameters Affected	NA
Trigger Condition(s)	Any write to address between 0x40108000 and 0x4010FFFF
Scope of Impact	CRYPTO MEM_BUF may be corrupted
Workaround	The software should ensure that there is no access beyond 8 KB MEM_BUF address range from either MMIO writes or address overflows while executing CRYPTO operations
Fix Status	No silicon fix planned. Use workaround.

3. ConfigureFmInterrupt API assumes a parameter with 8 bytes boundary, but actual boundary is 4 bytes

Problem Definition	STATUS_ADDR_PROTECTED will be returned if the ConfigureFmInterrupt API is called with arguments stored in SRAM with 4-byte boundary (available SRAM or protected boundary SRAM).
Parameters Affected	NA
Trigger Condition(s)	Call ConfigureFmInterrupt API with arguments stored in SRAM at 4 bytes boundary of available SRAM or protected boundary of SRAM.
Scope of Impact	ConfigureFmInterrupt API will fail by returning STATUS_ADDR_PROTECTED error status when called with argument having 4 bytes boundary of available SRAM or protected boundary of SRAM.
Workaround	Allow 4 bytes margin (that is, assume that the API parameter size is 8 and store the arguments) for ConfigureFmInterrupt API parameter.
Fix Status	No silicon fix planned. Use workaround.

4. SMPU/MPU/PPU protection region size is limited to 2 GB	
Problem Definition	If SMPU/MPU/PPU protection block size is configured for 4 GB (PROT_SMPU_SMPU_STRUCT_ATT0.REGION.SIZE = 31), then during protection check in SROM, the value of the internal uint32 variable will overflow (4G = 0x1 0000 0000). Therefore, SROM assumes the protection size equals zero, and no protection will be applied.
Parameters Affected	NA
Trigger Condition(s)	Configure SMPU/MPU/PPU to protect with region size equal to 4 GB or the region size with value 31u.
Scope of Impact	If SMPU/MPU/PPU is configured to protect region size of 4 GB, then SROM software does not apply any protection as per the request.
Workaround	Use two protection blocks of region size equal to 2 GB if 4-GB region size protection is required.
Fix Status	No silicon fix planned. Use workaround.

5. DirectExecute API may return error if called with arguments placed in SRAM memory	
Problem Definition	If DirectExecute API is called in the master PC (other than PC0 or PC1) with arguments in SRAM_SCRATCH_ADDR, then the API will return STATUS_ADDR_PROTECTED status.
Parameters Affected	NA
Trigger Condition(s)	Call DirectExecute API with arguments in SRAM_SCRATCH_ADDR and master PC configured > 1.
Scope of Impact	DirectExecute API, if called with master PC configured > 1 and arguments in SRAM_SCRATCH_ADDR, the API will return STATUS_ADDR_PROTECTED.
Workaround	Call DirectExecute API with master PC0 or PC1, if arguments are stored in SRAM memory.
Fix Status	No silicon fix planned. Use workaround.

6. CAN FD RX FIFO top pointer feature does not function as expected	
Problem Definition	The RX FIFO top pointer function calculates the address for received messages in Message RAM by hardware. This address should restart back from the start address after reading all messages of RX FIFO n size (n: 0 or 1). However, the address does not restart back from the start address when RX FIFO n size is set to 1 (CANFD_CH_RXFnC.FnS = 0x01). This results in CPU/DMA reading messages from the wrong address in Message RAM.
Parameters Affected	NA
Trigger Condition(s)	RX FIFO top pointer function is used when RX FIFO n size is set to 1 element (CANFD_CH_RXFnC.FnS = 0x01).
Scope of Impact	Received message cannot be correctly read by using the RX FIFO top pointer function, when RX FIFO n size is set to 1 element.
Workaround	Any of the following. 1) Set RX FIFO n size to 2 or more when using the RX FIFO top pointer function. 2) Do not use the RX FIFO top pointer function when RX FIFO n size is set to 1 element. Instead of reading received messages from the RX FIFO top pointer, read directly from the Message RAM.
Fix Status	No silicon fix planned. Use workaround.

7. CAN FD debug message handling state machine does not reset to Idle state when CANFD_CH_CCCR.INIT is set	
Problem Definition	If either of the CANFD_CH_CCCR.INIT bits is set by the Host or when the M_TTCAN module enters BusOff state, the debug message handling state machine stays in its current state instead of being reset to Idle state. Configuring the CANFD_CH_CCCR.CCE bit does not change CANFD_CH_RXF1S.DMS.
Parameters Affected	NA
Trigger Condition(s)	Either of the CANFD_CH_CCCR.INIT bits is set by the Host or when the M_TTCAN module enters BusOff state.
Scope of Impact	The errata is limited to the use case when the Debug on CAN functionality is active. Normal operation of the CAN module is not affected, in which case the debug message handling state machine always remains in Idle state. In the described use case, the debug message handling state machine is stopped and remains in the current state signaled by the CANFD_CH_RXF1S.DMS bit. If CANFD_CH_RXF1S.DMS is set to 0b11, the DMA request remains active.
Workaround	In case the debug message handling state machine stops while CANFD_CH_RXF1S.DMS is 0b01 or 0b10, it can be reset to Idle state by hardware reset or by reception of debug messages after CANFD_CH_CCCR.INIT is reset to zero.
Fix Status	No silicon fix planned. Use workaround.

8. TPIU Peripheral ID mismatch	
Problem Definition	TPIU peripheral ID indicates that it is M3-TPIU instead of M4-TPIU.
Parameters Affected	NA
Trigger Condition(s)	When the debugger reads PID registers for component identification.
Scope of Impact	The only impact is that the debuggers read the TPIU as M3-TPIU.
Workaround	No specific workaround required. Debuggers can use trace features.
Fix Status	No fix planned

9. Limitation of the memory hole in SCB register space	
Problem Definition	The memory hole [offset address: 0x1000 to 0xFFFF] inside the SCB register space is not aligned to the below defined spec. Since the offset address bits [15:12] are ignored and treated as 4'b0000, write/read access to the offset address [0x1000 to 0xFFFF] will actually happen to [0x0000 to 0x0FFF]. - Access to address gaps in mapped memory space: writes are ignored and any read returns a zero.
Parameters Affected	NA
Trigger Condition(s)	Access to the memory hole [offset address: 0x1000 to 0xFFFF] in SCB register space
Scope of Impact	The memory hole [offset address: 0x1000 to 0xFFFF] in the SCB register space is not aligned to other IP registers.
Workaround	Do not access to the memory hole [offset address: 0x1000 to 0xFFFF] in SCB register space.
Fix Status	No fix planned

10. WDT service can be missed	
Problem Definition	If WDT service happens within 4 ILO clock cycles before DeepSleep entry, it clears the counter but does not fully complete an internal handshake. A service after DeepSleep wakeup may then be missed if it occurs less than 2 ILO clock cycles after the processor resumes clocking. After this time, the internal handshake is complete and servicing works normally.
Parameters Affected	NA
Trigger Condition(s)	Service WDT within 4 ILO clock cycles before DeepSleep entry and within 2 ILO clock cycles of processor clock resuming
Scope of Impact	WDT service after DeepSleep wakeup may be ignored and WDT continues counting. This can cause unintended WARN_ACTION or UPPER_ACTION, including interrupt, fault, and/or reset.
Workaround	Wait 130 μ s or more after DeepSleep wakeup. (for example, to measure 130 μ s, software can read WDT_CNT register at wake up and make sure that WDT_CNT was incremented of 4 units before servicing WDT). Afterwards, write '1' to WDT service (WDT_SERVICE.SERVICE) after waiting until WDT service (WDT_SERVICE.SERVICE) reads '0'.
Fix Status	No silicon fix planned. Use workaround.

Document History Page

Document Title: CYT2B7 Datasheet 32-bit Arm® Cortex®-M4F Microcontroller Traveo™ II Family Document Number: 002-18043			
Revision	ECN	Submission Date	Description of Change
**	5443958	02/10/2017	Advance datasheet
*A	5679255	03/31/2017	Extensive rewrite of all sections for better clarity
*B	5879866	09/11/2017	Updated Features . Minor corrections in Features List . Updated Blocks and Functionality . Updated Functional Description . Updated Memory Map to clarify single and dual bank mode functionality. Updated Electrical Specifications . Added the following timing diagrams in Electrical Specifications : Reset, TCPWM, SCB (I ² C, SPI), Crystal Connection Scheme, SAR ADC, System Resources, and JTAG. Updated Ordering Information . Updated Packaging to include two formats: - Without alternate functions - With alternate functions Updated Package Characteristics .
*C	6065588	02/12/2018	Updated Ordering Information . Updated title to "CYT2B5/B7 Datasheet 32-bit Arm® Cortex®-M4F Microcontroller Traveo™ II Family". Updated Electrical Specifications . Updated SPI Diagrams. Added ADC equivalent circuit for analog input.
*D	6323409	09/27/2018	Updated Features List and Peripheral I/O Map . Updated Pin Assignment . Updated Alternate Function Pin Assignments Updated Functional Description . Updated Trigger Multiplexer and Interrupts and Wake-up Assignments . Added General P-DMA descriptions, Clock Dividers, and GPIO power port source information. Updated Clock diagram Added HSIOM Connections Reference table and references to it in alternate pin assignment. Update Electrical Specifications . Updated Design Review. Added Errata .
*E	6636484	07/25/2019	Updated Features , Features List , and Functional Description . Updated Peripheral I/O Map . Updated Alternate Function Pin Assignments Updated Interrupts and Wake-up Assignments and Core Interrupt Types . Updated Trigger Groups and Peripheral Clocks . Updated Peripheral Protection Unit Fixed Structure Pairs . Updated Bus Masters . Updated Miscellaneous Configuration . Updated Reset Sequence, ADC, and SPI Diagrams. Updated Table 26-22 and Table 26-25 . Updated Ordering Information and Packaging . Updated Appendix .

Document Title: CYT2B7 Datasheet 32-bit Arm® Cortex®-M4F Microcontroller Traveo™ II Family			
Document Number: 002-18043			
*F	6739111	11/26/2019	Updated SRAM in CYT2B7 Address Map . Updated PLL and FLL in Functional Description . Updated Programmable PPU and SCB in Peripheral I/O Map . Updated Package Characteristics . Updated affected MPNs in Errata . Updated sample revision in Ordering Information .
*G	6866849	04/23/2020	Added eSHE footnote on page 1. Updated Block Diagram . Updated SCB/UART content in Functional Description . Added note for VCCD in Power Pin Assignments . Added Pin Mux Descriptions . Updated Fault Assignments table with detailed descriptions. Added JTAG ID and package support footnotes in Ordering Information . Removed CM7 from Part Number Nomenclature . Updated Packaging . Updated Errata .
*H	6905699	06/29/2020	Updated Features List . Updated Clock System . Updated Electrical Specifications . Updated Ordering Information . Updated Appendix . For details, refer to Revision History Change Log .

Revision History Change Log

Rev *H Section Updates

Section	Change Description	Current Spec (002-18043 Rev. *G)	New Spec (002-18043 Rev. *H)	Reason for change
1. Features List	Updated CAN in Table 1-1	CAN: 64-LQFP: 5 ch 80-LQFP: 6 ch 100-LQFP: 6 ch 144-LQFP: 6 ch 176-LQFP: 6 ch	CAN (CAN0 / CAN1): 64-LQFP: (3 ch / 2 ch) 80-LQFP: (3ch / 3 ch) 100-LQFP: (3ch / 3 ch) 144-LQFP: (3ch / 3 ch) 176-LQFP: (3ch / 3 ch)	Updated
1. Features List	Updated SCB in Table 1-1	SCB: 64-LQFP: 5 ch 80-LQFP: 6 ch 100-LQFP: 8 ch 144-LQFP: 8 ch 176-LQFP: 8ch	SCB (UART / I2C / SPI): 64-LQFP: (7 ch / 6 ch / 3 ch) 80-LQFP: (8 ch / 6 ch / 6ch) 100-LQFP: (8 ch / 8 ch / 8 ch) 144-LQFP: (8 ch / 8 ch / 8 ch) 176-LQFP: (8 ch / 8 ch / 8 ch)	Correction
1. Features List	Updated Internal low-speed oscillator in Table 1-1	32 kHz (nominal)	32.768 kHz (nominal)	Correction
1. Features List	Added 1.1 Communication Peripheral Instance List and Table 1-2	(none)	Added Section 1.1 Communication Peripheral Instance List and Table 1-2 Peripheral Instance List	New addition
3.2.3 Clock System	Updated ILO Clock Source description	nominally 32 kHz	nominally 32.768 kHz	Correction
27. Ordering Information	Updated note in Table 27.1 CYT2B7 Ordering Information	54. 3DES/VU/SHA-1/SHA-2/SHA-3/CRC (using digital signature verification) features are not supported.	56. 3DES/SHA-1/SHA-2/SHA-3/CRC/Vector unit for asymmetric cryptography features are not supported.	Correction
28. Packaging	Added note in Table 28-2	(none)	63. Maximum value °C/Watt shown is for TA = 125 °C.	New addition
29. Appendix	Added 29.2 External IP Revisions and Table 29-3.	(none)	Added 29.2 External IP Revisions and Table 29-3.	New addition

Rev *H Electrical Specification Updates

Spec ID	Description	Changed Item	Current Spec (Rev. *G)	New Spec (Rev. *H)	Reason for Change
SID39C	The maximum pin current the device can tolerate before triggering a latch-up	Description	Pin current for latch-up	The maximum pin current the device can tolerate before triggering a latch-up	Updated description
SID59A	64-KB SRAM retention, ILO0 operation in DeepSleep mode	Details/ Conditions	DeepSleep Mode (RTC, WDT, and event generator operating, all other peripherals: only retention registers are retained), VDDD = 5.5V, TA = 25 °C, CM0+, CM4: Retained Typ: VDDD = 5.0 V, process typ (TT) Max: VDDD = 5.5 V, process worst (FF)	DeepSleep Mode (RTC, WDT and event generator operating, all other peripherals are off except for retention registers): TA = 25 °C, CM0+, CM4: Retained Typ: VDDD = 5.0 V, process typ (TT) Max: VDDD = 5.5 V, process worst (FF)	Updated condition
SID61A	64-KB SRAM retention, ILO0 operation in DeepSleep mode	Details/ Conditions	DeepSleep Mode steady state at TA = 125 °C (RTC, WDT, and event generator operating, all other peripherals: only retention registers are retained), CM0+, CM4: Retained Typ: VDDD = 5.0 V, process typ (TT) Max: VDDD = 5.5 V, process worst (FF)	DeepSleep Mode steady state at TA = 125 °C (RTC, WDT and event generator operating, all other peripherals are off except for retention registers): CM0+, CM4: Retained Typ: VDDD = 5.0 V, process typ (TT) Max: VDDD = 5.5 V, process worst (FF)	Updated condition
SID80A	ROM boot startup time or wakeup time from hibernate in NORMAL protection state	Details/ Conditions	Guaranteed by Design, FAST_BOOT=1, CM0+ clocked at 100 MHz	Guaranteed by Design, CM0+ clocked at 100 MHz	Updated condition
SID80B	ROM boot startup time or wakeup time from hibernate in SECURE protection state	Details/ Conditions	Guaranteed by Design, FAST_BOOT=1, TOC2_FLAGS=0x2CF, CM0+ clocked at 100 MHz	Guaranteed by Design, TOC2_FLAGS=0x2CF, CM0+ clocked at 100 MHz	Updated condition
SID81A	Flash boot startup time or wakeup time from hibernate in NORMAL/SECURE protection state	Details/ Conditions	Guaranteed by Design, FAST_BOOT=1, TOC2_FLAGS=0x2CF, CM0+ clocked at 100 MHz, Listen window = 0 ms	Guaranteed by Design, TOC2_FLAGS=0x2CF, CM0+ clocked at 100 MHz, Listen window = 0 ms	Updated condition

Rev *H Electrical Specification Updates (continued)

Spec ID	Description	Changed Item	Current Spec (Rev. *G)	New Spec (Rev. *H)	Reason for Change
SID81B	Flash boot with app authentication time in NORMAL/SECURE protection state	Details/Conditions	Guaranteed by Design, FAST_BOOT=1, TOC2_FLAGS=0x2CF, CM0+ clocked at 100MHz, Listen window = 0 ms, App size is 64 KB with the last 256 bytes being a digital signature in RSASSA-PKCS1-v1.5	Guaranteed by Design, TOC2_FLAGS=0x2CF, CM0+ clocked at 100 MHz, Listen window = 0 ms, App size is 64 KB with the last 256 bytes being a digital signature in RSASSA-PKCS1-v1.5	Updated condition
SID670	Input leakage current	Min Max Details/Conditions	Min: -1000 nA Max: 1000 nA Details/Conditions: $V_{DDIO_1} = V_{DDIO_2} = V_{DDD} = V_{DPA} = 5.5 V$, $V_{SSD} < V_I < V_{DDD}$, V_{DDIO_1} , V_{DDIO_2} , $-40^{\circ}C \leq T_A \leq 125^{\circ}C$ This is valid for the Port which do not have ADC input functionality. TYP: $T_A = 25^{\circ}C$, $V_{DDIO_1} = V_{DDIO_2} = V_{DDD} = V_{DPA} = 5.0 V$.	Min: -250 nA Max: 250 nA Details/Conditions: For GPIO_STD except P21.0, P21.1, P21.2, P21.3, P21.4, P23.3, P23.4 $V_{DDIO_1} = V_{DDIO_2} = V_{DDD} = V_{DPA} = 5.5 V$, $V_{SSD} < V_I < V_{DDD}$, V_{DDIO_1} , V_{DDIO_2} , $-40^{\circ}C \leq T_A \leq 125^{\circ}C$, TYP: $T_A = 25^{\circ}C$, $V_{DDIO_1} = V_{DDIO_2} = V_{DDD} = V_{DPA} = 5.0 V$.	Updated spec
SID670C	Input leakage current	All	(none)	Input leakage current for P21.0, P21.1, P21.2, P21.3, P21.4, P23.3, P23.4	Added spec for P21.0, P21.1, P21.2, P21.3, P21.4, P23.3, P23.4
SID670A	Input leakage current	Min Max Details/Conditions	Min: -1000 nA Max: 1000 nA Details/Conditions: $V_{DDD} = V_{DPA} = 5.5 V$, $V_{SSD} < V_I < V_{DDD}$, $-40^{\circ}C \leq T_A \leq 125^{\circ}C$ This is valid for the Port which do not have ADC input functionality. TYP: $T_A = 25^{\circ}C$, $V_{DDD} = V_{DPA} = 5.0 V$.	Min: -350 nA Max: 350 nA Details/Conditions: $V_{DDD} = V_{DPA} = 5.5 V$, $V_{SSD} < V_I < V_{DDD}$, $-40^{\circ}C \leq T_A \leq 125^{\circ}C$ TYP: $T_A = 25^{\circ}C$, $V_{DDD} = V_{DPA} = 5.0 V$.	Updated spec
SID115	Analog Input leakage current	Typ	TBD	70 nA	Updated spec
SID115A	Analog Input leakage current	All	Analog Input leakage current	(none)	Removed spec (SID670 can be used)
SID200	Temperature Sensor accuracy 1	Min Max Details/Conditions	Min: - Max: TBD Details/Conditions: $T_J = 150^{\circ}C$	Min: -2 °C Max: 2 °C Details/Conditions: $T_J = 150^{\circ}C$ This spec is valid for the following conditions: a. $3.0 V \leq V_{DDD} = V_{DPA} = V_{REFH} \leq 3.6 V$ or b. $4.5 V \leq V_{DDD} = V_{DPA} = V_{REFH} \leq 5.5 V$	Updated spec
SID201	Temperature Sensor accuracy 2	Min Max Details/Conditions	Min: - Max: TBD Details/Conditions: $-40^{\circ}C \leq T_J < 125^{\circ}C$	Min: -5 °C Max: 5 °C Details/Conditions: $-40^{\circ}C \leq T_J < 150^{\circ}C$ This spec is valid for the following conditions: a. $3.0 V \leq V_{DDD} = V_{DPA} = V_{REFH} \leq 3.6 V$ or b. $4.5 V \leq V_{DDD} = V_{DPA} = V_{REFH} \leq 5.5 V$	Updated spec
SID201A	Temperature Sensor accuracy 3	All	(none)	Temperature Sensor accuracy 3	Added spec
SID219	SPI Capacitive Load for SPI Interface Slave (internally clocked)	Parameter	C _{SPIM_INT}	C _{SPIS_INT}	Fixed parameter name
SID223	SPI Slave: Previous MISO data hold time for SPI Interface Slave (externally clocked)	Parameter	t _{HSP}	t _{HSO_EXT}	Fixed parameter name
SID230	SPI Capacitive Load for SPI Interface Slave (externally clocked)	Parameter	C _{SPIM_EXT}	C _{SPIS_EXT}	Fixed parameter name
SID332	Feedback resistor value	All	(None)	Feedback resistor value	Added spec
SID334	4 MHz ECO startup time	Note	(none)	Note: [51] Mainly depends on the external crystal.	Added note
SID335	33 MHz ECO startup time	Note	(none)	Note: [51] Mainly depends on the external crystal.	Added note
SID336	ECO amplifier operating point	All	ECO amplifier operating point	(none)	Removed spec

Rev *H Electrical Specification Updates (continued)

Spec ID	Description	Changed Item	Current Spec (Rev. *G)	New Spec (Rev. *H)	Reason for Change
SID362	WCO start up time	Note Details/ Conditions	(none)	Note: [53] Mainly depends on the external crystal. Details/Conditions: For Grade-S devices	Added note and condition
SID362E	WCO start up time	All	(none)	WCO start up time for Grade-E devices	Added spec for Grade-E devices
SID363	WCO current	Min Typ Max	Min: 1 μ A Typ: 4 μ A Max: 8 μ A	Min: - Typ: 1.4 μ A Max: -	Updated spec
SID364	WCO amplifier operating point	All	WCO amplifier operating point	(none)	Removed spec
SID410	Minimum MCWDT timeout	Details/ Conditions	When using the ILO (32 kHz + 5 %) and 16-bit MCWDT counter. Guaranteed by Design.	When using the ILO (32.768 kHz + 5 %) and 16-bit MCWDT counter. Guaranteed by Design.	Updated condition
SID411	Maximum MCWDT timeout	Details/ Conditions	When using the ILO (32 kHz - 5 %) and 16-bit MCWDT counter. Guaranteed by Design.	When using the ILO (32.768 kHz - 5 %) and 16-bit MCWDT counter. Guaranteed by Design.	Updated condition
SID412	Minimum WDT timeout	Details/ Conditions	When using the ILO (32 kHz + 5 %) and 32-bit WDT counter. Guaranteed by Design.	When using the ILO (32.768 kHz + 5 %) and 32-bit WDT counter. Guaranteed by Design.	Updated condition
SID413	Maximum WDT timeout	Details/ Conditions	When using the ILO (32 kHz - 5 %) and 32-bit WDT counter. Guaranteed by Design.	When using the ILO (32.768 kHz - 5 %) and 32-bit WDT counter. Guaranteed by Design.	Updated condition

Sales, Solutions, and Legal Information

Worldwide Sales and Design Support

Cypress maintains a worldwide network of offices, solution centers, manufacturer's representatives, and distributors. To find the office closest to you, visit us at [Cypress Locations](#).

Products

Arm® Cortex® Microcontrollers	cypress.com/arm
Automotive	cypress.com/automotive
Clocks & Buffers	cypress.com/clocks
Interface	cypress.com/interface
Internet of Things	cypress.com/iot
Memory	cypress.com/memory
Microcontrollers	cypress.com/mcu
PSoC	cypress.com/psoc
Power Management ICs	cypress.com/pmic
Touch Sensing	cypress.com/touch
USB Controllers	cypress.com/usb
Wireless Connectivity	cypress.com/wireless

PSoC® Solutions

[PSoC 1](#) | [PSoC 3](#) | [PSoC 4](#) | [PSoC 5LP](#) | [PSoC 6 MCU](#)

Cypress Developer Community

[Community](#) | [Projects](#) | [Video](#) | [Blogs](#) | [Training](#) | [Components](#)

Technical Support

cypress.com/support

The information in this document is subject to change without notice and should not be construed as a commitment by Cypress Semiconductor Corporation. Cypress Semiconductor assumes no responsibility for any errors that may appear in this document. In no event shall Cypress Semiconductor be liable for incidental or consequential damages arising from use of this document or the software and hardware described in this document.

© Cypress Semiconductor Corporation, 2017-2020. This document is the property of Cypress Semiconductor Corporation and its subsidiaries, including Spansion LLC ("Cypress"). This document, including any software or firmware included or referenced in this document ("Software"), is owned by Cypress under the intellectual property laws and treaties of the United States and other countries worldwide. Cypress reserves all rights under such laws and treaties and does not, except as specifically stated in this paragraph, grant any license under its patents, copyrights, trademarks, or other intellectual property rights. If the Software is not accompanied by a license agreement and you do not otherwise have a written agreement with Cypress governing the use of the Software, then Cypress hereby grants you a personal, non-exclusive, nontransferable license (without the right to sublicense) (1) under its copyright rights in the Software (a) for Software provided in source code form, to modify and reproduce the Software solely for use with Cypress hardware products, only internally within your organization, and (b) to distribute the Software in binary code form externally to end users (either directly or indirectly through resellers and distributors), solely for use on Cypress hardware product units, and (2) under those claims of Cypress's patents that are infringed by the Software (as provided by Cypress, unmodified) to make, use, distribute, and import the Software solely for use with Cypress hardware products. Any other use, reproduction, modification, translation, or compilation of the Software is prohibited.

TO THE EXTENT PERMITTED BY APPLICABLE LAW, CYPRESS MAKES NO WARRANTY OF ANY KIND, EXPRESS OR IMPLIED, WITH REGARD TO THIS DOCUMENT OR ANY SOFTWARE OR ACCOMPANYING HARDWARE, INCLUDING, BUT NOT LIMITED TO, THE IMPLIED WARRANTIES OF MERCHANTABILITY AND FITNESS FOR A PARTICULAR PURPOSE. No computing device can be absolutely secure. Therefore, despite security measures implemented in Cypress hardware or software products, Cypress does not assume any liability arising out of any security breach, such as unauthorized access to or use of a Cypress product. In addition, the products described in these materials may contain design defects or errors known as errata which may cause the product to deviate from published specifications. To the extent permitted by applicable law, Cypress reserves the right to make changes to this document without further notice. Cypress does not assume any liability arising out of the application or use of any product or circuit described in this document. Any information provided in this document, including any sample design information or programming code, is provided only for reference purposes. It is the responsibility of the user of this document to properly design, program, and test the functionality and safety of any application made of this information and any resulting product. Cypress products are not designed, intended, or authorized for use as critical components in systems designed or intended for the operation of weapons, weapons systems, nuclear installations, life-support devices or systems, other medical devices or systems (including resuscitation equipment and surgical implants), pollution control or hazardous substances management, or other uses where the failure of the device or system could cause personal injury, death, or property damage ("Unintended Uses"). A critical component is any component of a device or system whose failure to perform can be reasonably expected to cause the failure of the device or system, or to affect its safety or effectiveness. Cypress is not liable, in whole or in part, and you shall and hereby do release Cypress from any claim, damage, or other liability arising from or related to all Unintended Uses of Cypress products. You shall indemnify and hold Cypress harmless from and against all claims, costs, damages, and other liabilities, including claims for personal injury or death, arising from or related to any Unintended Uses of Cypress products.

Cypress, the Cypress logo, Spansion, the Spansion logo, and combinations thereof, WICED, PSoC, CapSense, EZ-USB, F-RAM, and Traveo are trademarks or registered trademarks of Cypress in the United States and other countries. For a more complete list of Cypress trademarks, visit cypress.com. Other names and brands may be claimed as property of their respective owners.